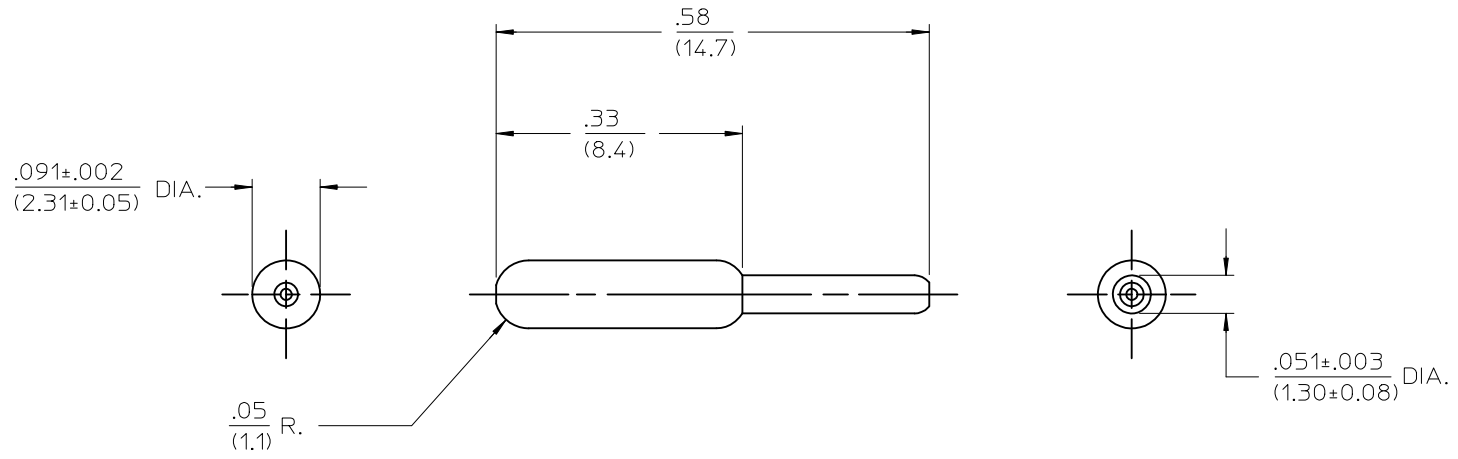


10 9 8 7 6 5 4 3 2 1



REDWIRE DRAIN HOLE EC NO: UCP2004-2212 DRW:RHOLTS 2004/06/17 CHKD:FSMITH APPR:FSMITH	DESCRIPTION 2011/09/14	QUALITY SYMBOLS	GENERAL TOLERANCES (UNLESS SPECIFIED)		DIMENSION STYLE IN/MM		SCALE 6:1	DESIGN UNITS INCH	THIRD ANGLE PROJECTION
		$\nabla = 0$ $\nabla = 0$ $\nabla = 0$	mm      INCH 4 PLACES ± --- ± --- 3 PLACES ± --- ± .010 2 PLACES ± 0.25 ± .014 1 PLACE ± 0.36 ± ---	DRAWN BY GWC	DATE 1992/01/03	TITLE TERMINAL, PIN & SOCKET P.C. TAIL, FOR .093 SERIES HEADERS			
		ANGULAR ± 1/2°		CHECKED BY RW	DATE 1992/01/03	MOLEX INCORPORATED			
		DRAFT WHERE APPLICABLE MUST REMAIN WITHIN DIMENSIONS		APPROVED BY FSMITH	DATE 2011/09/14	MATERIAL NO. SEE CHART	DOCUMENT NO. SD-1840-*	SHEET NO. 1 OF 2	

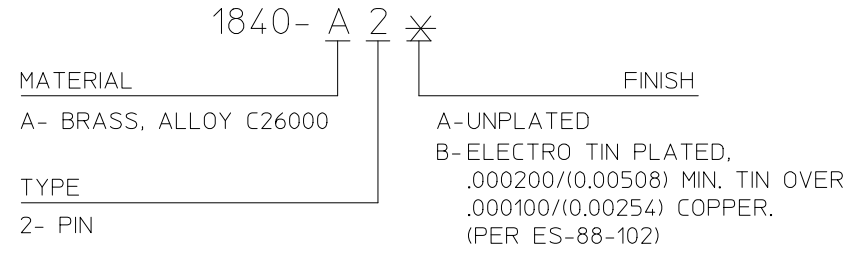
9 8 7 6 5 4 3 2 1

PART NO.	ENG. NO.	MATERIAL	TYPE	FINISH
16-06-0052	1840-A2A	A	2	A
16-06-0002	1840-A2B	A	2	B

# LEGEND

NOTES:

1. MATERIAL: SEE LEGEND
2. FINISH: SEE LEGEND
3. PRODUCT SPECIFICATION: N/A
4. PACKAGING SPECIFICATION: N/A
5. THESE TERMINALS ARE USED FOR BOTH THE 1840 AND 3099 ASSEMBLIES.



SEE SHEET ONE EC NO: UCP2004-2212 DRAWN BY: DRW:RHOLTS 2004/06/17 CHKD: FSMITH APPR: FSMITH 2011/09/14	QUALITY SYMBOLS	GENERAL TOLERANCES (UNLESS SPECIFIED)		DIMENSION STYLE	SCALE	DESIGN UNITS	THIRD ANGLE PROJECTION
	$\nabla=0$	mm	INCH	IN/MM	1:1	INCH	
	$\nabla=0$	4 PLACES ± ---	± ---	DRAWN BY DATE	TITLE TERMINAL, PIN & SOCKET P.C. TAIL, FOR .093 SERIES HEADERS		
	$\nabla=0$	3 PLACES ± ---	± .010	GWC 1992/01/03			
$\nabla=0$	2 PLACES ± 0.25	± .014	CHECKED BY DATE	MATERIAL NO. SEE CHART			
	1 PLACE ± 0.36	± ---	RW 1992/01/03				
	ANGULAR ± 1/2°	APPROVED BY DATE		DOCUMENT NO.		SHEET NO.	
		FSMITH 2011/09/14		SD-1840-*		2 OF 2	
		DRAFT WHERE APPLICABLE MUST REMAIN WITHIN DIMENSIONS		THIS DRAWING CONTAINS INFORMATION THAT IS PROPRIETARY TO MOLEX INCORPORATED AND SHOULD NOT BE USED WITHOUT WRITTEN PERMISSION			