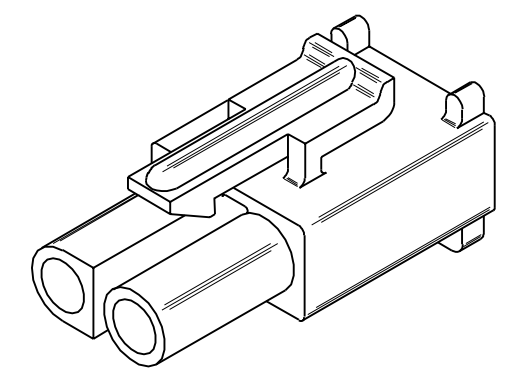
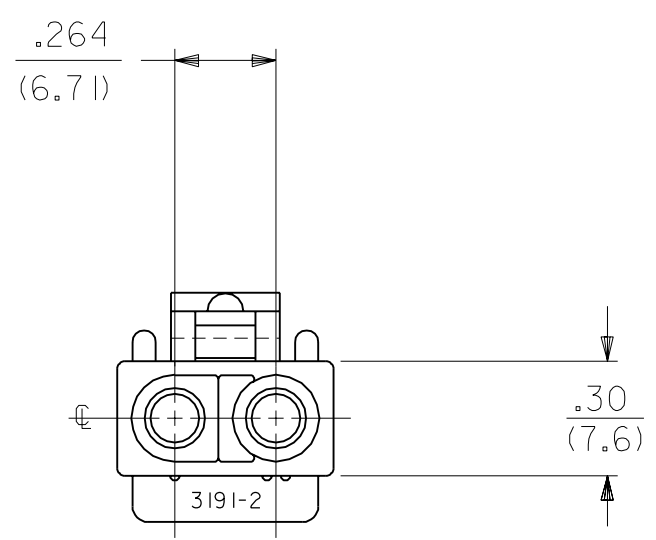
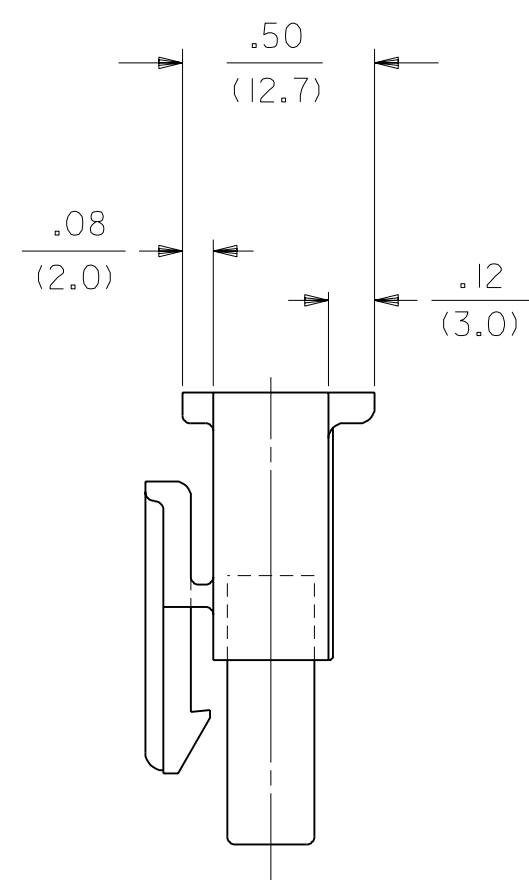
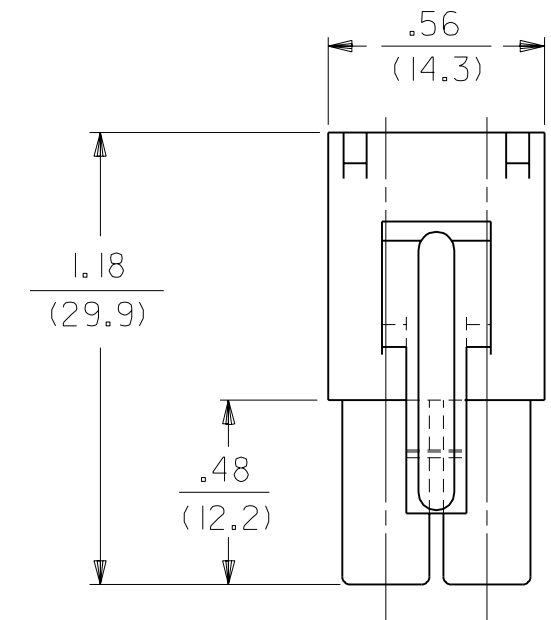
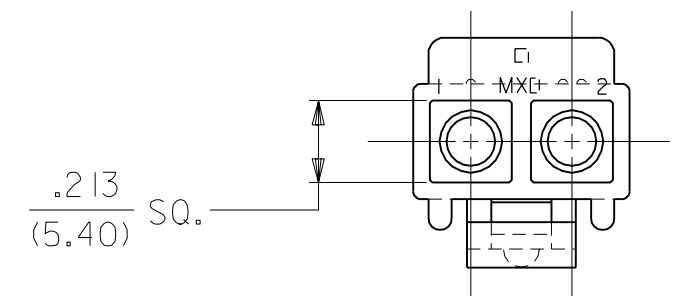


13 12 11 10 9 8 7 6 3191 4 3 2 1



RECEPTACLE

DIMENSIONS SHOWN (METRIC) INCH
UNLESS OTHERWISE SPECIFIED
TOLERANCES: ANGULAR ± 1/2°

	INCH	METRIC
3 PLACE	± .010	---
2 PLACE	± .014	± 0.25
1 PLACE	---	± 0.35

DRAFT WHERE APPLICABLE MUST
REMAIN WITHIN DIMENSIONS

▽ =	▼ =	REVISE ONLY ON CAD SYSTEM
TITLE .093/(2.36) HOUSING, PLUG AND RECEPTACLE, 2 CKT., .264/(6.70) CTRS.		
MOLEX INCORPORATED LITSE, ILL. 60532 U.S.A.		SHEET NO. 2 DATE 11/21/88
PART NO. SEE CHART		DRWG. NO. SD-3191-2*

DRWG. BY: GEP	CHK'D. BY: RW	D	SEE SHT. 1
APP'D. BY: RAS	SCALE: 2 : 1	LTR.	REVISIONS

THIS DRAWING CONTAINS INFORMATION THAT IS PROPRIETARY TO MOLEX INC. AND SHOULD NOT BE USED WITHOUT WRITTEN PERMISSION.

13 12 11 10 9 8 7 6 5 4 3 2 NO P.S. 1

