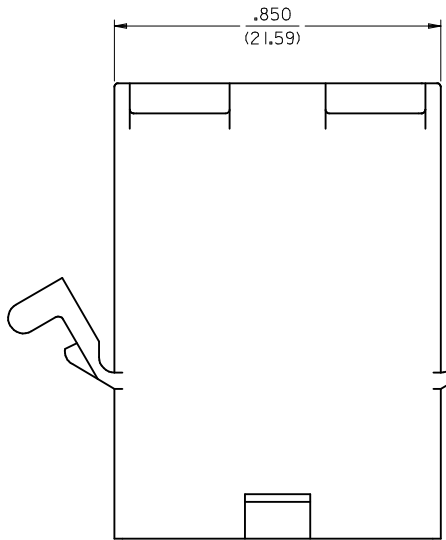
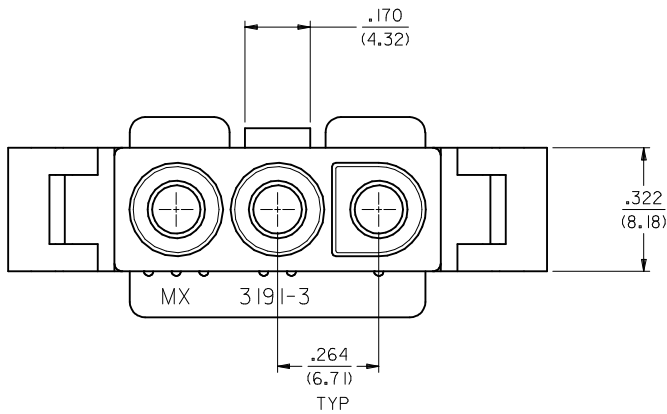


.215  
(5.46) SQ, TYP

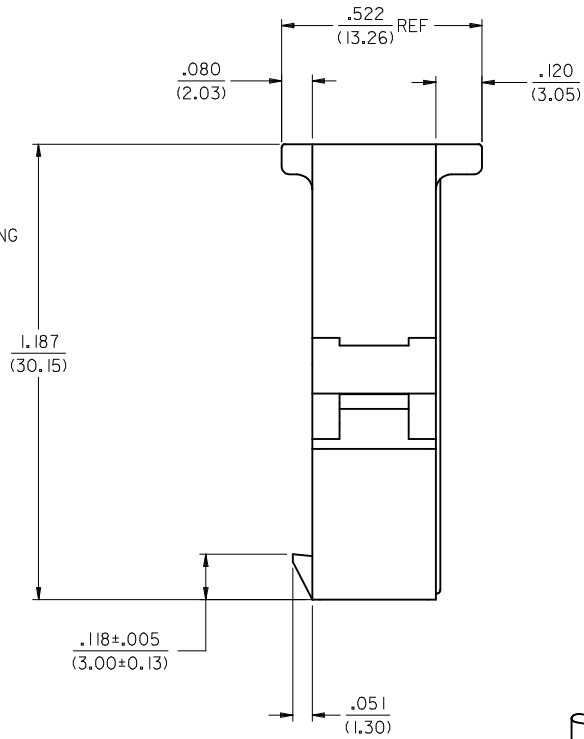


OPTIONAL MOUNTING  
EARS, 2 PL, SEE  
DETAIL "A", SHT 3

.390  
(9.91)

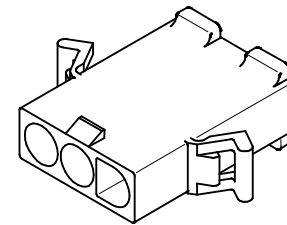


.264  
(6.71)  
TYP



.118±.005  
(3.00±0.13)

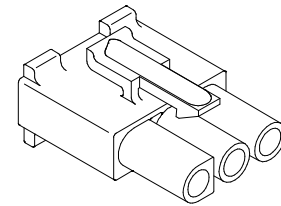
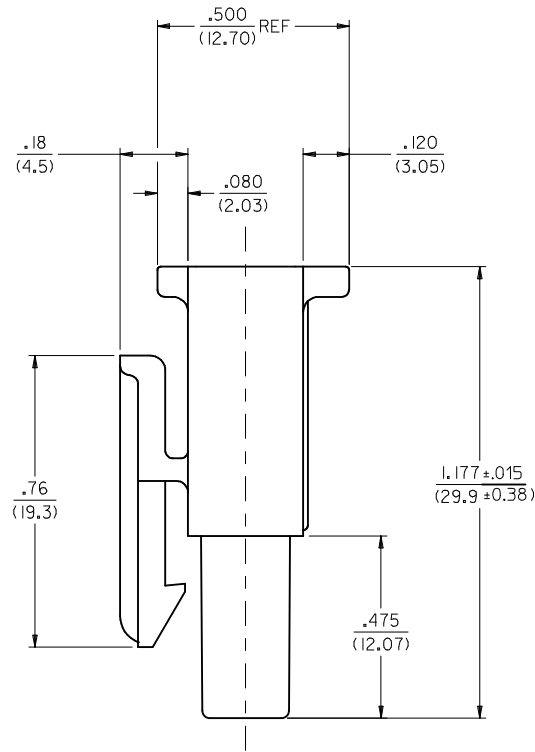
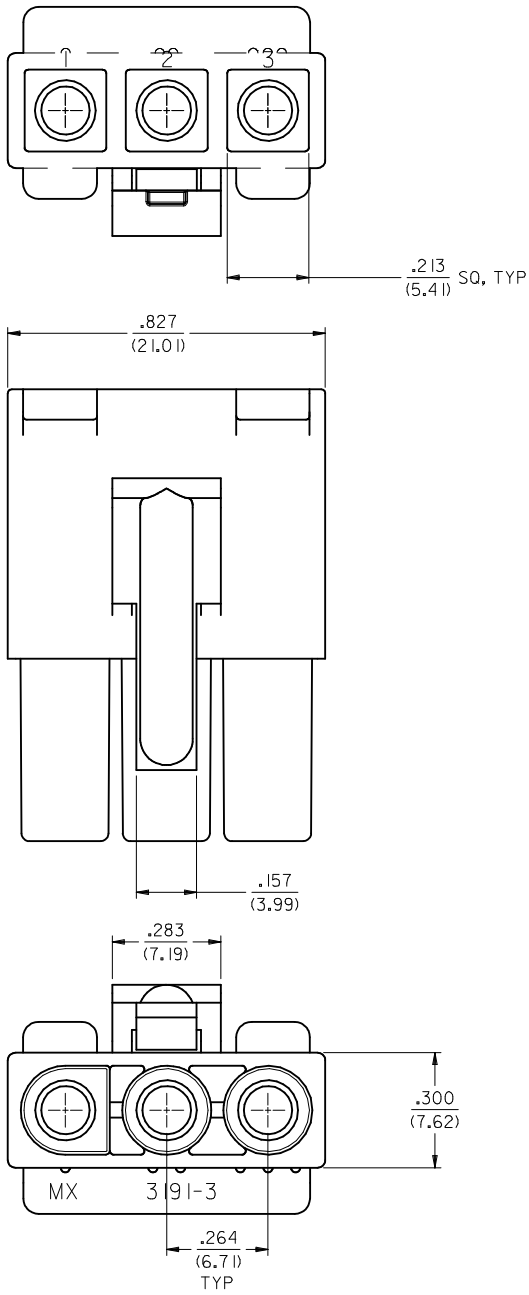
.051  
(1.30)



**PLUG**

3	L2
2	L2
1	L2
SHT. REV.	

<b>UPDATE REV. LEVELS</b> EC NO: UCP2014-2106 DRW: AELHAG 2013/11/12 CHKD: JELL 2013/11/12 APPR: FSMITH 2013/11/13	QUALITY SYMBOLS ▽=0 ▽=0	GENERAL TOLERANCES (UNLESS SPECIFIED)		DIMENSION STYLE <b>IN/MM</b>	SCALE <b>4:1</b>	DESIGN UNITS <b>INCH</b>	THIRD ANGLE PROJECTION
		4 PLACES ± --- ± --- 3 PLACES ± --- ± .010 2 PLACES ± 0.25 ± .015 1 PLACE ± 0.38 ± ---	DRAWN BY GWC	DATE 1996/01/08	TITLE <b>.093/(2.36) HOUSING          PLUG AND RECEPTACLE,          3 CKT .264/(6.71) CTRS.</b>		
		ANGULAR ± 1/2°	CHECKED BY RW	DATE 1996/01/08	MOLEX INCORPORATED		
		DRAFT WHERE APPLICABLE MUST REMAIN WITHIN DIMENSIONS	APPROVED BY RAS	DATE 1996/01/08	MATERIAL NO. <b>SEE CHART</b>	DOCUMENT NO. <b>SD-3191-3*</b>	
L2	REV	SIZE <b>C</b>		THIS DRAWING CONTAINS INFORMATION THAT IS PROPRIETARY TO MOLEX INCORPORATED AND SHOULD NOT BE USED WITHOUT WRITTEN PERMISSION			



RECEPTACLE

REMOVE DIM. 28.75 EC NO: UCP2014-2106 DRW: AELHAG 2013/11/12 CHKD: JELL 2013/11/12 APPR: FSMITH 2013/11/13 L2	QUALITY SYMBOLS ▽=0 ▽=0	GENERAL TOLERANCES (UNLESS SPECIFIED)		DIMENSION STYLE <b>IN/MM</b>	SCALE <b>4:1</b>	DESIGN UNITS <b>INCH</b>	THIRD ANGLE PROJECTION		
		4 PLACES ± --- ± --- 3 PLACES ± --- ± .010 2 PLACES ± 0.25 ± .015 1 PLACE ± 0.38 ± ---	mm INCH INCH mm	DRAWN BY GWC	DATE 1996/01/08	TITLE <b>.093/(2.36) HOUSINGS, PLUG AND RECEPTACLE, 3 CKT .264/(6.71) CTRS.</b>			
		ANGULAR ± 1/2°		CHECKED BY RW	DATE 1996/01/08	MOLEX INCORPORATED			
		DRAFT WHERE APPLICABLE MUST REMAIN WITHIN DIMENSIONS		APPROVED BY RAS	DATE 1996/01/08	MATERIAL NO. <b>SEE CHART</b>	DOCUMENT NO. <b>SD-3191-3*</b>	SHEET NO. <b>2 OF 3</b>	

PLUG	
PART NO.	ENG. NO.
I9-09-2038	3191-3P
I9-09-2039	3191-3PI
I9-09-2037	3191-3P-201
I9-09-2036	3191-3PI-201
I9-09-1038	3191-3PIRD OBSOLETE
I9-09-3032	3191-3PRD OBSOLETE
I9-09-3033	3191-3PBU

RECEPTACLE	
PART NO.	ENG. NO.
I9-09-1039	3191-3RI
I9-09-1036	3191-3RI-201
I9-09-3030	3191-3RIRD OBSOLETE
I9-09-5039	3191-3RI-2

**LEGEND**

3191-3\*\*\*\*-\*

CIRCUIT SIZE

P = PLUG  
R = RECEPTACLE

EARS: BLANK = WITH PREBENT EARS (PLUG ONLY)  
I = WITHOUT EARS

**NOTES:**

1. MATERIAL: SEE LEGEND
2. FINISH: NONE
3. PRODUCT SPECIFICATION: PS-02-08
4. PACKAGING SPECIFICATION: PK-3191-001
5. PARTS CONFORM TO CLASS B REQUIREMENTS OF COSMETIC SPECIFICATION PS-45499-002.

**COLOR:**

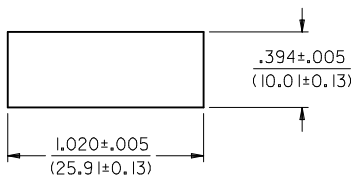
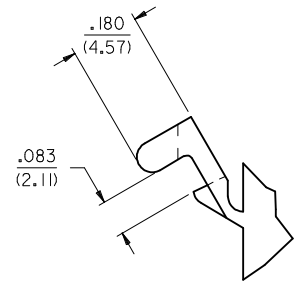
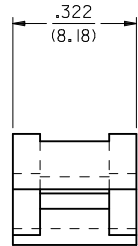
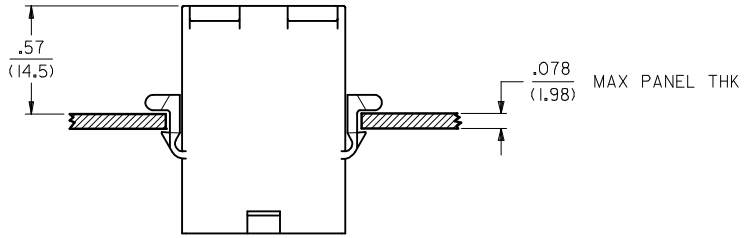
BLANK = NATURAL COLOR

AM=AMBER BK=BLACK BU=BLUE  
BN=BROWN GY=GRAY GN=GREEN  
OR=ORANGE RD=RED YW=YELLOW

COLORS AVAILABLE ONLY IN 94V-2 MATERIAL

**MATERIAL:**

BLANK=NYLON TYPE 6/6,94V-2  
2 = NYLON TYPE PA66, 94V-0  
201=NYLON TYPE 6/6, 94V-0



RECOMMENDED HOLE CUTOUT

**DETAIL "A"**

PREBENT MOUNTING EAR  
(SCALE 4:1)

UPDATE REV. LEVEL EC NO: UCP2014-2106 DRWNAELHAG 2013/11/12 CHKD: APPR:FSMLTH 2013/11/13 REV:	QUALITY SYMBOLS	GENERAL TOLERANCES (UNLESS SPECIFIED) <table border="1"> <tr><th></th><th>mm</th><th>INCH</th></tr> <tr><td>4 PLACES</td><td>± .010</td><td>± .0004</td></tr> <tr><td>3 PLACES</td><td>± .015</td><td>± .0006</td></tr> <tr><td>2 PLACES</td><td>± 0.25</td><td>± .010</td></tr> <tr><td>1 PLACE</td><td>± 0.38</td><td>± .015</td></tr> </table>		mm	INCH	4 PLACES	± .010	± .0004	3 PLACES	± .015	± .0006	2 PLACES	± 0.25	± .010	1 PLACE	± 0.38	± .015	DIMENSION STYLE	SCALE	DESIGN UNITS	THIRD ANGLE PROJECTION
			mm	INCH																	
	4 PLACES	± .010	± .0004																		
	3 PLACES	± .015	± .0006																		
2 PLACES	± 0.25	± .010																			
1 PLACE	± 0.38	± .015																			
▽=0 ▽=0	IN/MM 2:1 INCH	DRAWN BY DATE GWC 1996/01/08 CHECKED BY DATE RW 1996/01/08 APPROVED BY DATE RAS 1996/01/08	TITLE .093/(2.36) HOUSINGS, PLUG AND RECEPTACLE, 3 CKT .264/(6.71) CTRS.	MOLEX INCORPORATED	SHEET NO. 3 OF 3																
DRAFT WHERE APPLICABLE MUST REMAIN WITHIN DIMENSIONS	SEE CHART	MATERIAL NO. SD-3191-3*	DOCUMENT NO.	THIS DRAWING CONTAINS INFORMATION THAT IS PROPRIETARY TO MOLEX INCORPORATED AND SHOULD NOT BE USED WITHOUT WRITTEN PERMISSION																	