

PLUG

M	3	M		
J	2	J		
M	1	MI		
MFG.	SH.	REV.	LTR.	REVISIONS

DIMENSIONS SHOWN (METRIC) INCH
UNLESS OTHERWISE SPECIFIED TOLERANCES: ANGULAR ± 10°

	INCH	METRIC
3 PLACE	± .010	---
2 PLACE	± .014	± 0.25
1 PLACE	---	± 0.36

DRAFT WHERE APPLICABLE MUST REMAIN WITHIN DIMENSIONS

DRWG. BY: *JUS* CHK'D. BY: RW
APP'D. BY: RAS SCALE: 2 : 1

FILE NAME: S31916X1 DGN

TITLE: **.093/(2.36) HOUSING PLUG AND RECEPTACLE 6 CKT. .264/(6.70) CTRS.**

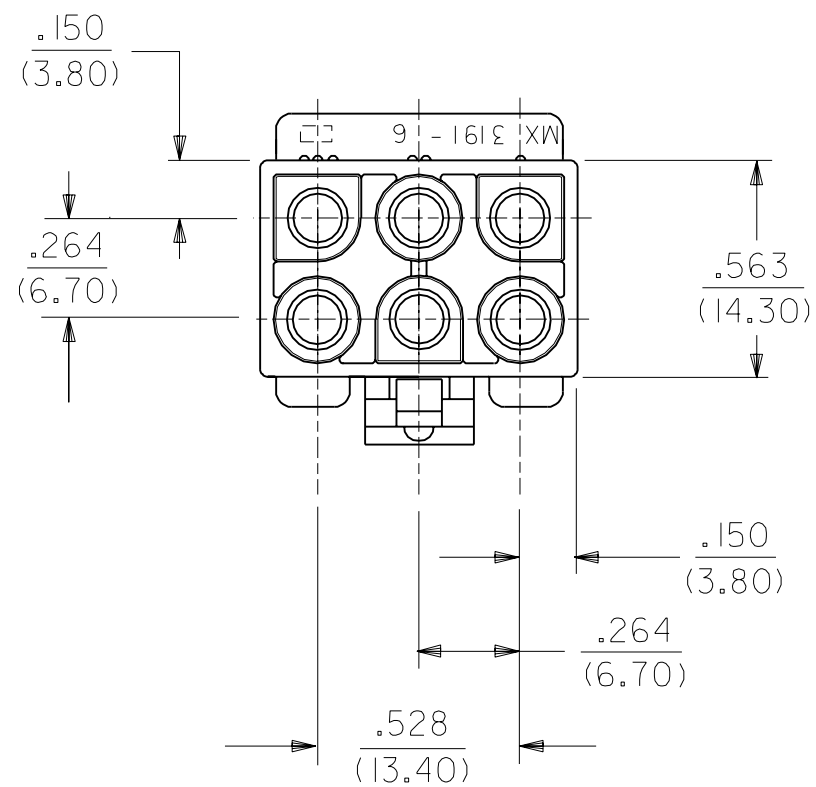
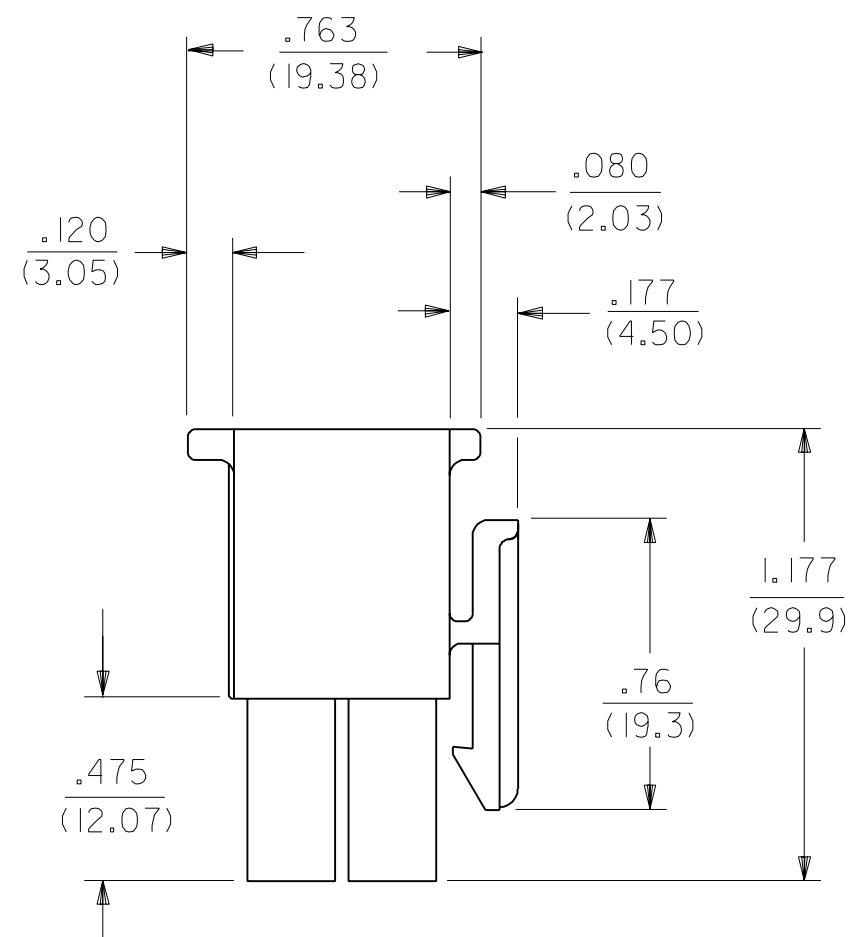
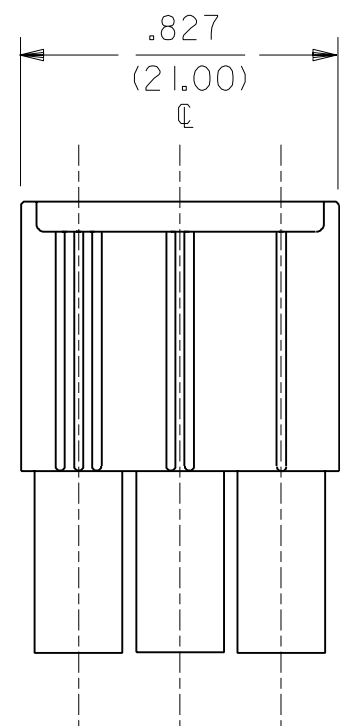
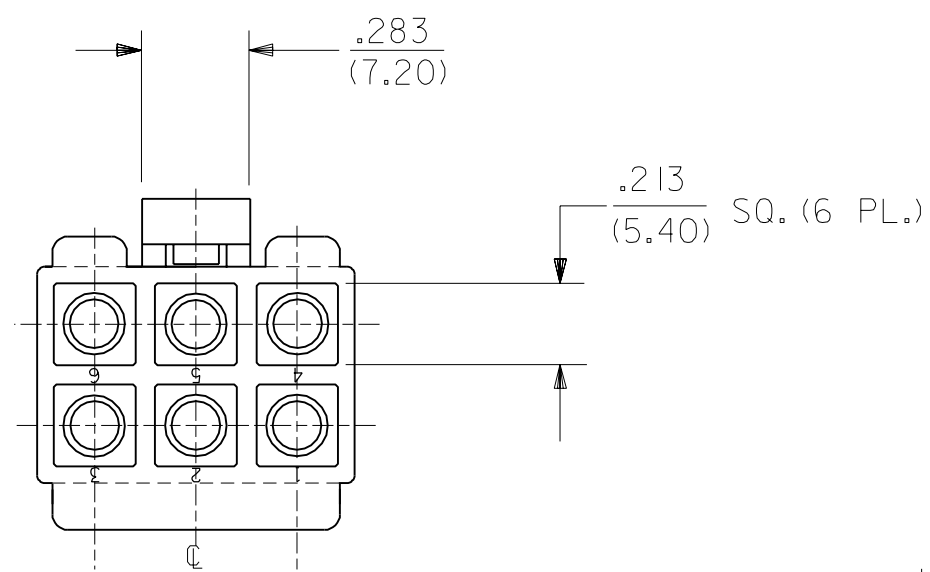
MOLEX INCORPORATED LISLE, ILL. 60532 U.S.A.

SHEET NO. 1 OF 3 DATE 1/25/88

PART NO. SEE CHART DRWG. NO. SD-3191-6*

THIS DRAWING CONTAINS INFORMATION THAT IS PROPRIETARY TO MOLEX INC. AND SHOULD NOT BE USED WITHOUT WRITTEN PERMISSION.

13 12 11 10 9 8 7 6 3191 4 3 2 1



RECEPTACLE

DIMENSIONS SHOWN (METRIC) INCH

UNLESS OTHERWISE SPECIFIED TOLERANCES: ANGULAR $\pm 10^\circ$

	INCH	METRIC
3 PLACE	$\pm .010$	---
2 PLACE	$\pm .014$	± 0.25
1 PLACE	---	± 0.36

DRAFT WHERE APPLICABLE MUST REMAIN WITHIN DIMENSIONS

REVISION SYMBOLS: ∇ = \blacktriangledown = REVISE ONLY ON CAD SYSTEM

TITLE
 $.093/(2.36)$ HOUSING
 PLUG AND RECEPTACLE
 6 CIRCUIT, $.264/(6.70)$ CTRS

MOLEX MOLEX INCORPORATED SHEET NO. 2 DATE 1/22/88
 LISLE, ILL. 60532 U.S.A.

SEE SHEET 3 SD-3191-6*

THIS DRAWING CONTAINS INFORMATION THAT IS PROPRIETARY TO MOLEX INC. AND SHOULD NOT BE USED WITHOUT WRITTEN PERMISSION.

LTR.	REVISIONS	LTR.	REVISIONS
		J	SEE SHT 1

DRWG. BY: JJS CHK'D. BY: RW
 APP'D. BY: RAS SCALE: 2:1

13 12 11 10 9 8 7 6 5 4 3 2 1

