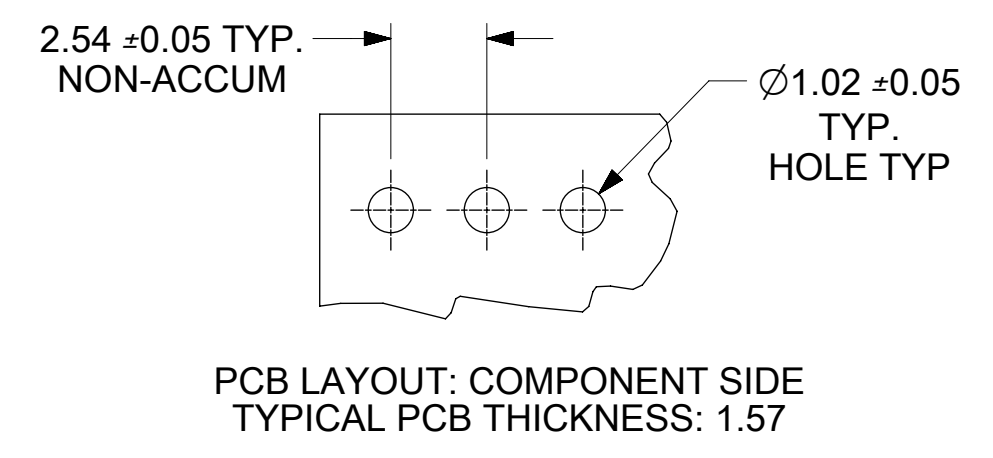


NO. OF CKTS	DIM B	DIM A
2	2.54 ± 0.05	4.83 ± 0.20
3	5.08 ± 0.13	7.37 ± 0.20
4	7.62 ± 0.13	9.91 ± 0.20
5	10.16 ± 0.13	12.45 ± 0.20
6	12.70 ± 0.15	14.99 ± 0.23
7	15.24 ± 0.15	17.53 ± 0.23
8	17.78 ± 0.15	20.07 ± 0.23
9	20.32 ± 0.18	22.61 ± 0.25
10	22.86 ± 0.18	25.15 ± 0.25
11	25.40 ± 0.18	27.69 ± 0.25
12	27.94 ± 0.20	30.23 ± 0.28
13	30.48 ± 0.20	32.77 ± 0.28
14	33.02 ± 0.20	35.31 ± 0.28
15	35.56 ± 0.20	37.85 ± 0.28
16	38.10 ± 0.20	40.39 ± 0.28



NOTES:

- MATERIAL: NYLON, UL 94V-0, COLOR: WHITE
- FINISH:
 - (241) SELECT GOLD: 0.00051 MIN.
 - SELECT TIN: 0.00254 MIN.
 - OVERALL NICKEL UNDERPLATE: 0.00127 MIN.
 - (197) OVERALL REFLOWED MATTE TIN: 0.00152 MIN.
 - OVER 0.00127 MIN. NICKEL OVERALL.
- PARTS CONFORM TO PRODUCT SPECIFICATION PS-10-07.
- PACKAGING INFORMATION: SEE LEGEND.
- PINS MUST CONFORM TO SOLDERABILITY SPECIFICATION SMES-152.
- PIN PUSHOUT FORCE: 2 LBS. MIN.
- PARTS ARE STACKABLE END TO END AND SIDE TO SIDE ON (2.54)/.100 CENTERS.
- PARTS CONFORM TO CLASS B REQUIREMENTS OF COSMETIC SPECIFICATION PS-45499-002.
- TEXT ON PART IS FOR REFERENCE ONLY. TEXT AND TEXT LOCATION MAY VARY DEPENDING ON PART NUMBER AND/OR TOOL.
- CIRCUIT 1 DESIGNATION IS USED TO DEFINE VOID LOCATION. CIRCUIT 1 MAY OR MAY NOT ALIGN TO CIRCUIT 1 ON THE MATING HOUSING

A-4094-N * * *-*

NO. OF CKTS. _____

VERSION _____

LETTER CHANGES WHEN PIN NO. OR PRESS DIM. CHANGES.

PLATING CODE _____

SEE NOTE 2

VOID CODE _____

BLANK = NO VOIDS

NO. = CIRCUIT NO. VOIDED

MULTIPLE VOIDS START WITH 51

SECONDARY OPERATIONS	
CODE	PACKAGE
BLANK	BULK PER PK-4094-001

THIS DRAWING CONTAINS INFORMATION THAT IS PROPRIETARY TO MOLEX ELECTRONIC TECHNOLOGIES, LLC AND SHOULD NOT BE USED WITHOUT WRITTEN PERMISSION

DIMENSION UNITS	SCALE	CURRENT REV DESC:	
MM	NTS		
GENERAL TOLERANCES (UNLESS SPECIFIED)		EC NO: 637111	
	MM	INCH	
4 PLACES	±	±	DRWN: YVENKATESWAR 2020/05/06
3 PLACES	±	±	CHK'D: YVENKATESWAR 2020/05/07
2 PLACES	± 0.13	±	APPR: ISHWARG 2020/05/07
1 PLACE	± 0.25	±	INITIAL REVISION:
0 PLACES	±	±	DRWN: KSS 1984/09/10
ANGULAR TOL	± 0.5 °		APPR: FSMITH 2014/08/05
DRAFT WHERE APPLICABLE MUST REMAIN WITHIN DIMENSIONS		THIRD ANGLE PROJECTION	DRAWING SERIES
			C-SIZE 4094

PRODUCT CUSTOMER DRAWING			
DOCUMENT NUMBER	DOC TYPE	DOC PART	REVISION
SDA-4094	PSD	001	AE6
MATERIAL NUMBER	CUSTOMER	SHEET NUMBER	
SEE TABLE	GENERAL MARKET	1 OF 3	

ENG. NO.	PIN NO.	DIM. L	DIM. X	DIM. Z	DIM. Y	DIM. W	DIM. G	DIM. T
A-4094-NA197	42663-0562	17.53	9.37	3.15	6.30	90°	N/A	OVERALL
A-4094-NA241	42663-0563	17.53	9.37	3.15	6.30	90°	5.08	3.43
A-4094-NAJ197	42663-0862	21.34	10.13	4.09	8.41	90°	N/A	OVERALL
A-4094-NAP197	42663-0562	17.53	8.48	3.78	6.55	90°	N/A	OVERALL
A-4094-NBT197	42663-0182	12.70	6.38	2.79	4.78	90°	N/A	OVERALL
A-4094-NDS197	42663-1182	25.40	17.00	3.38	6.30	90°	N/A	OVERALL
A-4094-NAA197	42663-0542	17.27	7.72	3.15	10.21	60°	N/A	OVERALL
A-4094-NAD241	42663-0563	17.53	9.37	3.86	5.59	90°	5.08	3.43
A-4094-NAD197	42663-0562	17.53	9.37	3.86	5.59	90°	N/A	OVERALL

THIS DRAWING CONTAINS INFORMATION THAT IS PROPRIETARY TO MOLEX ELECTRONIC TECHNOLOGIES, LLC AND SHOULD NOT BE USED WITHOUT WRITTEN PERMISSION										
DIMENSION UNITS		SCALE		CURRENT REV DESC:				molex		
MM		NTS								
GENERAL TOLERANCES (UNLESS SPECIFIED)				EC NO: 637111				PRODUCT CUSTOMER DRAWING		
		MM	INCH	DRWN: YVENKATESWAR 2020/05/06						
4 PLACES		±	±	CHK'D: YVENKATESWAR 2020/05/07						
3 PLACES		±	±	APPR: ISHWARG 2020/05/07				DOCUMENT NUMBER		
2 PLACES		± 0.13	±	INITIAL REVISION:						
1 PLACE		± 0.25	±	DRWN: KSS 1984/09/10				SDA-4094		
0 PLACES		±	±	APPR: FSMITH 2014/08/05						
ANGULAR TOL		± 0.5 °		THIRD ANGLE PROJECTION		DRAWING	SERIES	MATERIAL NUMBER	CUSTOMER	SHEET NUMBER
DRAFT WHERE APPLICABLE MUST REMAIN WITHIN DIMENSIONS						C-SIZE	4094	SEE TABLE	GENERAL MARKET	2 OF 3

WAFER ASSY FLAT MINI KK
(4030 WITH BENT PINS) 4094 SERIES DRAWING

PSD 001 AE6

DOCUMENT STATUS	P1	RELEASE DATE	2020/05/07 03:14:39
-----------------	----	--------------	---------------------

A-4094-NA197		
PART NO.	ENG. NO.	VOID CIRCUIT
22-05-2021	A-4094-2A197	
22-05-2031	A-4094-3A197	
22-05-2041	A-4094-4A197	
22-05-2051	A-4094-5A197	
22-05-2061	A-4094-6A197	
22-05-2071	A-4094-7A197	
22-05-2081	A-4094-8A197	
22-05-2091	A-4094-9A197	
22-05-2101	A-4094-10A197	
22-05-2111	A-4094-11A197	
22-05-2121	A-4094-12A197	
22-05-2131	A-4094-13A197	
22-05-2141	A-4094-14A197	
22-05-2151	A-4094-15A197	
22-05-2161	A-4094-16A197	
22-05-5050	A-4094-5A197-3	3

A-4094-NA241		
PART NO.	ENG. NO.	VOID CIRCUIT
22-12-2021	A-4094-2A241	
22-12-2031	A-4094-3A241	
22-12-2041	A-4094-4A241	
22-12-2051	A-4094-5A241	
22-12-2061	A-4094-6A241	
22-12-2071	A-4094-7A241	
22-12-2081	A-4094-8A241	
22-12-2091	A-4094-9A241	
22-12-2101	A-4094-10A241	
22-12-2111	A-4094-11A241	
22-12-2121	A-4094-12A241	
22-12-2131	A-4094-13A241	
22-12-2141	A-4094-14A241	
22-12-2151	A-4094-15A241	
22-12-2161	A-4094-16A241	
22-19-2054	A-4094-5A241-2	2

A-4094-NAJ197	
PART NO.	ENG. NO.
	A-4094-2AJ197
22-05-3038	A-4094-3AJ197
22-05-3048	A-4094-4AJ197
22-05-3058	A-4094-5AJ197
22-05-3068	A-4094-6AJ197
22-05-3078	A-4094-7AJ197
22-05-3088	A-4094-8AJ197
22-05-3098	A-4094-9AJ197
22-05-3108	A-4094-10AJ197
22-05-3118	A-4094-11AJ197
22-05-3128	A-4094-12AJ197
22-05-3138	A-4094-13AJ197
22-05-3148	A-4094-14AJ197
22-05-3158	A-4094-15AJ197
22-05-3168	A-4094-16AJ197

A-4094-NAP197	
PART NO.	ENG. NO.
22-05-3022	A-4094-2AP197
22-05-3032	A-4094-3AP197
22-05-3042	A-4094-4AP197
22-05-3052	A-4094-5AP197
22-05-3062	A-4094-6AP197
22-05-3072	A-4094-7AP197
22-05-3082	A-4094-8AP197
22-05-3092	A-4094-9AP197
22-05-3102	A-4094-10AP197
22-05-3112	A-4094-11AP197
22-05-3122	A-4094-12AP197
22-05-3132	A-4094-13AP197
22-05-3142	A-4094-14AP197
22-05-3152	A-4094-15AP197
22-05-3162	A-4094-16AP197

A-4094-NBT197	
PART NO.	ENG. NO.
22-05-3020	A-4094-2BT197
22-05-3030	A-4094-3BT197
22-05-3040	A-4094-4BT197
22-05-3050	A-4094-5BT197
22-05-3060	A-4094-6BT197
22-05-3070	A-4094-7BT197
22-05-3080	A-4094-8BT197
22-05-3090	A-4094-9BT197
22-05-3100	A-4094-10BT197
22-05-3110	A-4094-11BT197
22-05-3120	A-4094-12BT197
22-05-3130	A-4094-13BT197
22-05-3140	A-4094-14BT197
22-05-3150	A-4094-15BT197
22-05-3160	A-4094-16BT197

A-4094-NDS197	
PART NO.	ENG. NO.
22-06-3021	A-4094-2DS197
22-06-3031	A-4094-3DS197
22-06-3041	A-4094-4DS197
22-06-3051	A-4094-5DS197
22-06-3061	A-4094-6DS197
22-06-3071	A-4094-7DS197
22-06-3081	A-4094-8DS197
22-06-3091	A-4094-9DS197
22-06-3101	A-4094-10DS197
22-06-3111	A-4094-11DS197
22-06-3121	A-4094-12DS197
22-06-3131	A-4094-13DS197
22-06-3141	A-4094-14DS197
22-06-3151	A-4094-15DS197
22-06-3161	A-4094-16DS197

A-4094-NAA197	
PART NO.	ENG. NO.
	A-4094-2AA197
	A-4094-3AA197
	A-4094-4AA197
	A-4094-5AA197
46999-0606	A-4094-6AA197
46999-0650	A-4094-7AA197
	A-4094-8AA197
	A-4094-9AA197
	A-4094-10AA197
	A-4094-11AA197
	A-4094-12AA197
	A-4094-13AA197
	A-4094-14AA197
	A-4094-15AA197
	A-4094-16AA197

A-4094-NAD241	
PART NO.	ENG. NO.
46999-0808	A-4094-3AD241

A-4094-NAD197	
PART NO.	ENG. NO.
22-05-4030	A-4094-3AD197

THIS DRAWING CONTAINS INFORMATION THAT IS PROPRIETARY TO MOLEX ELECTRONIC TECHNOLOGIES, LLC AND SHOULD NOT BE USED WITHOUT WRITTEN PERMISSION

DIMENSION UNITS		SCALE		CURRENT REV DESC:	
INCH		NTS			
GENERAL TOLERANCES (UNLESS SPECIFIED)					
	MM	INCH			
4 PLACES	±	±			
3 PLACES	±	±			
2 PLACES	±	0.13			
1 PLACE	±	0.25			
0 PLACES	±	±			
ANGULAR TOL		± 0.5 °			
DRAFT WHERE APPLICABLE MUST REMAIN WITHIN DIMENSIONS		THIRD ANGLE PROJECTION		DRAWING SERIES	
				C-SIZE 4094	

EC NO: 637111		2020/05/06	
DRWN: YVENKATESWAR		2020/05/07	
CHK'D: YVENKATESWAR		2020/05/07	
APPR: ISHWARG		2020/05/07	
INITIAL REVISION:			
DRWN: KSS		1984/09/10	
APPR: FSMITH		2014/08/05	

molex			
WAFER ASSY FLAT MINI KK (4030 WITH BENT PINS) 4094 SERIES DRAWING			
PRODUCT CUSTOMER DRAWING			
DOCUMENT NUMBER		DOC TYPE	DOC PART
SDA-4094		PSD	001
REVISION		AE6	
MATERIAL NUMBER		CUSTOMER	
SEE TABLE		GENERAL MARKET	
SHEET NUMBER		3 OF 3	