

PLEASE CHECK WWW.MOLEX.COM FOR LATEST PART INFORMATION

Part Number: [39-00-0160](#)
Status: **Active**
Overview: SPOX™ BMI
Description: 2.50mm Pitch SPOX™ Wire-to-Board Crimp Terminal, 22-28 AWG, for 5264 Housing, Spring Box, Pre-Tin Plating, Low Profile Version

Documents:

[Drawing \(PDF\)](#) [RoHS Certificate of Compliance \(PDF\)](#)
[Product Specification PS-35301-001 \(PDF\)](#)

General

Product Family	Crimp Terminals
Series	5263
Application	Signal
Crimp Quality Equipment	Yes
Overview	SPOX™ BMI
Product Name	SPOX™
UPC	800756204413

Physical

Gender	Female
Material - Metal	Phosphor Bronze
Material - Plating Mating	Tin
Material - Plating Termination	Tin
Net Weight	0.138/g
Packaging Type	Reel
Termination Interface: Style	Crimp or Compression
Wire Insulation Diameter	1.90mm max.
Wire Size AWG	22, 24, 26, 28
Wire Size mm²	N/A

Material Info

Old Part Number	5263PBT9
-----------------	----------

Reference - Drawing Numbers

Product Specification	PS-35301-001
Sales Drawing	SD-5263PBT9

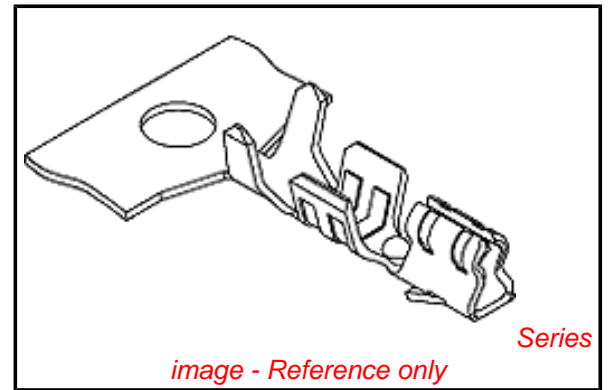


image - Reference only

EU RoHS

**ELV and RoHS
Compliant**

REACH SVHC

**Contains SVHC: No
Low-Halogen Status
Low-Halogen**

China RoHS



**Need more information on product
environmental compliance?**

Email productcompliance@molex.com
 For a multiple part number RoHS Certificate of Compliance, [click here](#)

Please visit the [Contact Us](#) section for any non-product compliance questions.

Search Parts in this Series

[5263Series](#)

Use With

[5264](#)

Application Tooling | FAQ

Tooling specifications and manuals are found by selecting the products below. Crimp Height Specifications are then contained in the Application Tooling Specification document.

Global

Description	Product #
Manual Extraction Tool	0638131400
FineAdjust™ Applicator for 2.50mm Pitch Male Crimp Terminal	0639023100
T2 Terminator for 2.50mm Pitch Male Crimp Terminal	0639123100
Hand Crimp Tool for Crimp Terminals	0638115200

This document was generated on 02/11/2013

PLEASE CHECK WWW.MOLEX.COM FOR LATEST PART INFORMATION