

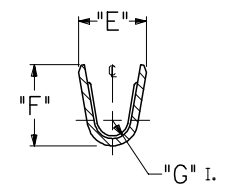
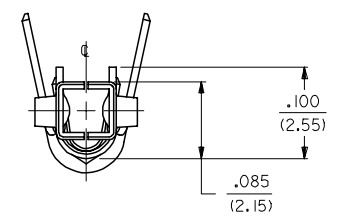
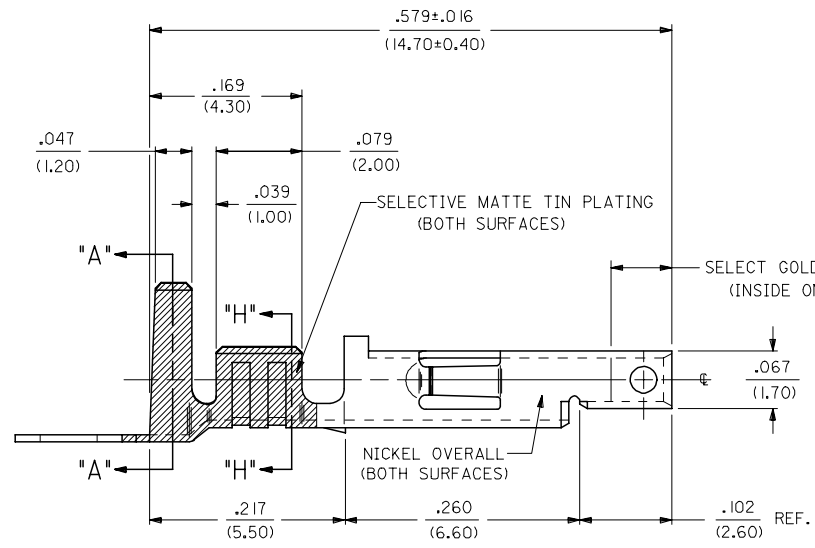
- NOTES:**
- PART DESIGNED IN METRIC.
 - TERMINAL FOR USE WITH 5557 SERIES HOUSINGS.
 - MATES WITH 5558, 5566 AND 5569 SERIES CONNECTORS.
 - REFER TO DWG. NO. CS-5556*/5558* FOR CRIMP SPECIFICATIONS.
 - PRODUCT SPECIFICATION AND PROCESSING PARAMETERS SEE: PS-5556-001, PS-5556-002, PS-5556-003

MATERIAL:

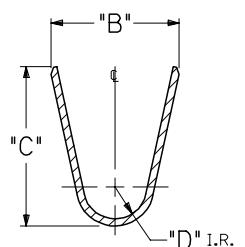
- A. CDA 260 BRASS, .0080±.0004/(0.203±0.010) THICK.
- B. CDA 510 PHOS. BRONZE .0080±.0004/(0.203±0.010) THICK.

PLATING:

- *A. SELECTIVE GOLD PLATE .000030/(0.00076) MIN., AND SELECTIVE MATTE TIN .000100/(0.00254) OVER .000050/(0.00127) NICKEL OVERALL.
- *B. SELECTIVE GOLD PLATE .000015/(0.00038) MIN., AND SELECTIVE MATTE TIN .000100/(0.00254) OVER .000050/(0.00127) NICKEL OVERALL.
- *C. SELECTIVE GOLD PLATE .000050/(0.00127) MIN., AND SELECTIVE MATTE TIN .000100/(0.00254) OVER .000050/(0.00127) NICKEL OVERALL.
- *THE PRIMARY SHIPPING CARTON WILL BE LABELED "COMPLIANT TO RoHS DIRECTIVE 2002/95/EC AND ELV ANNEX II OF DIRECTIVE 2000/53/EC." CARTONS WITHOUT THIS LABEL MAY CONTAIN PRODUCT WITH TIN-LEAD PLATING.



SECT. "H-H"



SECT. "A-A"

REMOVE 28-30 GAGE EC NO: UCP2006-1559 DRAWNDONE 2006/01/11 CHKD: GPOLGAR 2006/01/12 APPR: ICOMERCI 2006/01/16	QUALITY SYMBOLS =0 =0 R.	GENERAL TOLERANCES (UNLESS SPECIFIED)		DIMENSION STYLE IN/MM		SCALE 10:1	DESIGN UNITS METRIC	THIRD ANGLE PROJECTION			
		4 PLACES ± --- ± ---	mm INCH	DRAWN BY GEP	DATE 5/17/90	TITLE TERMINAL, MINI-FIT JR., FEMAE CRIMP, SELECT GOLD BLANK PLATE FORM					
		3 PLACES ± --- ± .010		CHECKED BY RJF	DATE 5/17/90	Molex MOLEX INCORPORATED					
		2 PLACES ± 0.25 ± .014		APPROVED BY RAS	DATE 5/17/90	MATERIAL NO. SEE SHT. 2	DOCUMENT NO. SD-5556-GSP*	SHEET NO. 1 OF 2			
1 PLACE ± 0.36 ± ---		ANGULAR ±1/2°		THIS DRAWING CONTAINS INFORMATION THAT IS PROPRIETARY TO MOLEX INCORPORATED AND SHOULD NOT BE USED WITHOUT WRITTEN PERMISSION							

	13	12	11	10	9	8	7	6	5	5556	4	3	2	1				
	PART NO.	ENG. NO.	MAT'L.	PLATE	WIRE GAGE	QUANTITY PER REEL	DIM. "B"	DIM. "C"	DIM. "D"	DIM. "E"	DIM. "F"	DIM. "G"						
J	39-00-0163	5556-GSP	A	A	18-24 GA.	4,000	.142±.012	.177±.016	.035	.075±.012	.091±.016	.020	LEGEND: 5556-***GS*P* BASE NO. _____ MATERIAL _____ BLANK= BRASS PB= PHOS. BRONZE GOLD, SELECT _____ PLATING & CRIMP SIZE COMB. _____ BLANK THRU I5 BLANK-PLATE-FORM VERSION _____ CHAIN OR LOOSE _____ BLANK= CHAIN L= LOOSE					
	39-00-0164	5556-GSPL					(3.60±0.30)	(4.50±0.40)	(0.90)	(1.90±0.30)	(2.40±0.40)	(0.50)						
39-00-0165	5556-GS2P	22-28 GA.			6,000	.091±.016	.091±.016	.024	.071±.012	.065±.016	.016							
39-00-0166	5556-GS2PL					(2.30±0.30)	(2.30±0.40)	(0.60)	(1.80±0.30)	(1.65±0.40)	(0.40)							
39-00-0167	5556-GS3P	16 GA.			4,000	.142±.012	.177±.016	.035	.091±.012	.106±.016	.024							
39-00-0168	5556-GS3PL					(3.60±0.30)	(4.50±0.40)	(0.90)	(2.30±0.30)	(2.70±0.40)	(0.60)							
NOT TOOLED	5556-GS10P					14 GA.	4,000	.142±.012	.177±.016	.035	.091±.012	.114±.016			.024			
NOT TOOLED	5556-GS10PL							(3.60±0.30)	(4.50±0.40)	(0.90)	(2.30±0.30)	(2.90±0.40)			(0.60)			
I	39-00-0169	5556-GS4P			A	B	18-24 GA.	4,000	.142±.012	.177±.016	.035	.075±.012			.091±.016	.020		
	39-00-0170	5556-GS4PL							(3.60±0.30)	(4.50±0.40)	(0.90)	(1.90±0.30)			(2.40±0.40)	(0.50)		
39-00-0171	5556-GS5P	22-28 GA.	6,000	.091±.012			.091±.016	.024	.071±.012	.065±.016	.016							
39-00-0172	5556-GS5PL			(2.30±0.30)			(2.30±0.40)	(0.60)	(1.80±0.30)	(1.65±0.40)	(0.40)							
39-00-0173	5556-GS6P	16 GA.	4,000	.142±.012			.177±.016	.035	.091±.012	.106±.016	.024							
39-00-0174	5556-GS6PL			(3.60±0.30)			(4.50±0.40)	(0.90)	(2.30±0.30)	(2.70±0.40)	(0.60)							
NOT TOOLED	5556-GS11P			14 GA.			4,000	.142±.012	.177±.016	.035	.091±.012	.114±.016	.024					
NOT TOOLED	5556-GS11PL							(3.60±0.30)	(4.50±0.40)	(0.90)	(2.30±0.30)	(2.90±0.40)	(0.60)					
H	39-00-0175	5556-GS7P	A	C			18-24 GA.	4,000	.142±.012	.177±.016	.035	.075±.012	.091±.016	.020				
	39-00-0176	5556-GS7PL							(3.60±0.30)	(4.50±0.40)	(0.90)	(1.90±0.30)	(2.40±0.40)	(0.50)				
39-00-0177	5556-GS8P	22-28 GA.			6,000	.091±.012	.091±.016	.024	.071±.012	.065±.016	.016							
39-00-0178	5556-GS8PL					(2.30±0.30)	(2.30±0.40)	(0.60)	(1.80±0.30)	(1.65±0.40)	(0.40)							
39-00-0179	5556-GS9P	16 GA.			4,000	.142±.012	.177±.016	.035	.091±.012	.106±.016	.024							
39-00-0180	5556-GS9PL					(3.60±0.30)	(4.50±0.40)	(0.90)	(2.30±0.30)	(2.70±0.40)	(0.60)							
NOT TOOLED	5556-GS12P					14 GA.	4,000	.142±.012	.177±.016	.035	.091±.012	.114±.016	.024					
NOT TOOLED	5556-GS12PL							(3.60±0.30)	(4.50±0.40)	(0.90)	(2.30±0.30)	(2.90±0.40)	(0.60)					
G	39-00-0181	5556-PBGS P			B	A	18-24 GA.	4,000	.142±.012	.177±.016	.035	.075±.012	.091±.016	.020				
	39-00-0182	5556-PBGS PL							(3.60±0.30)	(4.50±0.40)	(0.90)	(1.90±0.30)	(2.40±0.40)	(0.50)				
39-00-0183	5556-PBGS2P	22-28 GA.	6,000	.091±.012			.091±.016	.024	.071±.012	.065±.016	.016							
39-00-0184	5556-PBGS2PL			(2.30±0.30)			(2.30±0.40)	(0.60)	(1.80±0.30)	(1.65±0.40)	(0.40)							
39-00-0185	5556-PBGS3P	16 GA.	4,000	.142±.012			.177±.016	.035	.091±.012	.106±.016	.024							
39-00-0186	5556-PBGS3PL			(3.60±0.30)			(4.50±0.40)	(0.90)	(2.30±0.30)	(2.70±0.40)	(0.60)							
NOT TOOLED	5556-PBGS10P			14 GA.			4,000	.142±.012	.177±.016	.035	.091±.012	.114±.016	.024					
NOT TOOLED	5556-PBGS10PL							(3.60±0.30)	(4.50±0.40)	(0.90)	(2.30±0.30)	(2.90±0.40)	(0.60)					
F	39-00-0194	5556-PBGS4P	B	B			18-24 GA.	4,000	.142±.012	.177±.016	.035	.075±.012	.091±.016	.020				
	39-00-0195	5556-PBGS4PL							(3.60±0.30)	(4.50±0.40)	(0.90)	(1.90±0.30)	(2.40±0.40)	(0.50)				
39-00-0196	5556-PBGS5P	22-28 GA.			6,000	.091±.012	.091±.016	.024	.071±.012	.065±.016	.016							
39-00-0197	5556-PBGS5PL					(2.30±0.30)	(2.30±0.40)	(0.60)	(1.80±0.30)	(1.65±0.40)	(0.40)							
39-00-0198	5556-PBGS6P	16 GA.			4,000	.142±.012	.177±.016	.035	.091±.012	.106±.016	.024							
39-00-0199	5556-PBGS6PL					(3.60±0.30)	(4.50±0.40)	(0.90)	(2.30±0.30)	(2.70±0.40)	(0.60)							
NOT TOOLED	5556-PBGS11P					14 GA.	4,000	.142±.012	.177±.016	.035	.091±.012	.114±.016	.024					
NOT TOOLED	5556-PBGS11 PL							(3.60±0.30)	(4.50±0.40)	(0.90)	(2.30±0.30)	(2.90±0.40)	(0.60)					
E	39-00-0200	5556-PBGS7P			B	C	18-24 GA.	4,000	.142±.012	.177±.016	.035	.075±.012	.091±.016	.020				
	39-00-0201	5556-PBGS7PL							(3.60±0.30)	(4.50±0.40)	(0.90)	(1.90±0.30)	(2.40±0.40)	(0.50)				
39-00-0202	5556-PBGS8P	22-28 GA.	6,000	.091±.012			.091±.016	.024	.071±.012	.065±.016	.016							
39-00-0203	5556-PBGS8PL			(2.30±0.30)			(2.30±0.40)	(0.60)	(1.80±0.30)	(1.65±0.40)	(0.40)							
39-00-0204	5556-PBGS9P	16 GA.	4,000	.142±.012			.177±.016	.035	.091±.012	.106±.016	.024							
39-00-0205	5556-PBGS9PL			(3.60±0.30)			(4.50±0.40)	(0.90)	(2.30±0.30)	(2.70±0.40)	(0.60)							
NOT TOOLED	5556-PBGS12P			14 GA.			4,000	.142±.012	.177±.016	.035	.091±.012	.114±.016	.024					
NOT TOOLED	5556-PBGS12PL							(3.60±0.30)	(4.50±0.40)	(0.90)	(2.30±0.30)	(2.90±0.40)	(0.60)					

LEGEND:
 5556-***GS*P*
 BASE NO. _____
 MATERIAL _____
 BLANK= BRASS
 PB= PHOS. BRONZE
 GOLD, SELECT _____
 PLATING & CRIMP SIZE COMB. _____
 BLANK THRU I5
 BLANK-PLATE-FORM VERSION _____
 CHAIN OR LOOSE _____
 BLANK= CHAIN
 L= LOOSE

SEE SHEET 1 EC NO: UCP2006-1559 DRAWNDUNNE 2006/01/12 CHKD: GPOL GAR 2006/01/12 APPR: ICOMERC 2006/01/16 DESCRIPTION REV	QUALITY SYMBOLS ▽=0 ▽=0	GENERAL TOLERANCES (UNLESS SPECIFIED) <table border="1"> <tr> <th></th> <th>mm</th> <th>INCH</th> </tr> <tr> <td>4 PLACES</td> <td>± ---</td> <td>± ---</td> </tr> <tr> <td>3 PLACES</td> <td>± ---</td> <td>± ---</td> </tr> <tr> <td>2 PLACES</td> <td>± ---</td> <td>± ---</td> </tr> <tr> <td>1 PLACE</td> <td>± ---</td> <td>± ---</td> </tr> </table>		mm	INCH	4 PLACES	± ---	± ---	3 PLACES	± ---	± ---	2 PLACES	± ---	± ---	1 PLACE	± ---	± ---	DIMENSION STYLE IN/MM DRAWN BY DATE GEP 5/17/90 CHECKED BY DATE RJF 5/17/90 APPROVED BY DATE RAS 5/17/90	SCALE --- DESIGN UNITS METRIC THIRD ANGLE PROJECTION	TITLE TERMINAL, MINI-FIT JR., FEMALE, CRIMP, SELECT GOLD BLANK-PLATE-FORM molex MOLEX INCORPORATED	MATERIAL NO. SHEET NO. 2 2
		mm	INCH																		
4 PLACES	± ---	± ---																			
3 PLACES	± ---	± ---																			
2 PLACES	± ---	± ---																			
1 PLACE	± ---	± ---																			
DRAFT WHERE APPLICABLE MUST REMAIN WITHIN DIMENSIONS		SEE CHART	SD-5556-GSP*		THIS DRAWING CONTAINS INFORMATION THAT IS PROPRIETARY TO MOLEX INCORPORATED AND SHOULD NOT BE USED WITHOUT WRITTEN PERMISSION																