

| PART NO. | ENG. NO. | MAT'L. | PLATE | WIRE GAGE | DIM. "B" | DIM. "C" | DIM. "D" | DIM. "E" | DIM. "F" | DIM. "G" |
|------------|-------------|---------------------|-------|--------------------------|--------------------------|---------------------------|---------------------------|--------------------------|--------------------------|----------------|
| 39-00-0207 | 5556-SP | A BRASS | TIN | 18-24 GA. | .142±.012 (3.60±0.30) | .177±.016 (4.50±0.40) | .035 ±.016 (0.90)±0.40 | .075±.012 (1.90±0.30) | .091±.016 (2.30±0.40) | .020 (0.50) |
| 39-00-0208 | 5556-SPL | | | 22-28 GA. | .091±.012 (2.30±0.30) | .091±.016 (2.30±0.40) | .024 ±.016 (0.60)±0.40 | .071±.012 (1.80±0.30) | .065±.016 (1.65±0.40) | .016 (0.40) |
| 39-00-0209 | 5556-S2P | | | 16 GA. | .142±.012 (3.60±0.30) | .177±.016 (4.50±0.40) | .035 ±.016 (0.90)±0.40 | .091±.012 (2.30±0.30) | .106±.016 (2.70±0.40) | .024 (0.60) |
| 39-00-0210 | 5556-S2PL | | | | .142±.012 (3.60±0.30) | .177±.016 (4.50±0.40) | .035 ±.016 (0.90)±0.40 | .091±.012 (2.30±0.30) | .106±.016 (2.70±0.40) | .024 (0.60) |
| 39-00-0211 | 5556-S3P | | | | .142±.012 (3.60±0.30) | .177±.016 (4.50±0.40) | .035 ±.016 (0.90)±0.40 | .091±.012 (2.30±0.30) | .106±.016 (2.70±0.40) | .024 (0.60) |
| 39-00-0212 | 5556-S3PL | B PHOS BRONZE | TIN | 18-24 GA. | .142±.012 (3.60±0.30) | .177±.016 (4.50±0.40) | .035 ±.016 (0.90)±0.40 | .075±.012 (1.90±0.30) | .091±.016 (2.30±0.40) | .020 (0.50) |
| 39-00-0213 | 5556-PBSP | | | 22-28 GA. | .091±.012 (2.30±0.30) | .091±.016 (2.30±0.40) | .024 ±.016 (0.60)±0.40 | .071±.012 (1.80±0.30) | .065±.016 (1.65±0.40) | .016 (0.40) |
| 39-00-0214 | 5556-PBSPL | | | 16 GA. | .142±.012 (3.60±0.30) | .177±.016 (4.50±0.40) | .035 ±.016 (0.90)±0.40 | .091±.012 (2.30±0.30) | .106±.016 (2.70±0.40) | .024 (0.60) |
| 39-00-0215 | 5556-PBS2P | | | | .142±.012 (3.60±0.30) | .177±.016 (4.50±0.40) | .035 ±.016 (0.90)±0.40 | .091±.012 (2.30±0.30) | .106±.016 (2.70±0.40) | .024 (0.60) |
| 39-00-0216 | 5556-PBS2PL | | | | .142±.012 (3.60±0.30) | .177±.016 (4.50±0.40) | .035 ±.016 (0.90)±0.40 | .091±.012 (2.30±0.30) | .106±.016 (2.70±0.40) | .024 (0.60) |
| 39-00-0217 | 5556-PBS3P | | | .142±.012 (3.60±0.30) | .177±.016 (4.50±0.40) | .035 ±.016 (0.90)±0.40 | .091±.012 (2.30±0.30) | .106±.016 (2.70±0.40) | .024 (0.60) | |
| 39-00-0218 | 5556-PBS3PL | | | | | | | | | |

LEGEND:

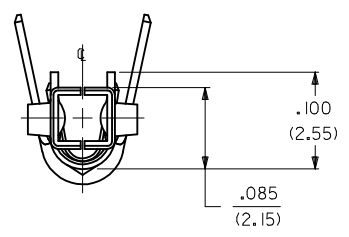
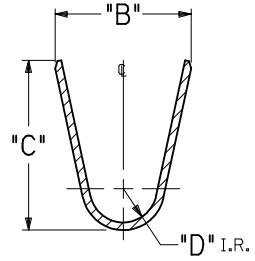
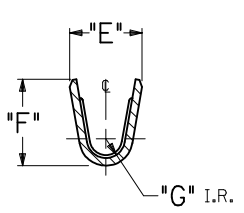
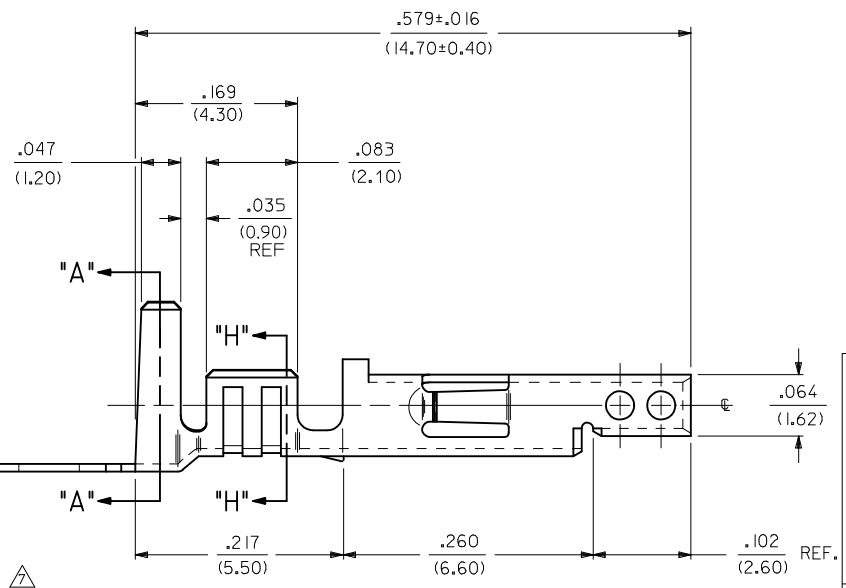
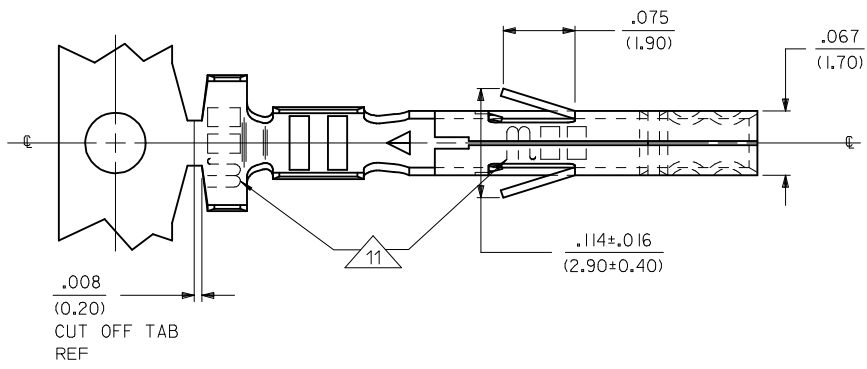
5556 - ** S * P *

BASE NO. _____
MATERIAL _____
BLANK= BRASS
PB= PHOS. BRONZE
S= TIN OVER NICKEL
PLATING & CRIMP SIZE COMB. _____
BLANK THRU 5

CHAIN OR LOOSE _____
BLANK= CHAIN
L= LOOSE

NOTES

- MATERIAL:
A= BRASS
B= PHOS. BRONZE
- FINISH:
TIN = .000100/(.00254) MIN BRIGHT TIN OVER .000050/(.00127)MIN. NICKEL
- PRODUCT SPECIFICATION: PS-5556-001, PS-5556-002, PS-5556-003.
- PACKAGING SPECIFICATION: PK-5556-001 FOR CHAIN TERMINALS
PK-5556-003 FOR LOOSE TERMINALS.
- MATES WITH: 5558, 5566, 5569, 30069, 30070, 42440, 42404, 43879, 43810, 44068.
- APPLICABLE HOUSINGS: 5557, 30067, 43760, 44516, OR 42474.
- THE NUMBER OF SERRATIONS TO BE ONE FOR WIRE RANGE #22-28.
- WHEN TERMINALS ARE INSTALLED IN THE HOUSING THE WIRES ARE TO BE DRESSED IN SUCH A MANNER TO ALLOW THE TERMINALS TO FLOAT FREELY IN THE POCKET.
- THIS TERMINAL IS DESIGNED FOR SINGLE WIRE CRIMPING.
- PART CONFORMS TO CLASS "B" REQUIREMENTS OF COSMETIC SPECIFICATION PS-45499-002.
- TEXT ON PART IS FOR REFERENCE ONLY. TEXT AND TEXT LOCATION MAY VARY DEPENDING ON PART NUMBER AND/OR TOOL.



| | | | | | | | | | |
|--|--------------------------------------|---|------|------------------------------------|------|--|----------------------|------------------------|--|
| ADD NOTE 11 EC NO: UCP2017-2202 DRAWN: SLAFTER 2017/04/05 CHKD: J.BELL 2017/04/05 APPR: F.S.MITH 2017/09/29 | QUALITY SYMBOLS ∇=0 ∇=0 ∇=0 | GENERAL TOLERANCES (UNLESS SPECIFIED) | | DIMENSION STYLE IN/MM | | SCALE INCH | DESIGN UNITS INCH | THIRD ANGLE PROJECTION | |
| | | mm | INCH | DRAWN BY | DATE | TITLE MINI FIT JR OVERALL BRIGHT TIN OVER NICKEL FEMALE CRIMP TERMINAL | | | |
| | | ANGULAR ±1/2° DRAFT WHERE APPLICABLE MUST REMAIN WITHIN DIMENSIONS | | MATERIAL NO. | DATE | molex | | | |
| F3 | REV | SEE CHART | | DOCUMENT NO. SD-5556-SP* | | SHEET NO. 1 OF 1 | | | |
| THIS DRAWING CONTAINS INFORMATION THAT IS PROPRIETARY TO MOLEX INCORPORATED AND SHOULD NOT BE USED WITHOUT WRITTEN PERMISSION | | | | | | | | | |