

4 CKT SHOWN

NOTES:

1) MATERIAL:

- "BLANK" = NYLON 6/6, UNFILLED UL94V-2, COLOR: NATURAL.
- "BL" = NYLON 6/6, UNFILLED UL94V-2, COLOR: BLACK.
- "BU" = NYLON 6/6, UNFILLED UL94V-2, COLOR: BLUE.
- "RE" = NYLON 6/6, UNFILLED UL94V-2, COLOR: RED.
- "YE" = NYLON 6/6, UNFILLED UL94V-2, COLOR: YELLOW
- "GRE" = NYLON 6/6, UNFILLED UL94V-2, COLOR: GREEN.
- "210" = NYLON 6/6, UNFILLED UL94V-0, COLOR: NATURAL.
- "400" = NYLON 6/6, UNFILLED UL94V-0, COLOR: BLACK.

2) FINISH: NOT APPLICABLE

3) PRODUCT SPECIFICATION: PS-5556-001

4) PACKAGING: BULK PACKED PER PK-5557-002

5) PART MATES WITH MOLEX PLUG #5559 AND HEADERS #5566, #5569.

6) PART TO BE USED WITH MOLEX FEMALE TERMINAL #5556.

7) PART IS NOT DESIGNED FOR CURRENT SHARING.

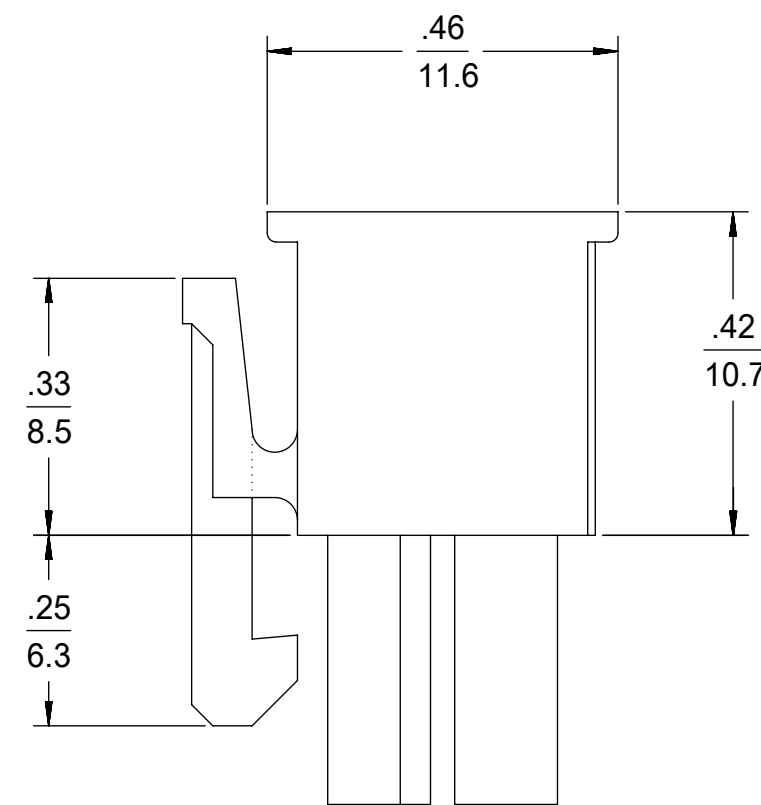
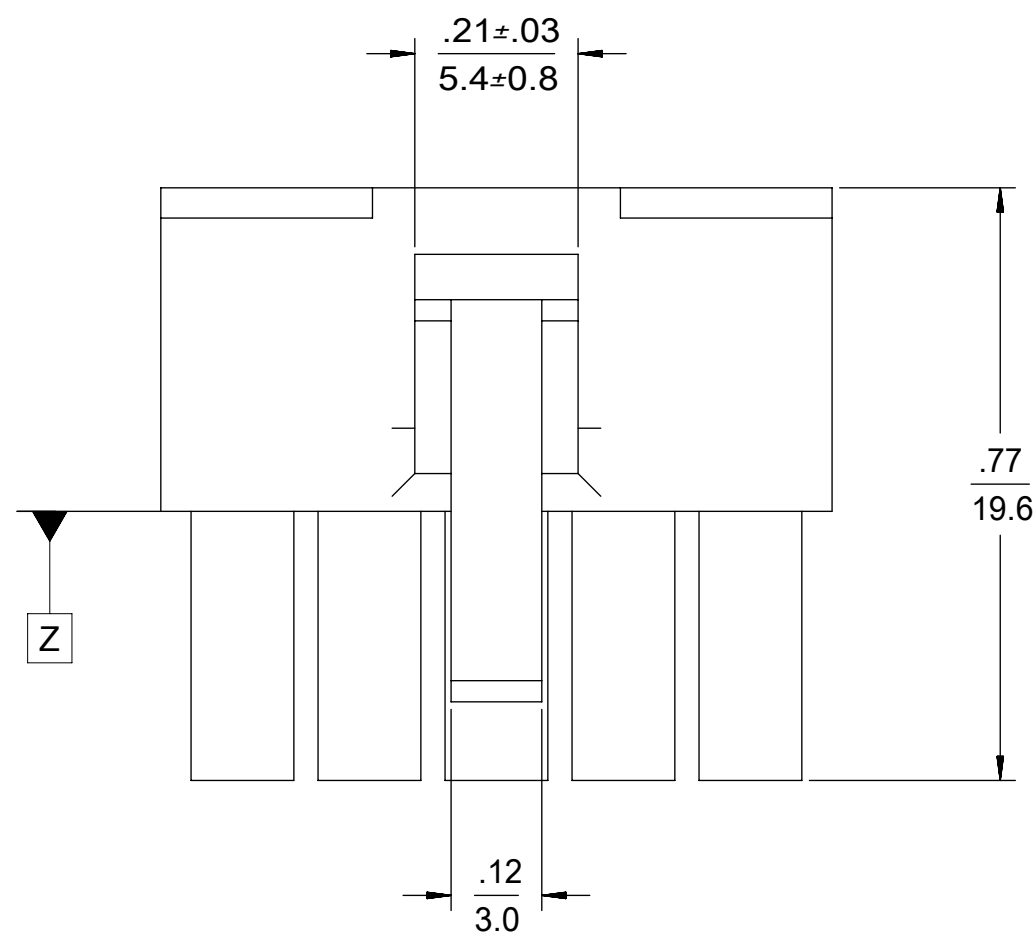
8) CONNECTORS ARE NOT TO BE MATED OR UNMATED WHILE CIRCUITS ARE LIVE.

9) WIRES ARE TO BE DRESSED IN SUCH A MANNER TO ALLOW THE TERMINALS TO FLOAT FREELY IN THE POCKET.

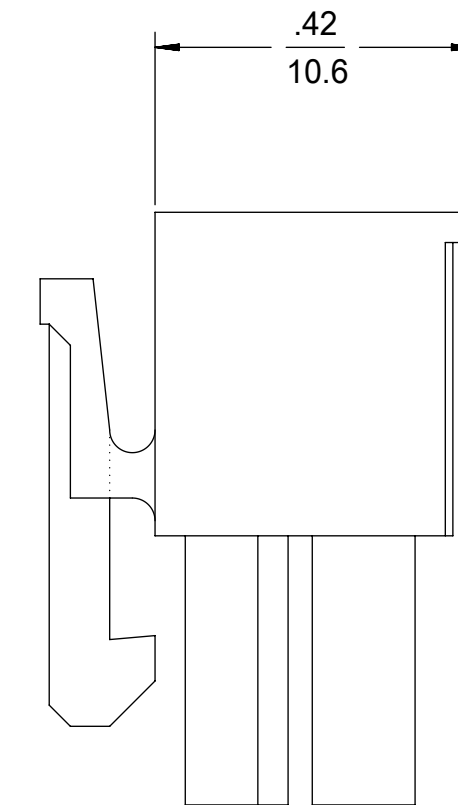
10) PART CONFORMS TO CLASS "B" REQUIREMENTS OF COSMETIC SPECIFICATION PS-45499-002 WITH THE EXCEPTION OF DISCOLORATION, FLASH AND SINK MEET CLASS "C" REQUIREMENTS.

11 TO BE MEASURED AT SURFACE [Z]

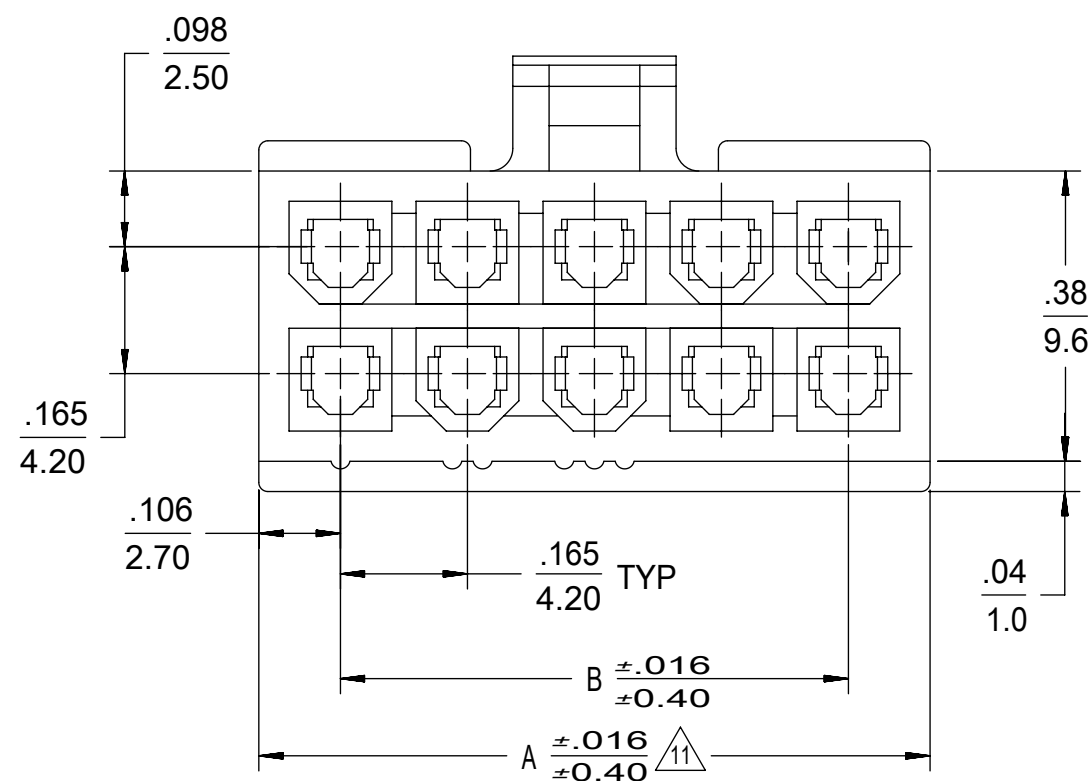
12 TEXT ON PART IS FOR REFERENCE ONLY. TEXT AND TEXT LOCATION MAY VARY DEPENDING ON PART NUMBER AND/OR TOOL.



4-24 CKT

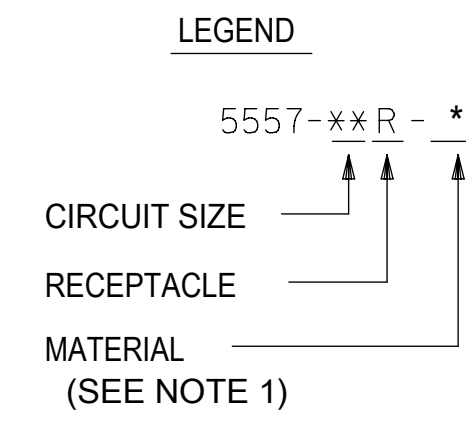
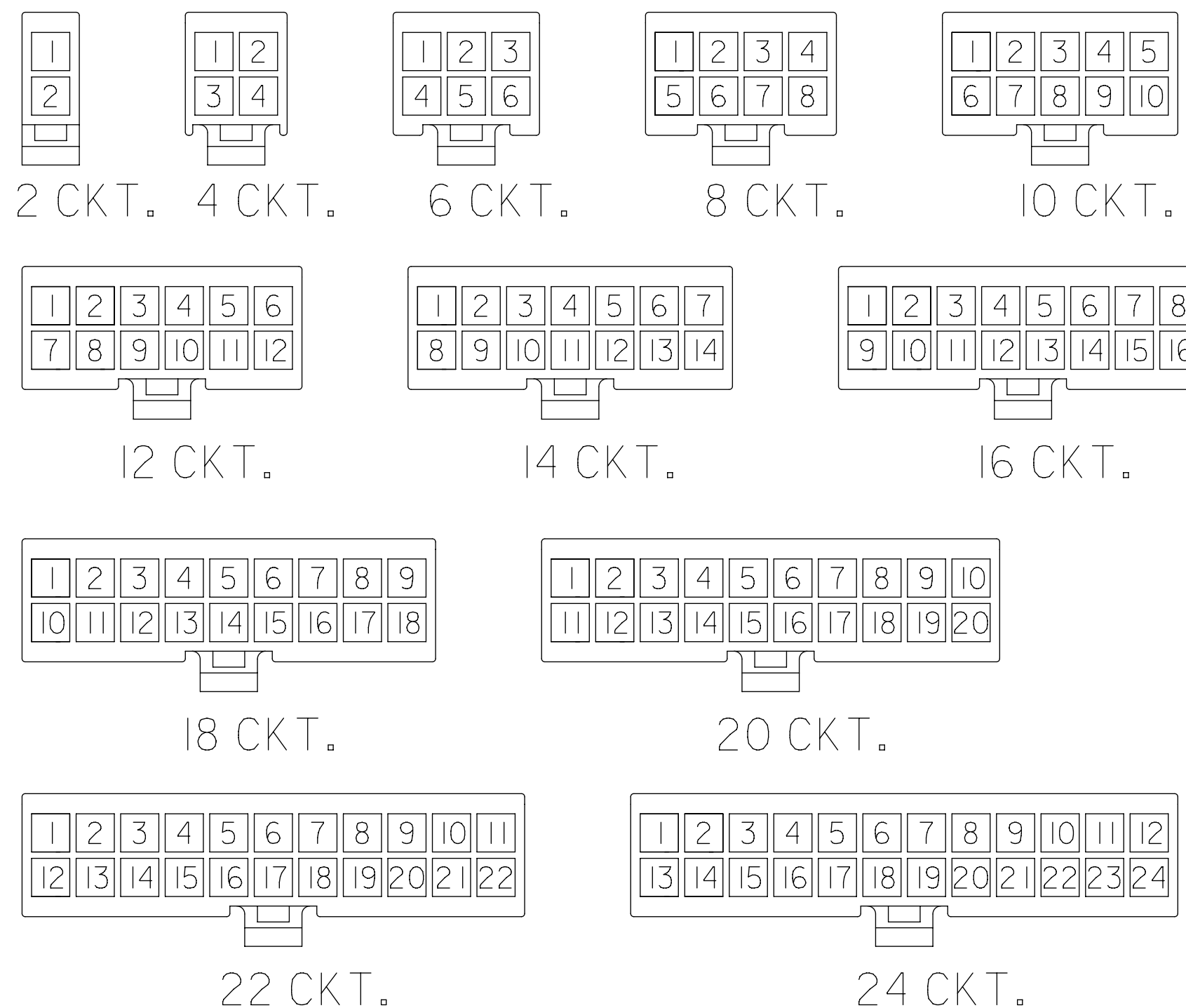


2 CKT ONLY



2.031/(51.60)	1.819/(46.20)	24
1.866/(47.40)	1.654/(42.00)	22
1.701/(43.20)	1.488/(37.80)	20
1.535/(39.00)	1.323/(33.60)	18
1.370/(34.80)	1.157/(29.40)	16
1.205/(30.60)	0.992/(25.20)	14
1.039/(26.40)	0.827/(21.00)	12
0.874/(22.20)	0.661/(16.80)	10
0.709/(18.00)	0.496/(12.60)	8
0.543/(13.80)	0.331/(8.40)	6
0.378/(9.60)	0.165/(4.20)	4
0.213/(5.40)	—	2
A	B	NO. OF CKTS.

SYMBOLS	THIS DRAWING CONTAINS INFORMATION THAT IS PROPRIETARY TO MOLEX ELECTRONIC TECHNOLOGIES, LLC AND SHOULD NOT BE USED WITHOUT WRITTEN PERMISSION		
	DIMENSION UNITS	SCALE	CURRENT REV DESC: UPDATE NOTE 4
▽ = 0	IN/MM	4:1	
▽ = 0	GENERAL TOLERANCES (UNLESS SPECIFIED)		
▽ = 0		MM	INCH
S = 0	4 PLACES	±	±
▽ = 0	3 PLACES	±	± 0.01
▽ = 0	2 PLACES	± 0.25	± 0.015
▽ = 0	1 PLACE	± 0.38	±
□ = 0	0 PLACES	±	±
■ = 0	ANGULAR TOL	± 0.5°	
▽ = 0	DRAFT WHERE APPLICABLE MUST REMAIN WITHIN DIMENSIONS	THIRD ANGLE PROJECTION	DRAWING SERIES
			C-SIZE 5557
		EC NO: 600128	2018/04/11
		DRWN: AZAHIROVIC	2018/06/01
		CHK'D: JBELL	2018/06/03
		APPR: FSMITH	2018/06/03
		INITIAL REVISION:	
		DRWN: S.MOCHIZUKI	1990/02/22
		APPR: FSMITH	2011/02/21
		DOCUMENT NUMBER	DOC TYPE DOC PART REVISION
		SD-5557-003	PSD 000 J18
		MATERIAL NUMBER	CUSTOMER
		SEE CHART	GENERAL MARKET
			SHEET NUMBER
			1 OF 2



**CIRCUIT SIZE LAYOUT
(NOT TO SCALE)**

V-0 (BLACK)				V-0 (NATURAL)			
	39-03-9242	5557-24R-400	24		39-01-2245	5557-24R-210	24
*	39-03-9222	5557-22R-400	22		39-01-2225	5557-22R-210	22
*	39-03-9202	5557-20R-400	20		39-01-2205	5557-20R-210	20
	39-03-9182	5557-18R-400	18		39-01-2185	5557-18R-210	18
	39-03-9162	5557-16R-400	16		39-01-2165	5557-16R-210	16
	39-03-9142	5557-14R-400	14		39-01-2145	5557-14R-210	14
	39-03-9122	5557-12R-400	12		39-01-2125	5557-12R-210	12
	39-03-9102	5557-10R-400	10		39-01-2105	5557-10R-210	10
	39-03-9082	5557-08R-400	8		39-01-2085	5557-08R-210	8
	39-03-9062	5557-06R-400	6		39-01-2065	5557-06R-210	6
	39-03-9042	5557-04R-400	4		39-01-2045	5557-04R-210	4
	39-03-9022	5557-02R-400	2		39-01-2025	5557-02R-210	2
	EDP. NO.	ENG. NO.	NO. OF CKTS.		EDP. NO.	ENG. NO.	NO. OF CKTS.

* = CONSULT FACTORY FOR AVAILABILITY.

V-2 (BLUE)				V-2 (GREEN)				V-2 (YELLOW)				V-2 (RED)				V-2 (BLACK)				V-2 (NATURAL)			
			24				24				24	-	-		24	*	39-01-3245	5557-24R-BL	24		39-01-2240	5557-24R	24
			22				22				22	-	-		22		39-01-3225	5557-22R-BL	22		39-01-2220	5557-22R	22
			20				20				20	-	-		20		39-01-3205	5557-20R-BL	20		39-01-2200	5557-20R	20
			18				18				18	-	-		18	*	39-01-3185	5557-18R-BL	18		39-01-2180	5557-18R	18
			16				16				16	-	-		16	*	39-01-3165	5557-16R-BL	16		39-01-2160	5557-16R	16
			14				14				14	-	-		14		39-01-3145	5557-14R-BL	14		39-01-2140	5557-14R	14
			12				12				12	-	-		12		39-01-3125	5557-12R-BL	12		39-01-2120	5557-12R	12
*	39-02-7108	5557-10R-BU	10				10				10	*	39-02-8100	5557-10R-RE	10		39-01-3105	5557-10R-BL	10		39-01-2100	5557-10R	10
			8				8				8	-	-		8		39-01-3085	5557-08R-BL	8		39-01-2080	5557-08R	8
			6	*	39-02-7069	5557-06R-GRE	6	*	39-02-8061	5557-06R-YE	6		39-02-8060	5557-06R-RE	6		39-01-3065	5557-06R-BL	6		39-01-2060	5557-06R	6
			4				4	*	39-02-8041	5557-04R-YE	4	*	39-02-8040	5557-04R-RE	4		39-01-3045	5557-04R-BL	4		39-01-2040	5557-04R	4
			2	*	39-02-7029	5557-02R-GRE	2	*	39-02-8021	5557-02R-YE	2	-	-		2		39-01-3025	5557-02R-BL	2		39-01-2020	5557-02R	2
	EDP. NO.	ENG. NO.	NO. OF CKTS.		EDP. NO.	ENG. NO.	NO. OF CKTS.		EDP. NO.	ENG. NO.	NO. OF CKTS.		EDP. NO.	ENG. NO.	NO. OF CKTS.		EDP. NO.	ENG. NO.	NO. OF CKTS.		EDP. NO.	ENG. NO.	NO. OF CKTS.

THIS DRAWING CONTAINS INFORMATION THAT IS PROPRIETARY TO MOLEX ELECTRONIC TECHNOLOGIES, LLC AND SHOULD NOT BE USED WITHOUT WRITTEN PERMISSION

SYMBOLS

IN/MM 4:1 SCALE

GENERAL TOLERANCES (UNLESS SPECIFIED)

4 PLACES	±	±
3 PLACES	±	± 0.01
2 PLACES	± 0.25	± 0.015
1 PLACE	± 0.38	±
0 PLACES	±	±

ANGULAR TOL ± 0.5°

DRAFT WHERE APPLICABLE MUST REMAIN WITHIN DIMENSIONS

THIRD ANGLE PROJECTION

DRAWING SERIES C-SIZE 5557

CURRENT REV DESC: UPDATE NOTE 4

EC NO: 600128
 DRWN: AZAHIROVIC 2018/04/11
 CHK'D: JBELL 2018/06/01
 APPR: FSMITH 2018/06/03

INITIAL REVISION:
 DRWN: S.MOCHIZUKI 1990/02/22
 APPR: FSMITH 2011/02/21

molex

MINIFIT JR
 RECEPTACLE HOUSING DUAL ROW 2-24 CKT

PRODUCT CUSTOMER DRAWING

DOCUMENT NUMBER	DOC TYPE	DOC PART	REVISION
SD-5557-003	PSD	000	J18

MATERIAL NUMBER: SEE CHART
 CUSTOMER: GENERAL MARKET
 SHEET NUMBER: 2 OF 2