

PLEASE CHECK WWW.MOLEX.COM FOR LATEST PART INFORMATION

Part Number: **39-30-2036**
Status: **Active**
Overview: Mini-Fit Jr.™
Description: Mini-Fit® Jr. Header, 4.20mm Pitch, Single Row, Vertical, with Snap-in Plastic Peg PCB Lock, 3 Circuits, PA Polyamide Nylon 6/6, UL 94V-0, Tin (Sn) Plating, with Drain Holes

Documents:

[3D Model](#)
[Drawing \(PDF\)](#)
[Product Specification PS-5556-001 \(PDF\)](#)
[Test Summary TS-5556-002 \(PDF\)](#)
[RoHS Certificate of Compliance \(PDF\)](#)

Agency Certification

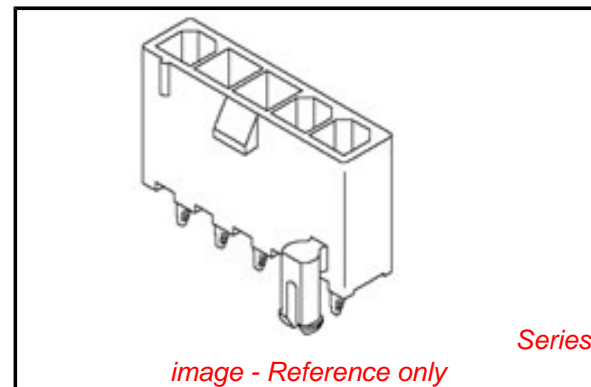
CSA LR19980
 UL E29179

General

Product Family PCB Headers
 Series 5566
 Application Power, Wire-to-Board
 Comments The 5566 header should be used with standard Mini-Fit® female terminals. If increased amperage of up to 13A per circuit is needed, please consider using the Mini-Fit® Plus HCS family 45750 terminals with 46014 headers; . See Molex Product specification for current de-rating information.
 Overview Mini-Fit Jr.™
 Product Name Mini-Fit Jr.™
 UPC 800754380034

Physical

Breakaway No
 Circuits (Loaded) 3
 Circuits (maximum) 3
 Color - Resin Natural
 Durability (mating cycles max) 30
 First Mate / Last Break No
 Flammability 94V-0
 Glow-Wire Compliant No
 Guide to Mating Part No
 Keying to Mating Part None
 Lock to Mating Part Yes
 Material - Metal Brass
 Material - Plating Mating Tin
 Material - Plating Termination Tin
 Material - Resin Nylon
 Net Weight 0.849/g
 Number of Rows 1
 Orientation Vertical
 PC Tail Length 3.50mm
 PCB Locator Yes
 PCB Retention Yes
 PCB Thickness - Recommended 1.60mm
 Packaging Type Tray
 Pitch - Mating Interface 4.20mm
 Pitch - Termination Interface 4.20mm



EU RoHS

ELV and RoHS Compliant
REACH SVHC Contains SVHC: No
Low-Halogen Status Low-Halogen

China RoHS



Need more information on product environmental compliance?

Email productcompliance@molex.com
 For a multiple part number RoHS Certificate of Compliance, [click here](#)

Please visit the [Contact Us](#) section for any non-product compliance questions.

Search Parts in this Series

5566Series

Mates With

5557 Mini-Fit Jr.™ Receptacle Housing

Use With

5556 Mini-Fit® Crimp Terminal

| | |
|--------------------------------|-----------------|
| Plating min - Mating | 0.889µm |
| Plating min - Termination | 0.889µm |
| Polarized to Mating Part | Yes |
| Polarized to PCB | Yes |
| Shrouded | Fully |
| Stackable | No |
| Surface Mount Compatible (SMC) | No |
| Temperature Range - Operating | -40°C to +105°C |
| Termination Interface: Style | Through Hole |

Electrical

| | |
|-------------------------------|------|
| Current - Maximum per Contact | 13A |
| Voltage - Maximum | 600V |

Solder Process Data

| | |
|--|------------------------|
| Duration at Max. Process Temperature (seconds) | 5 |
| Lead-free Process Capability | Wave Capable (TH only) |
| Max. Cycles at Max. Process Temperature | 1 |
| Process Temperature max. C | 240 |

Material Info

| | |
|-----------------|---------------|
| Old Part Number | 5566-03B3-210 |
|-----------------|---------------|

Reference - Drawing Numbers

| | |
|-----------------------|---------------------------|
| Product Specification | PS-5556-001, RPS-5556-004 |
| Sales Drawing | SDA-5566-03*3* |
| Test Summary | TS-5556-002 |

This document was generated on 07/23/2013

PLEASE CHECK WWW.MOLEX.COM FOR LATEST PART INFORMATION