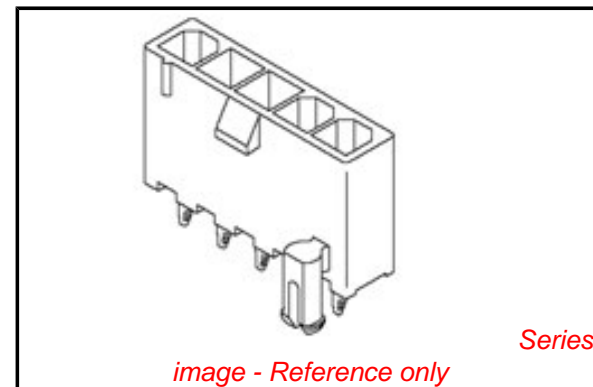


**PLEASE CHECK WWW.MOLEX.COM FOR LATEST PART INFORMATION**

**Part Number:** [39-30-2037](#)  
**Status:** **Active**  
**Overview:** [Mini-Fit Jr.™](#)  
**Description:** 4.20mm Pitch Mini-Fit Jr.™ Header, Single Row, Vertical, with Snap-in Plastic Peg PCB Lock, 3 Circuits, PA Polyamide Nylon 6/6, UL 94V-2, 0.76µm Gold (Au) Selective Plating, with Drain Holes

**Documents:**

<a href="#">3D Model</a>	<a href="#">Test Summary TS-5556-002 (PDF)</a>
<a href="#">Drawing (PDF)</a>	<a href="#">RoHS Certificate of Compliance (PDF)</a>
<a href="#">Product Specification PS-5556-001 (PDF)</a>	



**Agency Certification**

CSA	LR19980
UL	E29179

**General**

Product Family	PCB Headers
Series	<a href="#">5566</a>
Application	Power, Wire-to-Board
Comments	The 5566 header should be used with standard Mini-Fit® female terminals. If increased amperage of up to 13A per circuit is needed, please consider using the Mini-Fit® Plus HCS family <a href="#">45750</a> terminals with <a href="#">46014</a> headers; . See Molex product specification PS-45750-001 for additional current de-rating information.
Overview	<a href="#">Mini-Fit Jr.™</a>
Product Name	Mini-Fit Jr.™
UPC	800754932738

**Physical**

Breakaway	No
Circuits (Loaded)	3
Circuits (maximum)	3
Color - Resin	Natural
Durability (mating cycles max)	30
First Mate / Last Break	No
Flammability	94V-2
Glow-Wire Compliant	No
Guide to Mating Part	No
Keying to Mating Part	None
Lock to Mating Part	Yes
Material - Metal	Brass
Material - Plating Mating	Gold
Material - Plating Termination	Tin
Material - Resin	Nylon
Net Weight	0.807/g
Number of Rows	1
Orientation	Vertical
PC Tail Length	3.50mm
PCB Locator	Yes
PCB Retention	Yes
PCB Thickness - Recommended	1.60mm
Packaging Type	Tray
Pitch - Mating Interface	4.20mm

**EU RoHS** **China RoHS**

**ELV and RoHS Compliant**  
**REACH SVHC Contains SVHC: No**  
**Low-Halogen Status Low-Halogen**



**Need more information on product environmental compliance?**

Email [productcompliance@molex.com](mailto:productcompliance@molex.com)  
 For a multiple part number RoHS Certificate of Compliance, [click here](#)

Please visit the [Contact Us](#) section for any non-product compliance questions.

**Search Parts in this Series**

[5566Series](#)

**Mates With**

[5557 Mini-Fit Jr.™ Receptacle Housing](#)

**Use With**

[5556 Mini-Fit® Crimp Terminal](#)

Pitch - Termination Interface	4.20mm
Plating min - Mating	0.762μm
Plating min - Termination	2.540μm
Polarized to Mating Part	Yes
Polarized to PCB	Yes
Shrouded	Fully
Stackable	No
Surface Mount Compatible (SMC)	No
Temperature Range - Operating	-40°C to +105°C
Termination Interface: Style	Through Hole

### **Electrical**

Current - Maximum per Contact	13A
Voltage - Maximum	600V

### **Solder Process Data**

Duration at Max. Process Temperature (seconds)	5
Lead-free Process Capability	Wave Capable (TH only)
Max. Cycles at Max. Process Temperature	1
Process Temperature max. C	240

### **Material Info**

Old Part Number	5566-03B3GS
-----------------	-------------

### **Reference - Drawing Numbers**

Product Specification	PS-5556-001, RPS-5556-004
Sales Drawing	SDA-5566-03*3*
Test Summary	TS-5556-002

This document was generated on 02/11/2013

**PLEASE CHECK [WWW.MOLEX.COM](http://WWW.MOLEX.COM) FOR LATEST PART INFORMATION**