

NOTES:

1. MATERIALS:

HOUSING:

- "BLANK"=NYLON 6/6, UNFILLED UL94 V-2, COLOR: NATURAL
- "130"=GLASS FILLED LCP, UL94 V-0, COLOR: BLACK  
IEC 60335-1, 5TH EDITION GLOW WIRE CAPABLE
- "210"=NYLON 6/6, UNFILLED UL94 V-0, COLOR: NATURAL
- "BL"=NYLON 6/6, UNFILLED UL94 V-2, COLOR: BLACK
- "400"=NYLON 6/6, UNFILLED UL94 V-0, COLOR: BLACK

TERMINALS:

BRASS

2. TERMINAL PLATING:

- "BLANK"=.000035/(0.00090) MIN. REFLOWED MATTE TIN OVER  
.000020/(0.00050) MIN. COPPER (PREPLATE)  
(FINISH IS BRIGHT IN APPEARANCE, THICKNESS AS APPLIED PRIOR TO REFLOW)
- GS2=.000015/(0.00038) MIN. SELECT GOLD AND  
.000100/(0.00254) MIN. SELECT MATTE TIN  
OVER .000050/(0.00127) MIN. NICKEL OVERALL
- GS=.000030/(0.00076) MIN. SELECT GOLD AND  
.000100/(0.00254) MIN. SELECT MATTE TIN  
OVER .000050/(0.00127) MIN. NICKEL OVERALL
- S=.000100/(0.00254) MIN. BRIGHT TIN OVER  
.000050/(0.00127) MIN. NICKEL
- MS=.000100/(0.00254) MIN. MATTE TIN OVER  
.000050/(0.00127) MIN. NICKEL

3. PRODUCT SPECIFICATION: PS-5556-001

4. PACKAGING: TRAY PACKED PER PK-5566-002

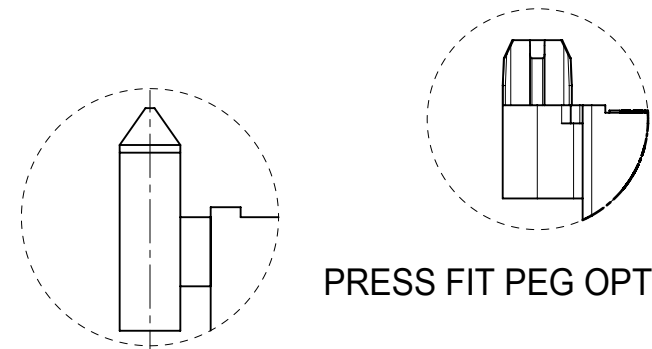
5. PART MATES WITH MINI-FIT JR. RECEPTACLE NO. 5557.

6. PART IS NOT DESIGNED FOR CURRENT SHARING.

7. PARTS ARE NOT TO BE MATED OR UN-MATED WHILE CIRCUITS ARE LIVE.

8. PART CONFORMS TO CLASS "B" REQUIREMENTS OF COSMETIC SPECIFICATION PS-45499-002.

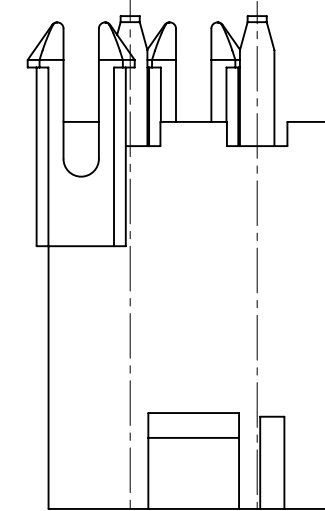
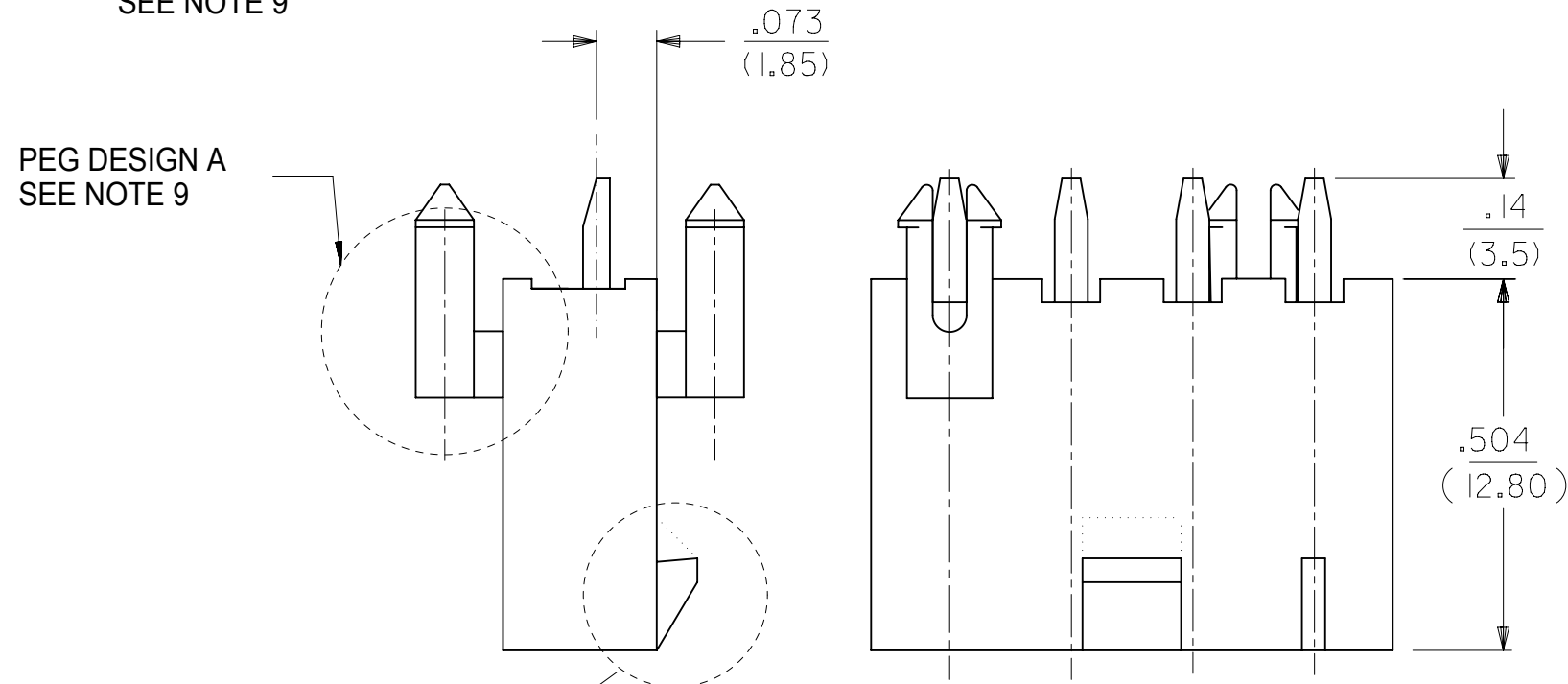
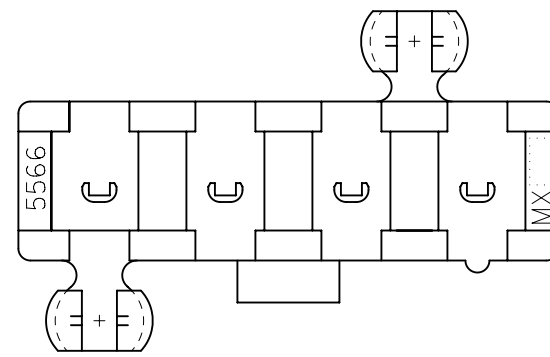
9. 5 CIRCUIT PARTS HAVE PEG DESIGN B. ALL OTHER CIRCUIT SIZES HAVE PEG DESIGN A.



PEG DESIGN B  
SEE NOTE 9

PRESS FIT PEG OPTION

PEG DESIGN A  
SEE NOTE 9

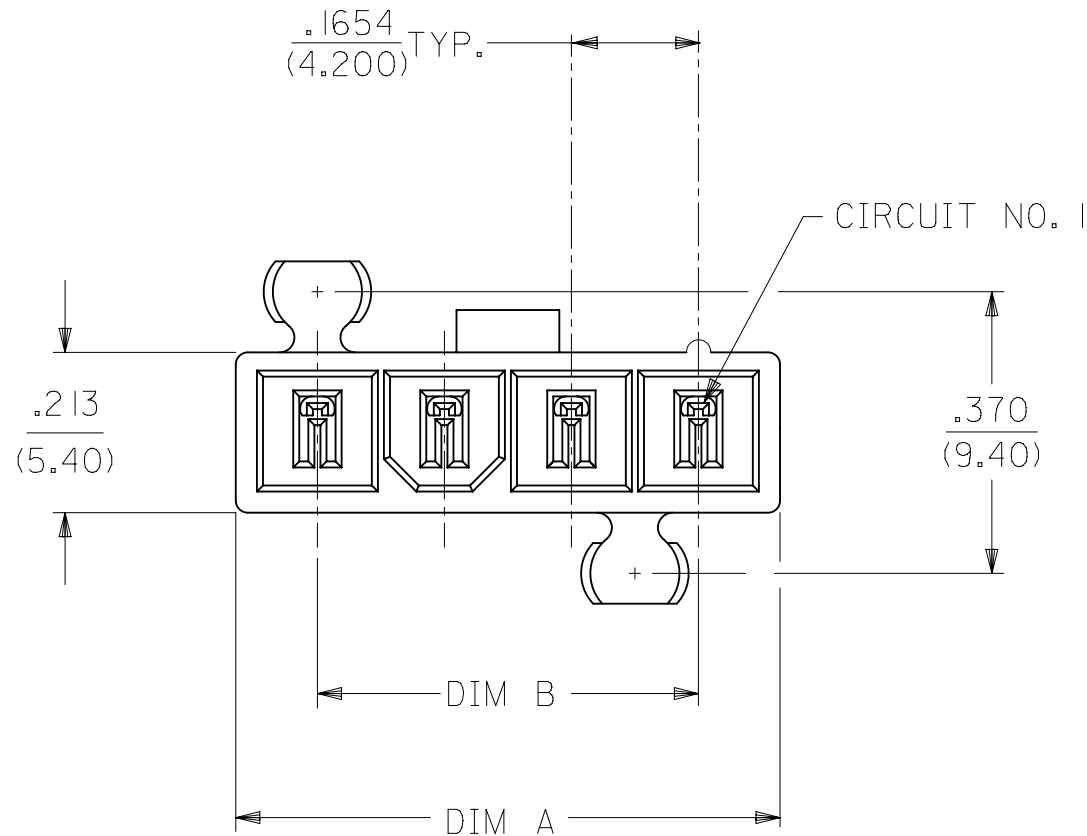
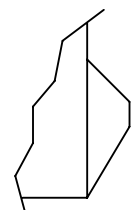
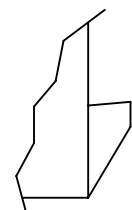


2 CIRCUIT

LOCK OPTION

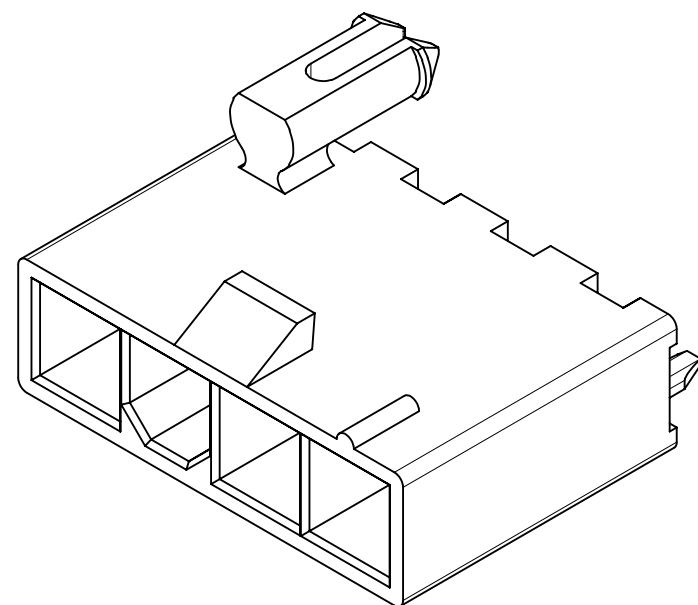
POSITIVE LOCK

PASSIVE LOCK



LEGEND:

- 5566 - N A \* \* - \*
- CIRCUIT SIZE (04-12)
- PEG AND LOCK OPTION  
3=MTG. PEGS, POSITIVE LOCK  
4=MTG. PEGS, PASSIVE LOCK  
15=MTG. PRESS FIT PEGS, POSITIVE LOCK
- PLATING (SEE NOTE 2)
- HOUSING MAT'L (SEE NOTE 1)



THIS DRAWING REPLACES SDA-5566-NL\*

SYMBOLS		THIS DRAWING CONTAINS INFORMATION THAT IS PROPRIETARY TO MOLEX ELECTRONIC TECHNOLOGIES, LLC AND SHOULD NOT BE USED WITHOUT WRITTEN PERMISSION	
DIMENSION UNITS	SCALE	CURRENT REV DESC: MIGRATED	
∇ = 0	IN/MM	4:1	
∇ = 0	GENERAL TOLERANCES (UNLESS SPECIFIED)		
∇ = 0		MM	INCH
S = 0	4 PLACES	±	±
∇ = 0	3 PLACES	±	± 0.015
∇ = 0	2 PLACES	± 0.38	± 0.02
∇ = 0	1 PLACE	± 0.5	±
∇ = 0	0 PLACES	±	±
∇ = 0	ANGULAR TOL	± 0.5 °	
∇ = 0	DRAFT WHERE APPLICABLE MUST REMAIN WITHIN DIMENSIONS		
		THIRD ANGLE PROJECTION	DRAWING SERIES
		C-SIZE	5566
		EC NO: 600618	2018/07/30
		DRWN: JBAUMERT	2018/12/07
		CHK'D: DSTEIER	2019/01/03
		APPR: FSMITH	
		INITIAL REVISION:	
		DRWN: KSS	1989/02/19
		APPR: FSMITH	2012/05/06
DOCUMENT NUMBER		DOC TYPE	DOC PART
55660001-SD		PSD	000
MATERIAL NUMBER		CUSTOMER	SHEET NUMBER
SEE TABLE			1 OF 3

**molex**

VERT HDR ASSY W/ PEGS MINIFIT JR SR

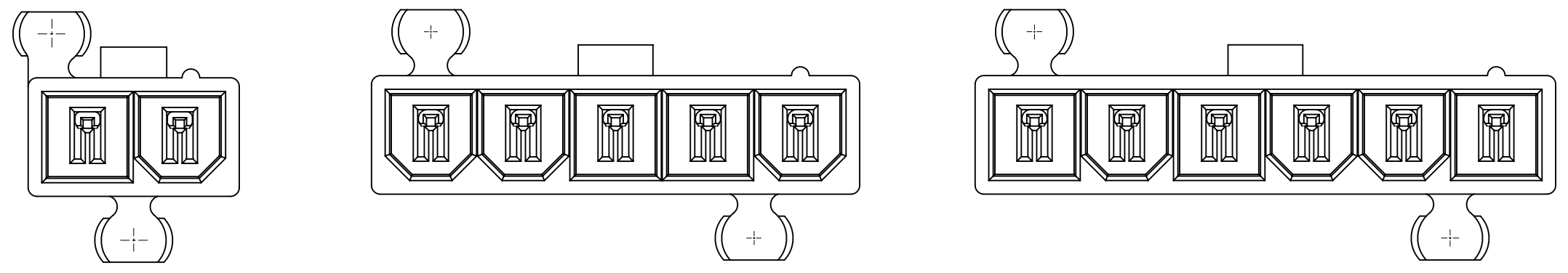
PRODUCT CUSTOMER DRAWING

DOCUMENT NUMBER DOC TYPE DOC PART REVISION

55660001-SD PSD 000 A

MATERIAL NUMBER CUSTOMER SHEET NUMBER

SEE TABLE 1 OF 3

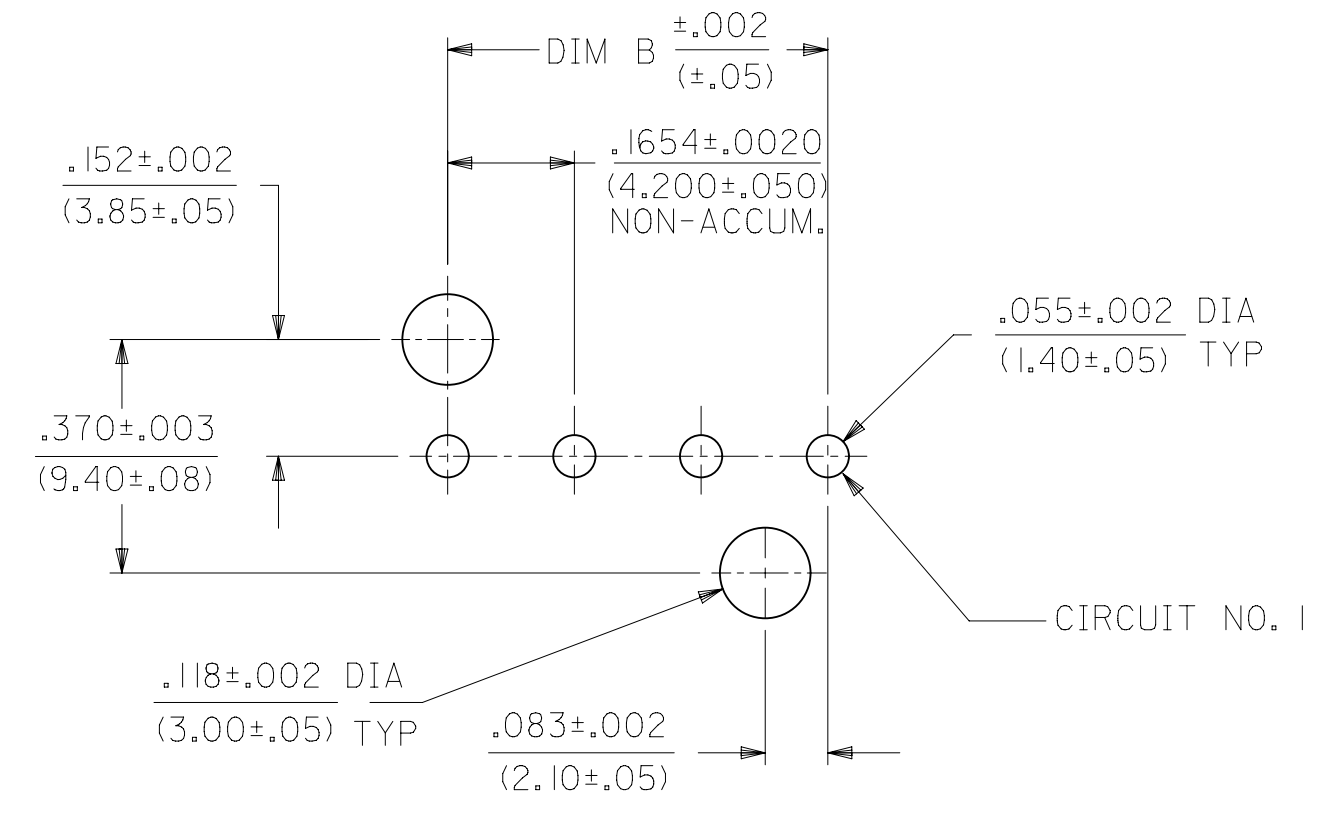


2 CIRCUIT

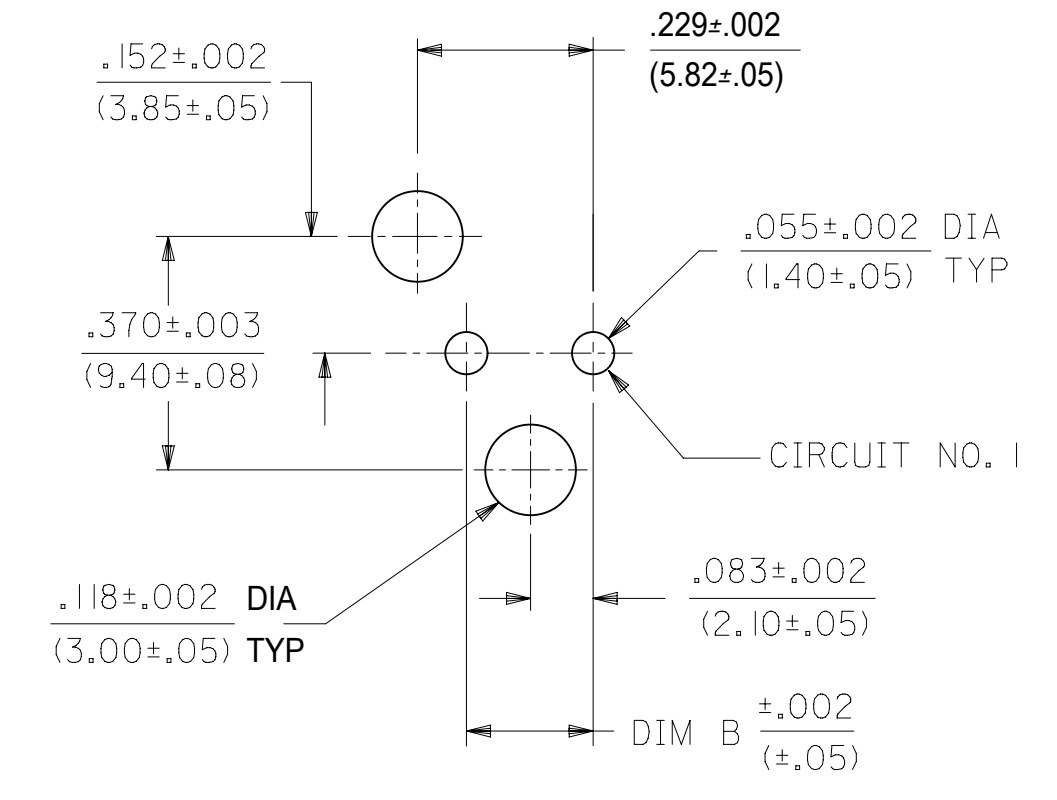
5 CIRCUIT

6 CIRCUIT

POLARIZATION



RECOMMENDED HOLE LAYOUT FOR  
.070/(1.78) MAX. THICK P. C. BOARD  
VIEWED FROM COMPONENT SIDE  
4-12 CIRCUIT PART



RECOMMENDED HOLE LAYOUT FOR  
.070/(1.78) MAX. THICK P. C. BOARD  
VIEWED FROM COMPONENT SIDE  
2 CIRCUIT PART

SYMBOLS	THIS DRAWING CONTAINS INFORMATION THAT IS PROPRIETARY TO MOLEX ELECTRONIC TECHNOLOGIES, LLC AND SHOULD NOT BE USED WITHOUT WRITTEN PERMISSION										
	DIMENSION UNITS		SCALE		CURRENT REV DESC: MIGRATED						
▽ = 0	IN/MM		4:1		<b>molex</b> VERT HDR ASSY W/ PEGS MINIFIT JR SR PRODUCT CUSTOMER DRAWING						
▽ = 0	GENERAL TOLERANCES (UNLESS SPECIFIED)										
▽ = 0			MM	INCH	EC NO: 600618		2018/07/30		DOC TYPE	DOC PART	REVISION
▽ = 0	4 PLACES ±		±	±	DRWN: JBAUMERT		2018/12/07		55660001-SD	PSD	000
▽ = 0	3 PLACES ±		±	± 0.015	CHK'D: DSTEIER		2019/01/03				
▽ = 0	2 PLACES ±		0.38	± 0.02	APPR: FSMITH				SEE TABLE		A
▽ = 0	1 PLACE ±		0.5	±	INITIAL REVISION:						
▽ = 0	0 PLACES ±		±	±	DRWN: KSS		1989/02/19		MATERIAL NUMBER	CUSTOMER	SHEET NUMBER
▽ = 0	ANGULAR TOL ±		0.5 °	±	APPR: FSMITH		2012/05/06				
▽ = 0	DRAFT WHERE APPLICABLE MUST REMAIN WITHIN DIMENSIONS				THIRD ANGLE PROJECTION	DRAWING	SERIES	5566		2 OF 3	

POSITIVE LOCK WITH MTG. PEGS, 94V-2 HOUSING MATERIAL			
PART NO	ENG NO	CKT SIZE	PLATING OPTION
39-30-1049	5566-04A3	4	TIN OVER COPPER
39-30-1059	5566-05A3	5	TIN OVER COPPER
46999-0669	5566-02A3GS	2	30 M.I. SELECT GOLD
39-30-2041	5566-04A3GS	4	30 M.I. SELECT GOLD
39-30-2051	5566-05A3GS	5	30 M.I. SELECT GOLD
39-30-2061	5566-06A3GS	6	30 M.I. SELECT GOLD
50-36-2453	5566-04A3S	4	BRIGHT TIN OVER NICKEL
50-36-2454	5566-05A3S	5	BRIGHT TIN OVER NICKEL
46999-0673	5566-02A3MS	2	MATTE TIN OVER NICKEL
46999-0610	5566-04A3MS	4	MATTE TIN OVER NICKEL
46999-0611	5566-05A3MS	5	MATTE TIN OVER NICKEL
46999-0674	5566-06A3MS	6	MATTE TIN OVER NICKEL

POSITIVE LOCK WITH PRESS FIT PEGS, 94V-0 LCP			
PART NO	ENG NO	CKT SIZE	PLATING OPTION
46999-0679	5566-02A15GS-130	2	30 M.I. SELECT GOLD
46999-0681	5566-04A15GS-130	4	30 M.I. SELECT GOLD
46999-0682	5566-05A15GS-130	5	30 M.I. SELECT GOLD
46999-0683	5566-06A15GS-130	6	30 M.I. SELECT GOLD
46999-0684	5566-02A15MS-130	2	MATTE TIN OVER NICKEL
46999-0686	5566-04A15MS-130	4	MATTE TIN OVER NICKEL
46999-0687	5566-05A15MS-130	5	MATTE TIN OVER NICKEL
46999-0688	5566-06A15MS-130	6	MATTE TIN OVER NICKEL

PASSIVE LOCK WITH MTG. PEGS, 94V-2 HOUSING MATERIAL			
PART NO	ENG NO	CKT SIZE	PLATING OPTION
NO E.D.P.	5566-04A4GS	4	30 M.I. SELECT GOLD
NO E.D.P.	5566-05A4GS	5	30 M.I. SELECT GOLD

PASSIVE LOCK WITH MTG. PEGS, 94V-0 HOUSING MATERIAL			
PART NO	ENG NO	CKT SIZE	PLATING OPTION
NO E.D.P.	5566-04A4GS-210	4	30 M.I. SELECT GOLD
NO E.D.P.	5566-05A4GS-210	5	30 M.I. SELECT GOLD

POSITIVE LOCK WITH MTG. PEGS, 94V-2 BLACK HOUSING			
PART NO	ENG NO	CKT SIZE	PLATING OPTION
50-29-1528	5566-04A3-BL	4	TIN OVER COPPER
50-29-1529	5566-05A3-BL	5	TIN OVER COPPER
26-01-3162	5566-04A3S-BL	4	BRIGHT TIN OVER NICKEL
26-01-3163	5566-05A3S-BL	5	BRIGHT TIN OVER NICKEL

POSITIVE LOCK WITH MTG. PEGS, 94V-0 HOUSING MATERIAL			
PART NO	ENG NO	CKT SIZE	PLATING OPTION
39-30-2040	5566-04A3-210	4	TIN OVER COPPER
39-30-2050	5566-05A3-210	5	TIN OVER COPPER
46999-0670	5566-02A3GS-210	2	30 M.I. SELECT GOLD
39-30-2042	5566-04A3GS-210	4	30 M.I. SELECT GOLD
39-30-2052	5566-05A3GS-210	5	30 M.I. SELECT GOLD
39-30-2062	5566-06A3GS-210	6	30 M.I. SELECT GOLD
50-36-2356	5566-04A3S-210	BRIGHT TIN OVER NICKEL	
50-36-2452	5566-05A3S-210	BRIGHT TIN OVER NICKEL	
46999-0675	5566-02A3MS-210	2	MATTE TIN OVER NICKEL
46999-0627	5566-04A3MS-210	4	MATTE TIN OVER NICKEL
46999-0628	5566-05A3MS-210	5	MATTE TIN OVER NICKEL
46999-0676	5566-06A3MS-210	6	MATTE TIN OVER NICKEL

POSITIVE LOCK WITH MTG. PEGS, 94V-0 BLACK HOUSING			
PART NO	ENG NO	CKT SIZE	PLATING OPTION
46999-0671	5566-02A3GS-400	2	30 M.I. SELECT GOLD
46999-0506	5566-04A3GS-400	4	30 M.I. SELECT GOLD
46999-0507	5566-05A3GS-400	5	30 M.I. SELECT GOLD
46999-0672	5566-06A3GS-400	6	30 M.I. SELECT GOLD
46999-0677	5566-02A3MS-400	2	MATTE TIN OVER NICKEL
46999-0577	5566-04A3MS-400	4	MATTE TIN OVER NICKEL
46999-0578	5566-05A3MS-400	5	MATTE TIN OVER NICKEL
46999-0678	5566-06A3MS-400	6	MATTE TIN OVER NICKEL

<b>SYMBOLS</b> = 0 = 0 = 0 = 0 = 0 = 0 = 0 = 0 = 0	THIS DRAWING CONTAINS INFORMATION THAT IS PROPRIETARY TO MOLEX ELECTRONIC TECHNOLOGIES, LLC AND SHOULD NOT BE USED WITHOUT WRITTEN PERMISSION															
	DIMENSION UNITS		SCALE		CURRENT REV DESC: MIGRATED											
	IN/MM		1:1													
	GENERAL TOLERANCES (UNLESS SPECIFIED)				EC NO: 600618 DRWN: JBAUMERT 2018/07/30 CHK'D: DSTEIER 2018/12/07 APPR: FSMITH 2019/01/03						VERT HDR ASSY W/ PEGS MINIFIT JR SR					
	4 PLACES ±		MM												INCH	
	3 PLACES ±		0.38		0.02		INITIAL REVISION:		DOCUMENT NUMBER <b>55660001-SD</b>							
	2 PLACES ±		0.5		0		DRWN: KSS 1989/02/19						DOC TYPE		DOC PART	
	1 PLACE ±		0.5		0		APPR: FSMITH 2012/05/06		PSD		000		A			
	0 PLACES ±		ANGULAR TOL ± 0.5 °		THIRD ANGLE PROJECTION		DRAWING		SERIES		MATERIAL NUMBER		CUSTOMER		SHEET NUMBER	
	DRAFT WHERE APPLICABLE MUST REMAIN WITHIN DIMENSIONS		C-SIZE		5566		SEE TABLE						3 OF 3			