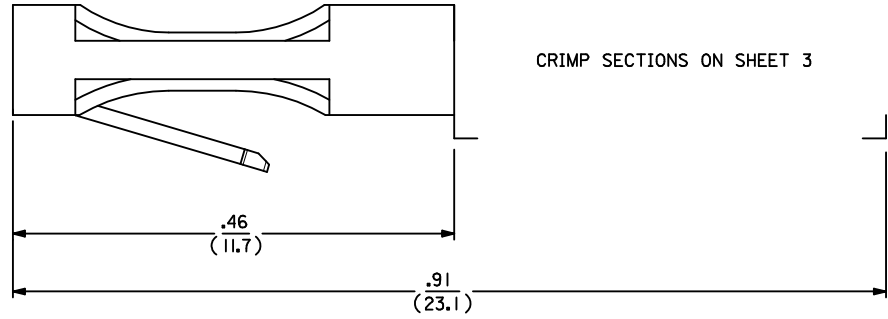
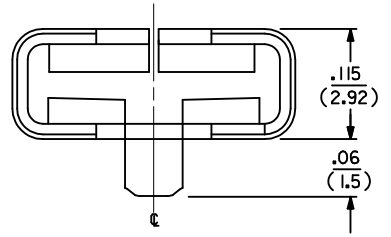
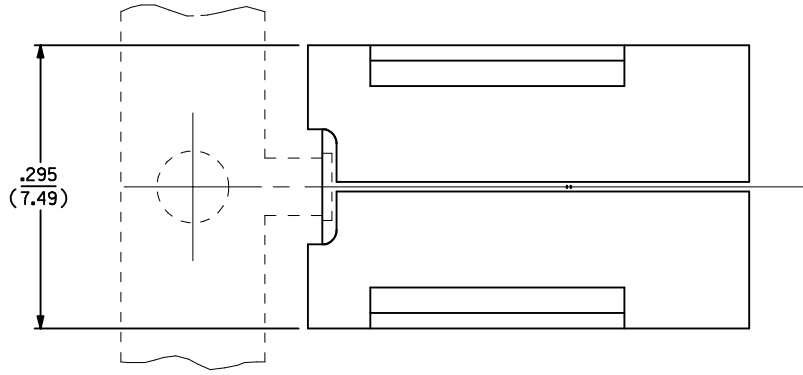


NOTES:

- 1 THIS TERMINAL IS FOR USE WITH .250/(6.35) X .032/(0.81) SPADES AND CRIMPING TO *10 TO *18 AWG WIRE WITH .031/(0.79) THICK INSULATION.
- 2 IN ANY HOUSING DESIGN USING THIS TERMINAL, ESPECIALLY WHEN LOW INSERTION FORCES ARE EXPECTED, SOME SORT OF LOCKING DEVICE SHOULD BE CONSIDERED.



MATERIAL:
SEE SHEET 2

FINISH:
SEE SHEET 2

3	K1
2	H2
1	K2

UPDATED L TAB EC NO: UCP2010-1707 DRWN: AELHAG 2010/02/12 CHKD: AELHAG 2010/02/22 APPR: FSMITH 2010/02/22	QUALITY SYMBOLS	GENERAL TOLERANCES (UNLESS SPECIFIED)	DIMENSION STYLE	SCALE	DESIGN UNITS	THIRD ANGLE PROJECTION
	▽=0	mm INCH	IN/MM	10:1	INCH	
	▽=0	4 PLACES ± --- ± ---	DRAWN BY DATE	TITLE TERMINAL PUSH-ON CRIMP		
	▽=0	3 PLACES ± 0.01 ± ---	RWK 01/26/89			
	2 PLACES ± 0.014 ± .25	CHECKED BY DATE	MOLEX INCORPORATED			
	1 PLACE ± --- ± .35	RHR 01/26/89				
	ANGULAR ± 1/2°	APPROVED BY DATE	MATERIAL NO. DOCUMENT NO. SHEET NO. SEE CHART SD-41422-3* 1 OF 3			
		RAS 01/26/89				
		DRAFT WHERE APPLICABLE MUST REMAIN WITHIN DIMENSIONS				
		THIS DRAWING CONTAINS INFORMATION THAT IS PROPRIETARY TO MOLEX INCORPORATED AND SHOULD NOT BE USED WITHOUT WRITTEN PERMISSION				

PART NO.	ENG. NO.	MATERIAL	MATERIAL EDP NUMBER	FINISH		CONTACT GAP	WIRE RANGE	FORM
				PLATING	LUBRICATION			
040-02-1601	41422-3A2N5A1	A	080-02-1608	2	N	5	A	I
040-02-1602	41422-3A2N5B1	A	080-02-1608	2	N	5	B	I

41422

MATERIALS:

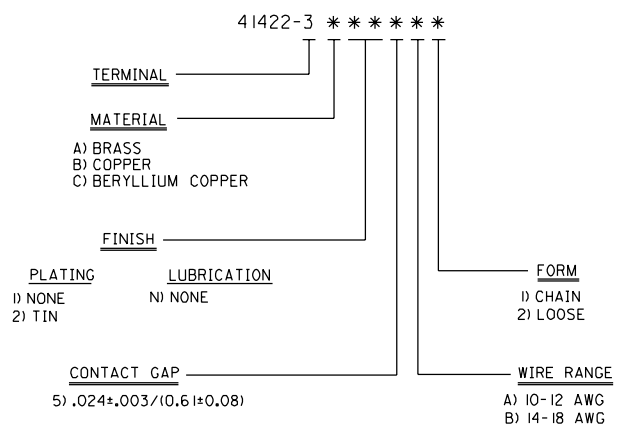
- A) BRASS, ALLOY #C26000, TEMPER: SPRING, .016/(0.4) THICK.
- B) COPPER, ALLOY #C19500, TEMPER: SPRING, .016/(0.4) THICK.
- C) BERYLLIUM COPPER, ALLOY #C17400, .016/(0.4) THICK.

FINISHES:

PLATING

- 2) HOT TIN DIP, SDES-88-P901.

ENGINEERING NUMBER SYSTEM

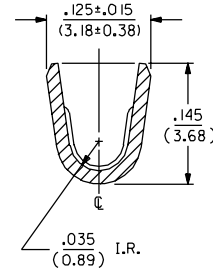
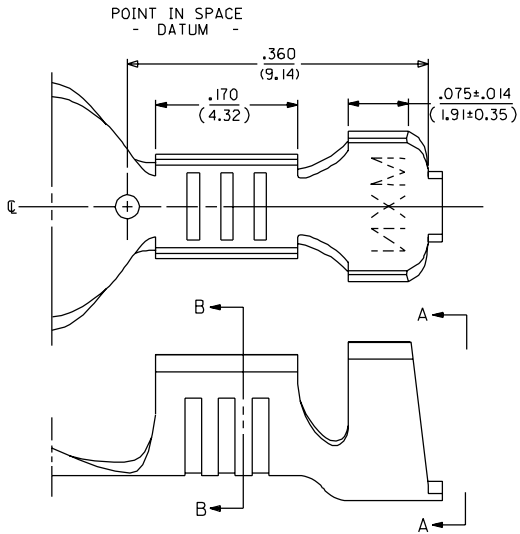


H2	SEE SHEET I
H1	SEE SHEET I
G1	SEE SHEET I
G	SEE SHEET I
F	SEE SHEET I
E	SEE SHEET I
D	SEE SHEET I
C	SEE SHEET I

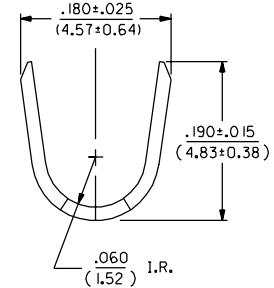
DIMENSIONS SHOWN (METRIC) INCH		▽ = 0	▼ = 0	REVISE ONLY ON CAD SYSTEM
UNLESS OTHERWISE SPECIFIED TOLERANCES: ANGULAR ± .042		TITLE		
3 PLACE ±		TERMINAL, PUSH-ON, CRIMP		
2 PLACE ±		MOLEX INCORPORATED		
1 PLACE ±		LITSE,ILL. 60532 U.S.A.		
DRAFT WHERE APPLICABLE MUST REMAIN WITHIN DIMENSIONS		PART NO. SHEET NO. DATE		
DRAWN BY: RWK		SEE CHART SD-41422-3		
APP'D BY: RAS		FILE NAME: T41422.S06		
SCALE: :		REV. SIZE: CP C		

41422

14-18 AWG WIRE

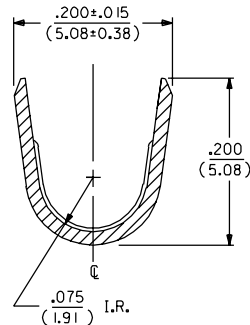
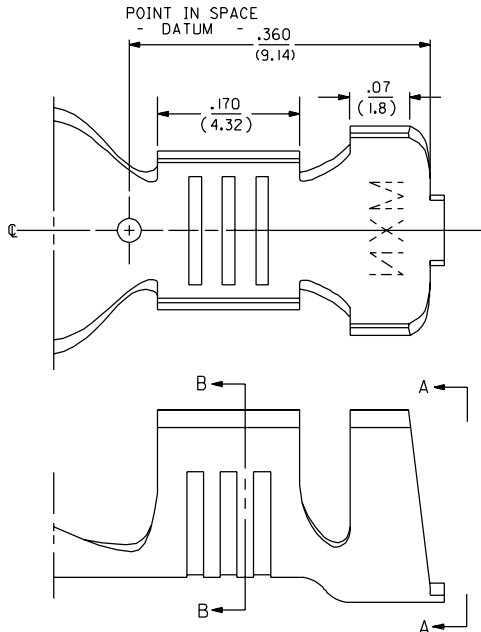


SECTION B-B

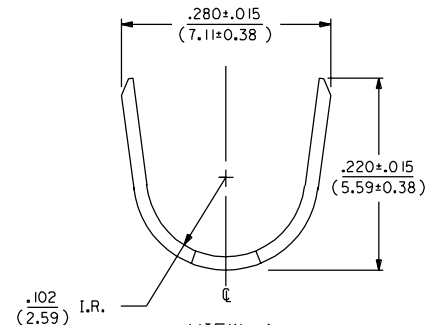


VIEW A

10-12 AWG WIRE



SECTION B-B



VIEW A

KI	SEE SHEET I
K	SEE SHEET I
I	SEE SHEET I
HI	SEE SHEET I
D	SEE SHEET I
C	SEE SHEET I

DIMENSIONS SHOWN METRIC (INCH)		▽ = 0	▽ = 0	REVISE ONLY ON CAD SYSTEM
UNLESS OTHERWISE SPECIFIED TOLERANCES ANGULAR ± .040°		TITLE		
INCH METRIC		TERMINAL, PUSH-ON, CRIMP		
3 PLACE ± .010	---	MOLEX INCORPORATED		
2 PLACE ± .014	± 0.25	L15LEJLL 60532		
1 PLACE ---	± 0.35	U.S.A.		
DRAFT WHERE APPLICABLE MUST REMAIN WITHIN DIMENSIONS		PART NO.	DRWG. NO.	DATE
		SEE CHART	SD-41422-3	01/30/89
DRWG. BY: RWK	CHKD. BY: RHR	FILE NAME	REV.	SIZE
APP'D. BY:	SCALE :	THIS DRAWING CONTAINS INFORMATION THAT IS PROPRIETARY TO MOLEX INC. AND SHOULD NOT BE USED WITHOUT WRITTEN PERMISSION.		