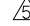
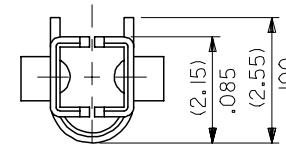
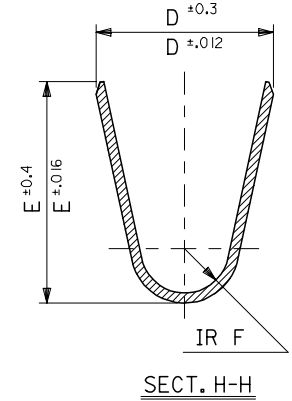
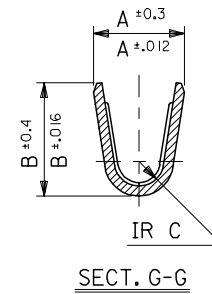
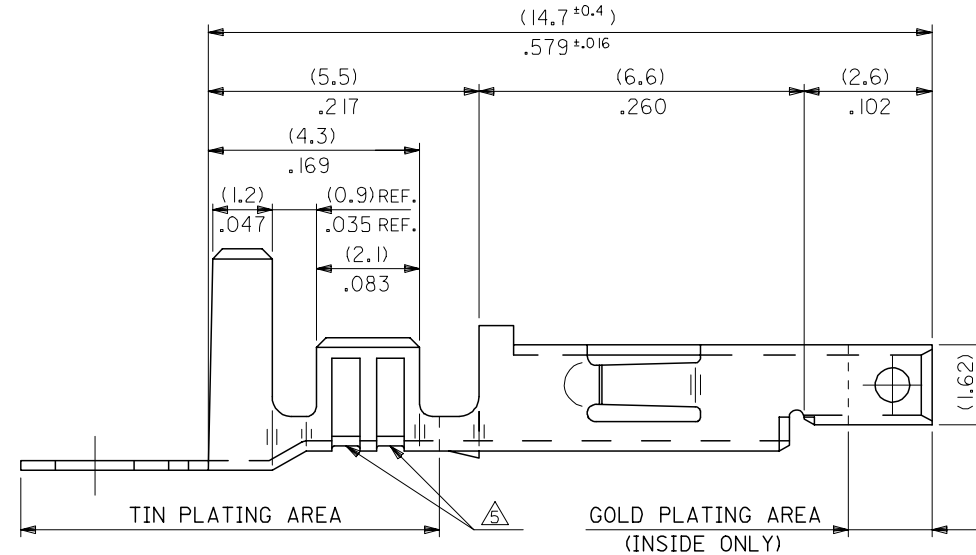
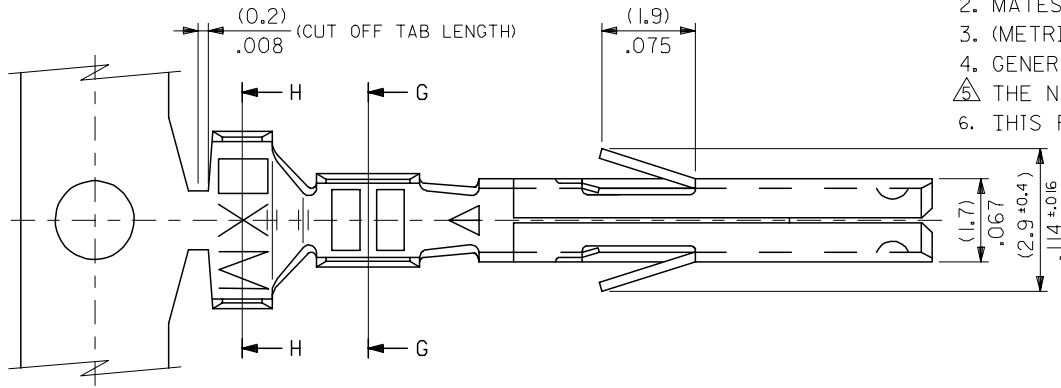


10 9 8 7 6 5 4 3 2 1

NOTES

1. APPLICABLE HOUSING : 5557 SERIES.
2. MATES WITH TERMINAL : 5558, 5566, 5569 SERIES.
3. (METRIC) VALUES SHOWN GOVERN OVER ENGLISH CONVERSION VALUES.
4. GENERAL TOLERANCES OF ENGLISH CONVERSION VALUES : ±.008 INCH.
5.  THE NUMBER OF SERRATIONS TO BE ONE FOR WIRE RANGE #22-28.
6. THIS PRODUCT IS LEAD FREE OF 5556GS**.



5556GS**7F
MODEL NO.

REVISED EC NO: J2006-1748 DRWN: NABE1 2005/11/28 CHKDK: TOYODA 2005/11/28 APPR: NUKITA 2005/11/30	GENERAL TOLERANCES (UNLESS SPECIFIED)		DIMENSION STYLE MM ONLY	SCALE 10:1	DESIGN UNITS METRIC	THIRD ANGLE PROJECTION
	10 UNDER	± 0.2	DRAWN BY M. NABE1	DATE '04/04/08	TITLE NEW MINI. FIT CONN. CRIMP RECEPTACLE -LEAD FREE-	
	10 OVER 30 UNDER	± 0.25	CHECKED BY K. TOJO	DATE '04/04/08	MOLEX INCORPORATED	
	30 OVER	± 0.3	APPROVED BY M. SASAO	DATE '04/04/08	DOCUMENT NO. SD-5556-003	SHEET NO. 1 OF 2
	ANGULAR	± 3 °	MATERIAL NO. SEE CHART			
DRAFT WHERE APPLICABLE MUST REMAIN WITHIN DIMENSIONS		THIS DRAWING CONTAINS INFORMATION THAT IS PROPRIETARY TO MOLEX INCORPORATED AND SHOULD NOT BE USED WITHOUT WRITTEN PERMISSION				

10 9 8 7 6 5 4 3 2 1

F

F

E

E

D

D

C

C

B

B

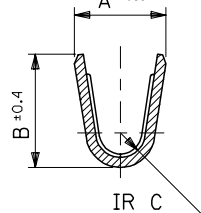
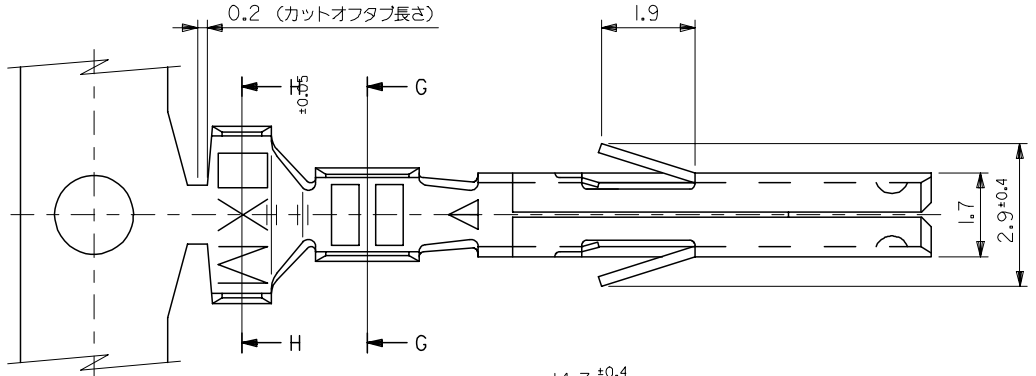
A

A

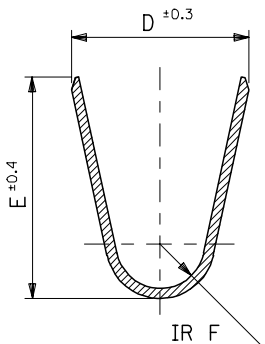
BRASS	SELECTIVE GOLD (0.76 MICROMETER)/30m.i. MIN. AND SELECTIVE TIN (1.0 MICROMETER)/100m.i. MIN. OVER NICKEL (1.27 MICROMETER)/50m.i. MIN.	(0.9)	(4.5)	(3.6)	(0.6)	(2.7)	(2.3)	∅ (3.1)	#16	39-00-0448	5556 GS3L7F	LOOSE	
		.035	.177	.142	.024	.106	.091	.122	MAX		39-00-0447	5556 GS37F	CHAIN
		(0.6)	(2.3)	(2.3)	(0.4)	(1.65)	(1.8)	∅ (0.9-1.8)	#22-28	39-00-0435	5556 GS2L7F	LOOSE	
		.024	.091	.091	.016	.065	.071	.035-.071		39-00-0434	5556 GS27F	CHAIN	
		(0.9)	(4.5)	(3.6)	(0.5)	(2.3)	(1.9)	∅ (1.3-3.1)	#18-24	39-00-0429	5556 GSL7F	LOOSE	
		.035	.177	.142	.020	.091	.075	.051-.122		39-00-0428	5556 GS7F	CHAIN	
MATERIAL	FINISH	F	E	D	C	B	A	INS. RANGE	WIRE RANGE	EDP NO.	ENG. NO.	FORM	

REVISED EC NO: J2006-1748 DRWN: NABE1 2005/11/28 CHKD: KTOYODA 2005/11/28 APPR: NUKITA 2005/11/30	DESCRIPTION REV	GENERAL TOLERANCES (UNLESS SPECIFIED)		DIMENSION STYLE MM ONLY		SCALE 10:1	DESIGN UNITS METRIC	THIRD ANGLE PROJECTION		
		10 UNDER	± 0.2	DRAWN BY M. NABE1	DATE '04/04/08	TITLE NEW MINI. FIT CONN. CRIMP RECEPTACLE -LEAD FREE-				
		10 OVER 30 UNDER	± 0.25	CHECKED BY K. TOJO	DATE '04/04/08					
		30 OVER	± 0.3	APPROVED BY M. SASAO	DATE '04/04/08	MOLEX INCORPORATED				
		ANGULAR	± 3 °	MATERIAL NO.	DOCUMENT NO.	SHEET NO.				
DRAFT WHERE APPLICABLE MUST REMAIN WITHIN DIMENSIONS		SIZE A3	SEE CHART		SD-5556-003	2 OF 2				

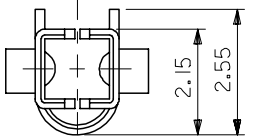
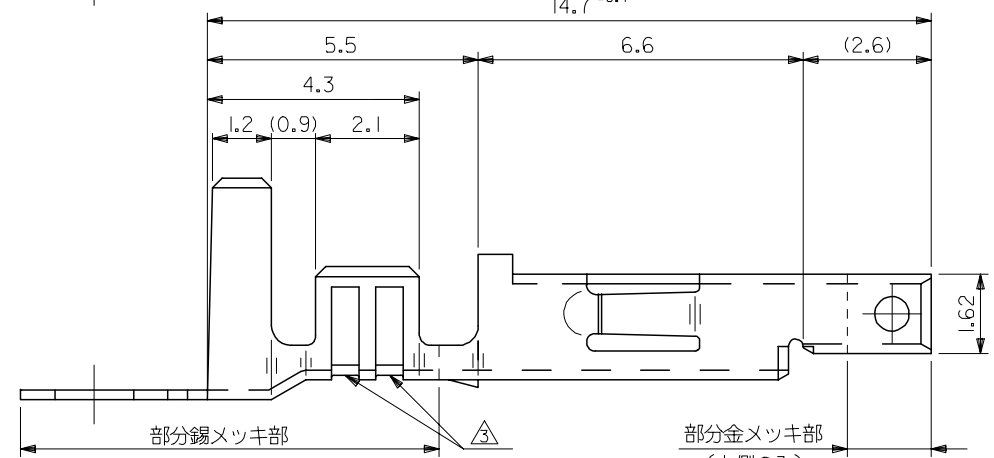
10 9 8 7 6 5 4 3 2 1



SECT. G-G



SECT. H-H



- 注記**
- 適合ハウジング：5557 シリーズ
 - 嵌合相手：5558, 5566, 5569 シリーズ
 - 適用電線が#22-28の製品のセレーション数は1とする。
 - 5556GS7F は 5556GS の鉛フリー品である。
5556GSL7F は 5556GSL の鉛フリー品である。
5556GS27F は 5556GS2 の鉛フリー品である。
5556GS2L7F は 5556GS2L の鉛フリー品である。
5556GS37F は 5556GS3 の鉛フリー品である。
5556GS3L7F は 5556GS3L の鉛フリー品である。

部分金メッキ : 0.76 μm MIN. 部分錫メッキ : 2.54 μm MIN. ニッケルメッキ (下地) : 1.27 μm MIN.	0.9	4.5	3.6	0.6	2.7	2.3	∅3.1 MAX.	#16	39-00-0448	5556GS3L7F	バラ状
	0.6	2.3	2.3	0.4	1.65	1.8	∅0.9-1.8	#22-28	39-00-0435	5556GS2L7F	バラ状
									↑ -0434	↑ GS27F	連鎖状
									↓ -0429	↓ GSL7F	バラ状
	0.9	4.5	3.6	0.5	2.3	1.9	∅1.3-3.1	#18-24	39-00-0428	5556GS7F	連鎖状
メッキ	F	E	D	C	B	A	被覆外径	適用電線	EDP NO.	ENG. NO.	端子形状

材料 MATERIAL	黄銅 (板厚: 0.203)
仕上げ FINISH	表参照
適用電線範囲 WIRE RANGE	表参照
被覆外径 INS. RANGE	表参照

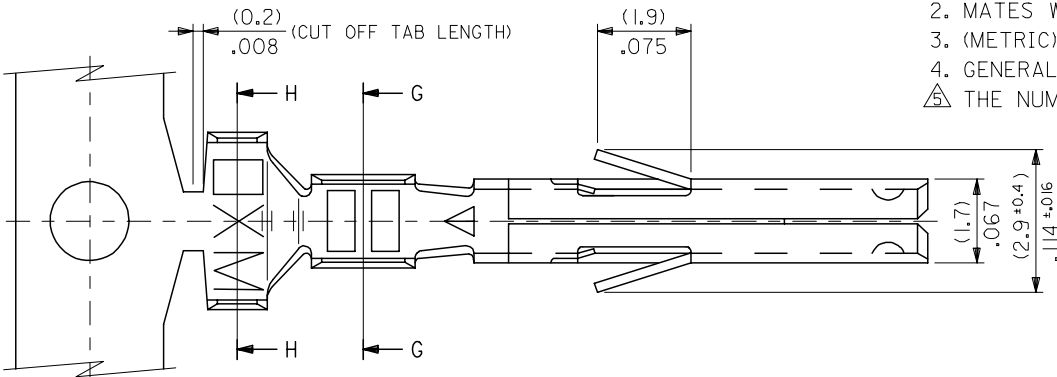
REVISED	2005/11/28
EC NO: J2006-4748	2005/11/28
DRW: NABEI	2005/11/28
CHK: KATOYODA	2005/11/30
APP: NUKITA	
REV	A

GENERAL TOLERANCES (UNLESS SPECIFIED)	
10 UNDER	±0.2
10 OVER 30 UNDER	±0.25
30 OVER	±0.3
ANGULAR	±3 °
DRAFT WHERE APPLICABLE MUST REMAIN WITHIN DIMENSIONS	

DIMENSION STYLE		SCALE
MM ONLY		10:1
DRAWN BY	DATE	TITLE
M. NAGATA	'04/05/31	NEW MINI FIT CONN CRIMP RECEPTACLE -LEAD FREE-
CHECKED BY	DATE	
K. TOJO	'04/05/31	MOLEX INCORPORATED
APPROVED BY	DATE	
M. SASAO	'04/05/31	DOCUMENT NO.
MATERIAL NO.	SEE CHART	SD-5556-004
SIZE	A3	SHEET NO.
		1 OF 1

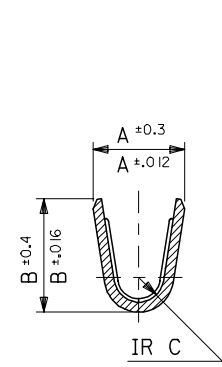
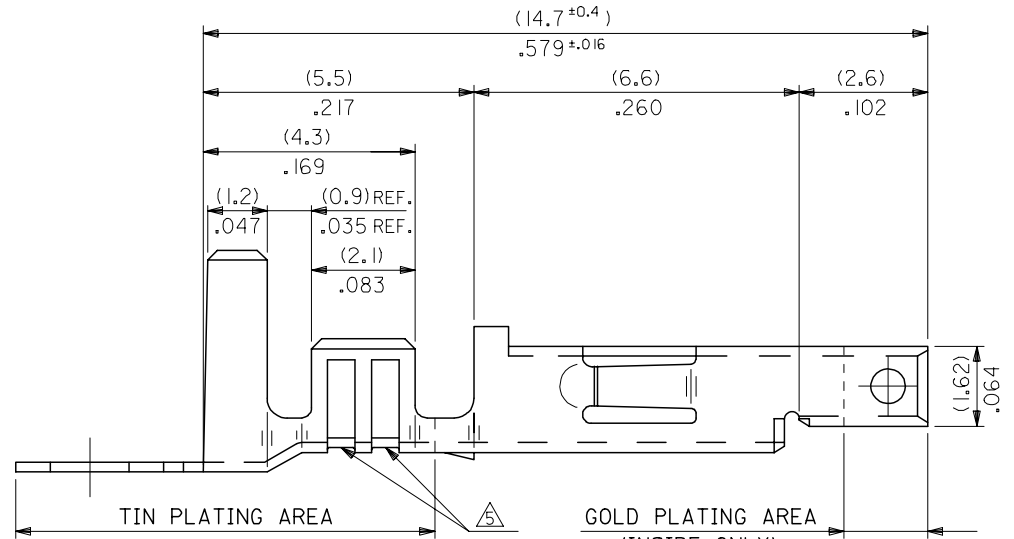
5556GS**7F MODEL NO.
DESIGN UNITS METRIC THIRD ANGLE PROJECTION
NEW MINI FIT CONN CRIMP RECEPTACLE -LEAD FREE-
MOLEX INCORPORATED
DOCUMENT NO. SD-5556-004
SHEET NO. 1 OF 1
THIS DRAWING CONTAINS INFORMATION THAT IS PROPRIETARY TO MOLEX INCORPORATED AND SHOULD NOT BE USED WITHOUT WRITTEN PERMISSION

10 9 8 7 6 5 4 3 2 1

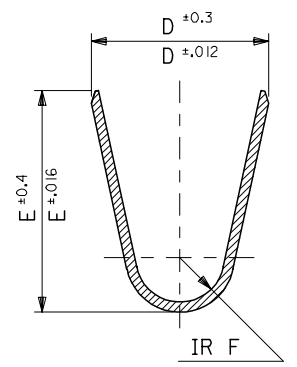


NOTES

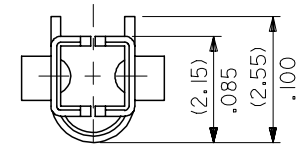
1. APPLICABLE HOUSING : 5557 SERIES.
 2. MATES WITH TERMINAL : 5558, 5566, 5569 SERIES.
 3. (METRIC) VALUES SHOWN GOVERN OVER ENGLISH CONVERSION VALUES.
 4. GENERAL TOLERANCES OF ENGLISH CONVERSION VALUES : ±.008 INCH.
- △ THE NUMBER OF SERRATIONS TO BE ONE FOR WIRE RANGE #22-28.



SECT. G-G



SECT. H-H



5556**GS**
MODEL NO.

REVISED EC NO: J2005-2571 DRAWN: SUZUKI CHKD: K1010 APPR: NUKITA 2005/03/25 2005/03/29 2005/03/29	GENERAL TOLERANCES (UNLESS SPECIFIED)		DIMENSION STYLE	SCALE	DESIGN UNITS	THIRD ANGLE PROJECTION	
			MM ONLY	10:1	METRIC		
	10 UNDER	±0.2	DRAWN BY	DATE	TITLE		
	10 OVER 30 UNDER	±0.25	HHIRAMOT	'91/05/18	NEW MINI FIT CONN CRIMP RECEPTACLE -LEAD FREE-		
	30 OVER	±0.3	CHECKED BY	DATE	MOLEX INCORPORATED		
ANGULAR	±3 °	MFUKUSHI	'98/11/09	MATERIAL NO.			
DRAFT WHERE APPLICABLE MUST REMAIN WITHIN DIMENSIONS		APPROVED BY	DATE	DOCUMENT NO.		SHEET NO.	
		MENOMOTO	'98/11/09	SD-5556-006		1 OF 2	
		SEE CHART					
THIS DRAWING CONTAINS INFORMATION THAT IS PROPRIETARY TO MOLEX INCORPORATED AND SHOULD NOT BE USED WITHOUT WRITTEN PERMISSION							

10 9 8 7 6 5 4 3 2 1

F

E

D

C

B

A

F

E

D

C

B

A

PHOSPHOR BRONZE	SELECTIVE GOLD (0.76μm)/30m.i. MIN. AND SELECTIVE TIN (2.54μm)/100m.i. MIN. OVER NICKEL (1.27μm)/50m.i. MIN.	(0.9) .035	(4.5) .177	(3.6) .142	(0.6) .024	(2.7) .106	(2.3) .091	∅ (3.1) .122 MAX.	# 16	39-00-0158 ↑ -0157	5556 PBGS3L ↑ PBGS3	LOOSE CHAIN	
		(0.6) .024	(2.3) .091	(2.3) .091	(0.4) .016	(1.65) .065	(1.8) .071	∅ (0.9-1.8) .035-.071	#22-28	-0156 -0155	PBGS2L PBGS2	LOOSE CHAIN	
		(0.9) .035	(4.5) .177	(3.6) .142	(0.5) .020	(2.3) .091	(1.9) .075	∅ (1.3-3.1) .051-.122	#18-24	-0154 -0153	PBGS L PBGS	LOOSE CHAIN	
		(0.9) .035	(4.5) .177	(3.6) .142	(0.5) .020	(2.3) .091	(1.9) .075	∅ (1.3-3.1) .051-.122	#18-24	-0441 -0440	GS IOL7F GS I07F	LOOSE CHAIN	
	SELECTIVE GOLD (1.27μm)/50m.i. MIN. AND SELECTIVE TIN (2.54 μm)/100 m.i. MIN. OVER NICKEL (1.27μm)/50m.i. MIN. ©	(0.9) .035	(4.5) .177	(3.6) .142	(0.6) .024	(2.7) .106	(2.3) .091	∅ (3.1) .122 MAX.	# 16	-0142 -0141	GS9L GS9	LOOSE CHAIN	
		(0.6) .024	(2.3) .091	(2.3) .091	(0.4) .016	(1.65) .065	(1.8) .071	∅ (0.9-1.8) .035-.071	#22-28	↓ -0140	GS8L	LOOSE	
		(0.9) .035	(4.5) .177	(3.6) .142	(0.5) .020	(2.3) .091	(1.9) .075	∅ (1.3-3.1) .051-.122	#18-24	39-00-0139 40-13-0852	GS8 GS7L	CHAIN LOOSE	
		(0.9) .035	(4.5) .177	(3.6) .142	(0.5) .020	(2.3) .091	(1.9) .075	∅ (1.3-3.1) .051-.122	#18-24	40-13-0851	GS7	CHAIN	
	BRASS	SELECTIVE GOLD (0.38μm)/15m.i. MIN. AND SELECTIVE TIN (2.54 μm)/100 m.i. MIN. OVER NICKEL (1.27μm)/50m.i. MIN. ©	(0.9) .035	(4.5) .177	(3.6) .142	(0.6) .024	(2.7) .106	(2.3) .091	∅ (3.1) .122 MAX.	# 16	39-00-0094 ↑ -0093	GS6L GS6	LOOSE CHAIN
			(0.6) .024	(2.3) .091	(2.3) .091	(0.4) .016	(1.65) .065	(1.8) .071	∅ (0.9-1.8) .035-.071	#22-28	-0092 -0091	GS5L GS5	LOOSE CHAIN
			(0.9) .035	(4.5) .177	(3.6) .142	(0.5) .020	(2.3) .091	(1.9) .075	∅ (1.3-3.1) .051-.122	#18-24	-0074 -0073	GS4L GS4	LOOSE CHAIN
			(0.9) .035	(4.5) .177	(3.6) .142	(0.6) .024	(2.7) .106	(2.3) .091	∅ (3.1) .122 MAX.	# 16	-0090 -0089	GS3L GS3	LOOSE CHAIN
SELECTIVE GOLD (0.76μm)/30m.i. MIN. AND SELECTIVE TIN (2.54μm)/100m.i. MIN. OVER NICKEL (1.27μm)/50m.i. MIN.		(0.6) .024	(2.3) .091	(2.3) .091	(0.4) .016	(1.65) .065	(1.8) .071	∅ (0.9-1.8) .035-.071	#22-28	-0435 -0434	GS2L7F GS27F	LOOSE CHAIN	
		(0.9) .035	(4.5) .177	(3.6) .142	(0.5) .020	(2.3) .091	(1.9) .075	∅ (1.3-3.1) .051-.122	#18-24	↓ -0429	GS L7F	LOOSE	
		(0.9) .035	(4.5) .177	(3.6) .142	(0.5) .020	(2.3) .091	(1.9) .075	∅ (1.3-3.1) .051-.122	#18-24	39-00-0428	5556 GS7F	CHAIN	
		(0.9) .035	(4.5) .177	(3.6) .142	(0.5) .020	(2.3) .091	(1.9) .075	∅ (1.3-3.1) .051-.122	#18-24				
MATERIAL	FINISH		F	E	D	C	B	A	INS. RANGE	WIRE RANGE	EDP NO.	ENG. NO.	FORM

REVISED EC NO: J2005-2571 DRAWN: SUZUKI 2005/03/25 CHKD: K1010 2005/03/29 APP: NUKITA 2005/03/29	GENERAL TOLERANCES (UNLESS SPECIFIED)		DIMENSION STYLE MM ONLY		SCALE 10:1	DESIGN UNITS METRIC	THIRD ANGLE PROJECTION	
	10 UNDER	±0.2	DRAWN BY HHIRAMOT	DATE '91/05/18	TITLE NEW MINI FIT CONN CRIMP RECEPTACLE -LEAD FREE-			
	10 OVER 30 UNDER	±0.25	CHECKED BY MFUKUSHI	DATE '98/11/09				
	30 OVER	±0.3	APPROVED BY MENOMOTA	DATE '98/11/09	MOLEX INCORPORATED			
ANGULAR	±3 °	MATERIAL NO.	DOCUMENT NO.	SHEET NO.				
DRAFT WHERE APPLICABLE MUST REMAIN WITHIN DIMENSIONS		SEE CHART		SD-5556-006		2 OF 2		
THIS DRAWING CONTAINS INFORMATION THAT IS PROPRIETARY TO MOLEX INCORPORATED AND SHOULD NOT BE USED WITHOUT WRITTEN PERMISSION								