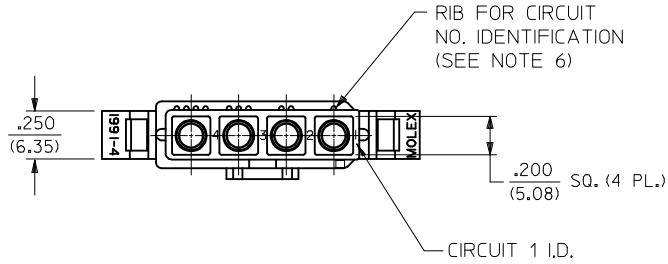
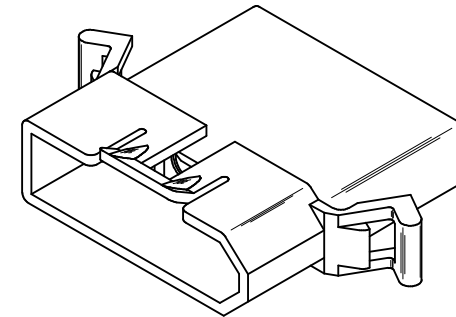
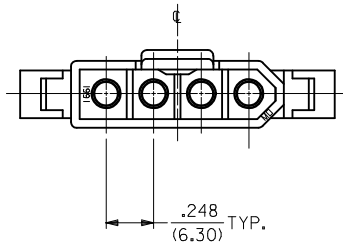
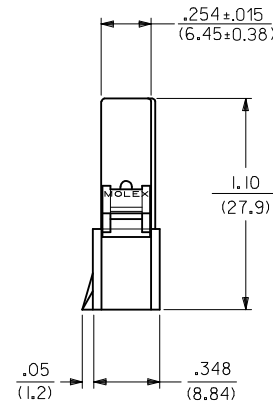
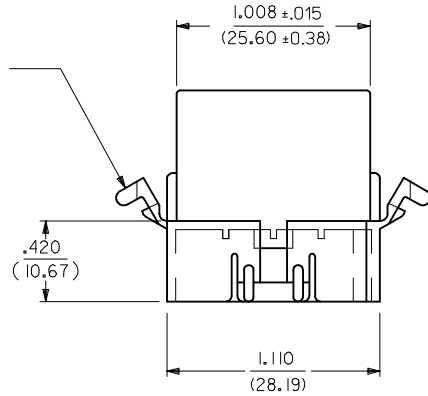


PLUG



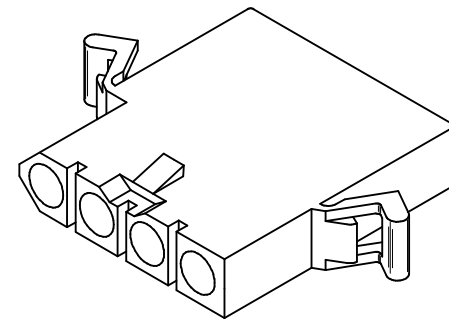
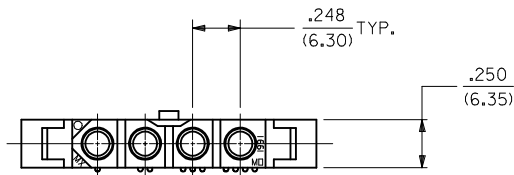
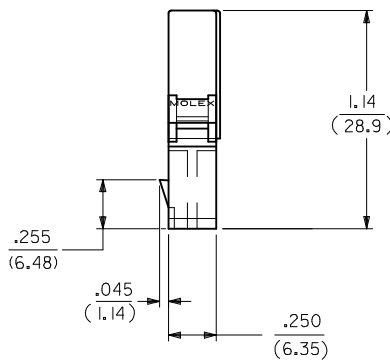
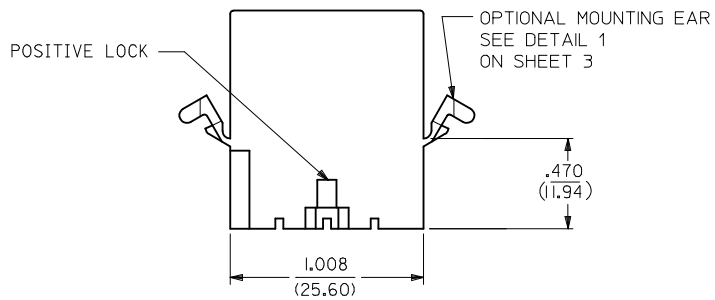
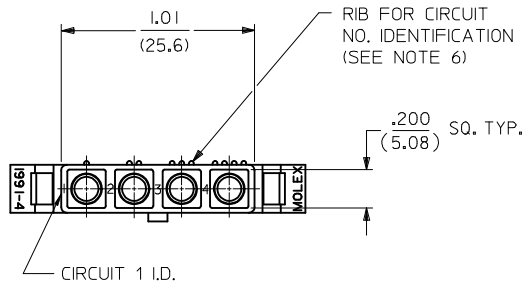
OPTIONAL MOUNTING EAR
SEE DETAIL 1
ON SHEET 3



PLUG HOUSING

NOTE REFERENCE EC NO: UCP2014-3949 DRW:MKIPPER 2014/04/17 CHK:DBANDERSON 2014/04/17 APPR:FSMITH 2014/06/10	QUALITY SYMBOLS ∇=0 ∇=0 ∇=0	GENERAL TOLERANCES (UNLESS SPECIFIED)		DIMENSION STYLE IN/MM	SCALE 2:1	DESIGN UNITS INCH	THIRD ANGLE PROJECTION	
		4 PLACES ± --- ± --- 3 PLACES ± --- ± .010 2 PLACES ± 0.25 ± .014 1 PLACE ± 0.35 ± --- 0 PLACE ± --- ± ---	mm INCH DRAWN BY DATE AELHAG 2007/06/23 CHECKED BY DATE LSCHMIDT 2007/07/23 APPROVED BY DATE FSMITH 2014/06/10	TITLE .093/(2.36) HOUSINGS, PLUG AND RECEPTACLE, 4 CKT, .248/(6.30) CTRS.		MATERIAL NO. SEE CHART	DOCUMENT NO. SD-1991-4**1	SHEET NO. 1 OF 3
		ANGULAR ± 1 °		DRAFT WHERE APPLICABLE MUST REMAIN WITHIN DIMENSIONS				
		A1	REV	SIZE C		THIS DRAWING CONTAINS INFORMATION THAT IS PROPRIETARY TO MOLEX INCORPORATED AND SHOULD NOT BE USED WITHOUT WRITTEN PERMISSION		

RECEPTACLE



RECEPTACLE HOUSING

SEE SHEET 1 EC NO: UCP2014-3949 DRWN:KIPPER 2014/04/17 CHKD:ANDERSON 2014/04/17 APPR:FSMITH 2014/06/10	QUALITY SYMBOLS ▽=0 ▽=0 ▽=0	GENERAL TOLERANCES (UNLESS SPECIFIED)		DIMENSION STYLE IN/MM	SCALE 2:1	DESIGN UNITS INCH	THIRD ANGLE PROJECTION						
		4 PLACES ± --- ± ---	3 PLACES ± --- ± .010	2 PLACES ± 0.25 ± .014	1 PLACE ± 0.35 ± ---	0 PLACE ± --- ± ---	DRAWN BY AELHAG	DATE 2007/06/23	CHECKED BY LSCHMIDT	DATE 2007/07/23	APPROVED BY FSMITH	DATE 2014/06/10	TITLE .093/(2.36) HOUSINGS, PLUG AND RECEPTACLE, 4 CKT, .248/(6.30) CTRS.
		ANGULAR ± 1 °		MATERIAL NO. SEE CHART		DOCUMENT NO. SD-1991-4**1		SHEET NO. 2 OF 3					
		DRAFT WHERE APPLICABLE MUST REMAIN WITHIN DIMENSIONS								THIS DRAWING CONTAINS INFORMATION THAT IS PROPRIETARY TO MOLEX INCORPORATED AND SHOULD NOT BE USED WITHOUT WRITTEN PERMISSION			

PLUG		RECEPTACLE	
PART NO.	ENG. NO.	PART NO.	ENG. NO.
50-36-1743	1991-4P1-1	50-36-1691	1991-4R1-1
50-36-1693	1991-4P2-1	50-36-1692	1991-4R2-1

LEGEND:

1991-4***-*

CIRCUIT SIZE

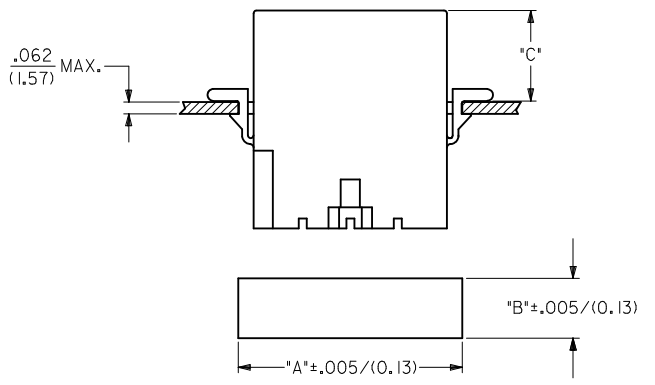
P = PLUG

R = RECEPTACLE

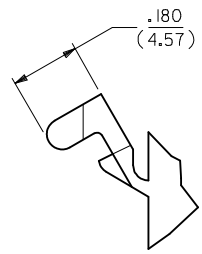
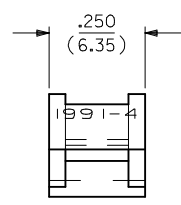
1 = WITHOUT EARS

2 = WITH PREBENT EARS, PER DETAIL 3

MATERIAL :
1 = CODE B



HOUSING	DIM. "A"	DIM. "B"	DIM. "C" STD.EAR	DIM. "C" PREBENT
PLUG	1.270/(32.26)	.365/(9.27)	.48/(12.2)	.52/(13.2)
RECEPTACLE	1.168/(29.67)	.311/(7.90)	.47/(11.9)	.51/(12.9)



DETAIL 1
PREBENT MOUNTING EAR
(SCALE 4:1)

- NOTES:
- 1. MATERIAL: B: NYLON (PA 6), UL94 V-0, GLOW WIRE CAPABLE PER IEC 60335-1, COLOR: BLACK
 - 2. FINISH: N/A
 - 3. PRODUCT SPECIFICATION: PS-02-09
 - 4. PACKAGING SPECIFICATION: PK-1991-001
 - 5. ACCEPTS MOLEX .093/(2.36) SERIES TERMINALS.
 - 6. CIRCUIT NUMBER IDENTIFICATION RIBS MAY OR MAY NOT BE PRESENT
 - 7. PARTS CONFORM TO CLASS B REQUIREMENTS OF COSMETIC SPECIFICATION: PS-45499-002 EXCEPT SINK AND DISCOLORATION MEETS CLASS 'C' REQUIREMENTS.

SEE SHEET 1 EC NO: UCP2014-3949 DRWN:KIPPER 2014/04/17 CHKD:ANDERSON 2014/04/17 APPR:FSMITH 2014/06/10	QUALITY SYMBOLS 	GENERAL TOLERANCES (UNLESS SPECIFIED)		DIMENSION STYLE IN/MM	SCALE 2:1	DESIGN UNITS INCH	THIRD ANGLE PROJECTION
		4 PLACES ± --- ± ---	DRAWN BY AELHAG	DATE 2007/06/23	TITLE .093/(2.36) HOUSINGS, PLUG AND RECEPTACLE, 4 CKT, .248/(6.30) CTRS.		
		3 PLACES ± --- ±.010	CHECKED BY LSCHMIDT	DATE 2007/07/23			
		2 PLACES ± 0.25 ±.014	APPROVED BY FSMITH	DATE 2014/06/10	MATERIAL NO. SEE CHART	DOCUMENT NO. SD-1991-4**1	SHEET NO. 3 OF 3
1 PLACE ± 0.35 ± ---	ANGULAR ± 1 °		DRAFT WHERE APPLICABLE MUST REMAIN WITHIN DIMENSIONS				
0 PLACE ± --- ± ---	THIS DRAWING CONTAINS INFORMATION THAT IS PROPRIETARY TO MOLEX INCORPORATED AND SHOULD NOT BE USED WITHOUT WRITTEN PERMISSION						