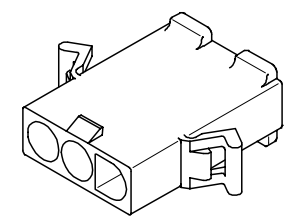
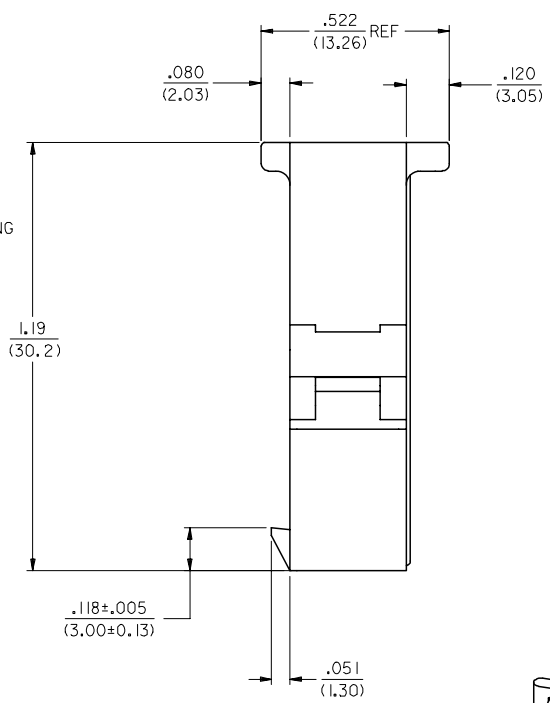
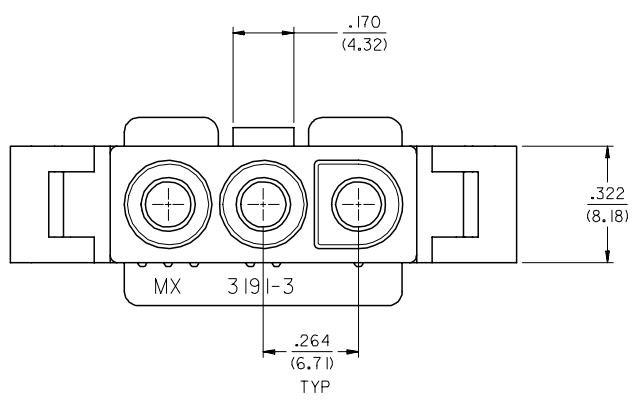
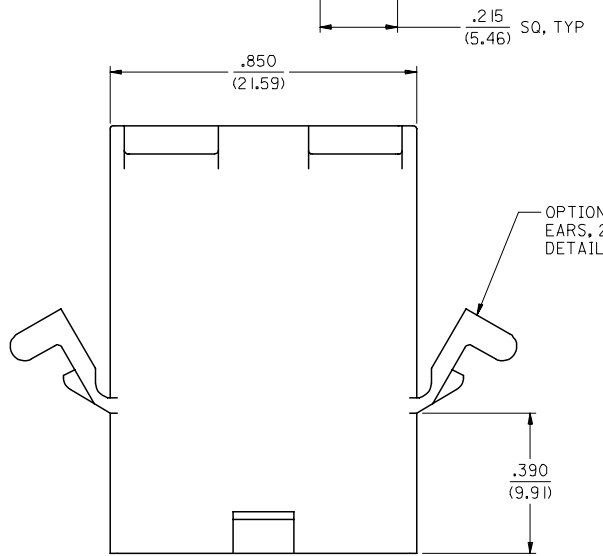
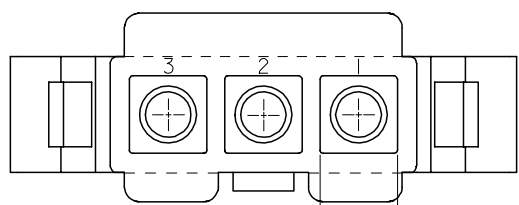


13 12 11 10 9 8 7 6 5 4 3 2 1

J  
I  
H  
G  
F  
E  
D  
C  
B  
A



**PLUG**

3	A
2	A
1	A
SHT. REV.	

INITIAL RELEASE FCC NO: UCP2008-0136 DRAWN BY: UCP2008-0136 CHECKED BY: UCP2008-0136 APPROVED BY: UCP2008-0136 DATE: 2007/07/25 DATE: 2007/07/27 DATE: 2007/07/27	DESCRIPTION QUALITY SYMBOLS ▽=0 ▽=0	GENERAL TOLERANCES (UNLESS SPECIFIED) mm INCH		DIMENSION STYLE IN/MM		SCALE 4:1	DESIGN UNITS INCH	THIRD ANGLE PROJECTION	
		4 PLACES ± --- ± --- 3 PLACES ± --- ± .010 2 PLACES ± 0.25 ± .015 1 PLACE ± 0.38 ± --- ANGULAR ±1/2°	DRAWN BY: AELHAG DATE: 2007/06/27 CHECKED BY: SCHMIDT DATE: 2007/07/19 APPROVED BY: FSMITHROEMER DATE: 2007/07/20 MATERIAL NO.	TITLE .093/(2.36) HOUSING PLUG AND RECEPTACLE, 3 CKT .264/(6.71) CTRS.		MOLEX INCORPORATED		DOCUMENT NO. SD-3191-3**1	
DRAFT WHERE APPLICABLE MUST REMAIN WITHIN DIMENSIONS		SEE CHART		THIS DRAWING CONTAINS INFORMATION THAT IS PROPRIETARY TO MOLEX INCORPORATED AND SHOULD NOT BE USED WITHOUT WRITTEN PERMISSION					

12 11 10 9 8 7 6 5 4 3 2 1

13	12	11	10	9	8	7	6	5	4	3	2	1
PLUG			RECEPTACLE									
PART NO.	ENG. NO.		PART NO.	ENG. NO.								
50-36-1722	3191-3P1-1		50-36-1689	3191-3R1-1								

**LEGEND**

3191-3\*\*\*\*-\*

CIRCUIT SIZE

P = PLUG

R = RECEPTACLE

EARS: BLANK = WITH PREBENT EARS (PLUG ONLY)

I = WITHOUT EARS

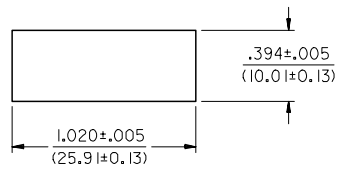
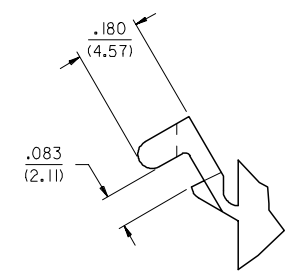
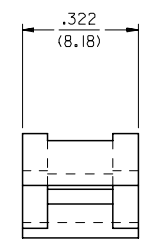
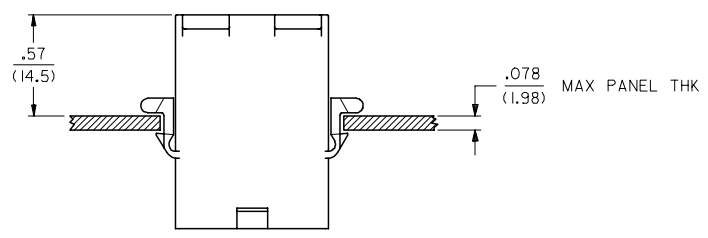
COLOR: NOT APPLICABLE

MATERIAL:

1: CODE B.

**NOTES:**

1. MATERIAL: B = NYLON (PA 6), UL94 V-0, IEC 60335-1, 4TH EDITION  
GLOW WIRE CAPABLE; COLOR: BLACK
2. FINISH: NONE
3. PRODUCT SPECIFICATION: PS-02-08
4. PACKAGING SPECIFICATION: PK-3191-001
5. PARTS CONFORM TO CLASS B REQUIREMENTS OF COSMETIC SPECIFICATION PS-45499-002 EXCEPT SINK AND DISCOLORATION MEETS CLASS 'C' REQUIREMENTS.



RECOMMENDED HOLE CUTOUT

**DETAIL "A"**  
PREBENT MOUNTING EAR  
(SCALE 4:1)

INITIAL RELEASE FC NO: UCP2008-0136 DRAWN: SCHMIDT 2007/07/25 CHKD: SCHMIDT 2007/07/27 APPR: FSM TH 2007/07/27 REV: A	QUALITY SYMBOLS =0 =0	GENERAL TOLERANCES (UNLESS SPECIFIED)		DIMENSION STYLE IN/MM		SCALE ---	DESIGN UNITS INCH	THIRD ANGLE PROJECTION
			mm	INCH	DRAWN BY AELHAG	DATE 2007/06/27	TITLE .093/(2.36) HOUSINGS, PLUG AND RECEPTACLE, 3 CKT .264/(6.71) CTRS.	
		4 PLACES ± --- ± ---			CHECKED BY .SCHMIDT	DATE 2007/07/19		
		3 PLACES ± --- ± .010			APPROVED BY FSM THROEMER	DATE 2007/07/20		
		2 PLACES ± 0.25 ± .015			MATERIAL NO.			
		1 PLACE ± 0.38 ± ---			ANGULAR ±1/2°			
					SEE CHART			
					DRAFT WHERE APPLICABLE MUST REMAIN WITHIN DIMENSIONS			
					SIZE C			
					THIS DRAWING CONTAINS INFORMATION THAT IS PROPRIETARY TO MOLEX INCORPORATED AND SHOULD NOT BE USED WITHOUT WRITTEN PERMISSION			
							DOCUMENT NO. SD-3191-3**1	SHEET NO. 3 OF 3