

PLEASE CHECK WWW.MOLEX.COM FOR LATEST PART INFORMATION

Part Number: [50-65-0104](#)
Status: **Active**
Overview: [C-Grid® Products](#)
Description: 2.54mm Pitch, SL™ Single Row Wire-to-Wire Panel Mount, 4 Circuits

Documents:

[3D Model](#) [RoHS Certificate of Compliance \(PDF\)](#)
[Drawing \(PDF\)](#)

Agency Certification

CSA LR19980
 UL E29179

General

Product Family Accessories
 Series [70104](#)
 Component Type Branch
 Overview [C-Grid® Products](#)
 Product Name SL™
 UPC 800754382632

Physical

Circuits (Loaded) 4
 Color - Resin Black
 Flammability 94V-0
 Lock to Mating Part Yes
 Material - Resin Polyester
 Net Weight 2.259/g
 Packaging Type Bag

Material Info

Old Part Number 701040003

Reference - Drawing Numbers

Sales Drawing SD-70104-0003-0024

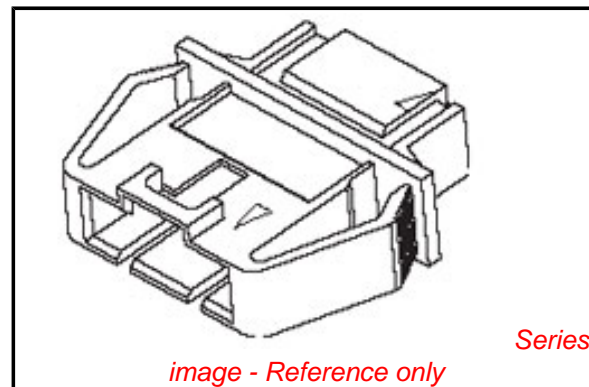


image - Reference only

EU RoHS

**ELV and RoHS
 Compliant**

REACH SVHC

Not Reviewed

Low-Halogen Status

Not Low-Halogen

China RoHS



**Need more information on product
 environmental compliance?**

Email productcompliance@molex.com
 For a multiple part number RoHS Certificate of
 Compliance, [click here](#)

Please visit the [Contact Us](#) section for any
 non-product compliance questions.

Search Parts in this Series

[70104Series](#)

Use With

[70066 SL™ Crimp Housing](#). [70475 SL™](#)
[IDT Connector Assembly](#). [70431 SL™ FFC/](#)
[FPC Connector](#)