

PLEASE CHECK WWW.MOLEX.COM FOR LATEST PART INFORMATION

Part Number: [50-65-0113](#)
Status: **Active**
Overview: [C-Grid® Products](#)
Description: 2.54mm Pitch, SL™ Single Row Wire-to-Wire Panel Mount, 13 Circuits

Documents:

[3D Model](#) [RoHS Certificate of Compliance \(PDF\)](#)
[Drawing \(PDF\)](#)

Agency Certification

CSA	LR19980
TUV	R72081037
UL	E29179

General

Product Family	Accessories
Series	70104
Component Type	Branch
Overview	C-Grid® Products
Product Name	SL™

Physical

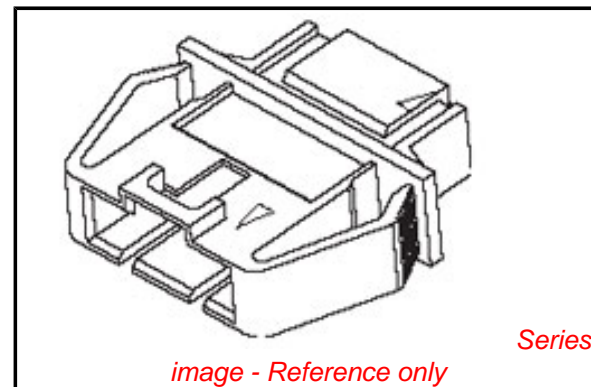
Circuits (Loaded)	13
Color - Resin	Black
Flammability	94V-0
Lock to Mating Part	Yes
Material - Resin	Polyester
Packaging Type	Bag

Material Info

Old Part Number	70104-0012
-----------------	------------

Reference - Drawing Numbers

Sales Drawing	SD-70104-0003-0024
---------------	--------------------



EU RoHS

**ELV and RoHS
Compliant**
**REACH SVHC
Not Reviewed**
**Low-Halogen Status
Not Reviewed**

China RoHS



**Need more information on product
environmental compliance?**

Email productcompliance@molex.com
 For a multiple part number RoHS Certificate of
 Compliance, [click here](#)

Please visit the [Contact Us](#) section for any
 non-product compliance questions.

Search Parts in this Series

[70104Series](#)

Use With

[70066 SL™ Crimp Housing](#). [70475 SL™
IDT Connector Assembly](#). [70431 SL™ FFC/
FPC Connector](#)