

**PLEASE CHECK WWW.MOLEX.COM FOR LATEST PART INFORMATION**

**Part Number:** [50-65-0120](#)  
**Status:** **Active**  
**Overview:** [C-Grid® Products](#)  
**Description:** 2.54mm Pitch, SL™ Single Row Wire-to-Wire Panel Mount, 20 Circuits

**Documents:**

[3D Model](#) [RoHS Certificate of Compliance \(PDF\)](#)  
[Drawing \(PDF\)](#)

**Agency Certification**

CSA	LR19980
TUV	R72081037
UL	E29179

**General**

Product Family	Accessories
Series	<a href="#">70104</a>
Component Type	Branch
Overview	<a href="#">C-Grid® Products</a>
Product Name	SL™
UPC	800753577619

**Physical**

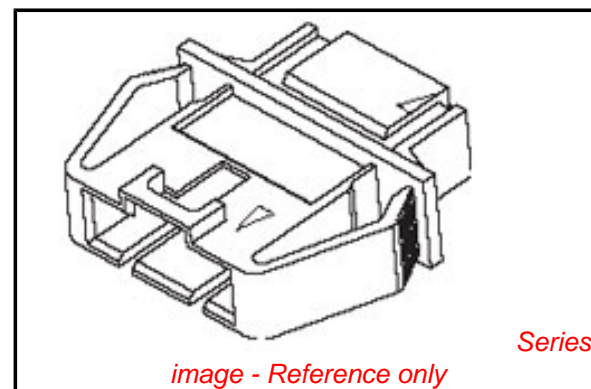
Circuits (Loaded)	20
Color - Resin	Black
Flammability	94V-0
Lock to Mating Part	Yes
Material - Resin	Polyester
Net Weight	6.115/g
Packaging Type	Bag

**Material Info**

Old Part Number	70104-0019
-----------------	------------

**Reference - Drawing Numbers**

Sales Drawing	SD-70104-0003-0024
---------------	--------------------



**EU RoHS**

**ELV and RoHS  
Compliant**  
**REACH SVHC  
Not Reviewed**  
**Low-Halogen Status  
Not Reviewed**

**China RoHS**



**Need more information on product  
environmental compliance?**

Email [productcompliance@molex.com](mailto:productcompliance@molex.com)  
 For a multiple part number RoHS Certificate of  
 Compliance, [click here](#)

Please visit the [Contact Us](#) section for any  
 non-product compliance questions.

**Search Parts in this Series**

[70104Series](#)

**Use With**

[70066 SL™ Crimp Housing](#). [70475 SL™  
IDT Connector Assembly](#). [70431 SL™ FFC/  
FPC Connector](#)