

**PLEASE CHECK WWW.MOLEX.COM FOR LATEST PART INFORMATION**

**Part Number:** [0051251012](#)  
**Status:** **Active**  
**Overview:** [LFH™ Interconnect System](#)  
**Description:** 1.90mm Pitch LFH™ Matrix 75 Plug Cable Kit, Terminal Stick, 24 Circuits

**Documents:**

[3D Model](#) [RoHS Certificate of Compliance \(PDF\)](#)  
[Drawing \(PDF\)](#)

**General**

Product Family	I/O Connectors
Series	71989
Application	Wire-to-Board
Comments	Four 24-Circuit Sticks per Subassembly Terminal Sticks Trimmed-Length without Carrier
Component Type	Plug
Overview	<a href="#">LFH™ Interconnect System</a>
Product Name	LFH™
Type	N/A
UPC	800755008296

**Physical**

Circuits (Loaded)	96
Circuits (maximum)	96
Lock to Mating Part	None
Material - Metal	Phosphor Bronze
Material - Plating Mating	Gold
Material - Plating Termination	Tin
Net Weight	2.222/g
Orientation	Vertical
PCB Retention	N/A
Packaging Type	Tray
Panel Mount	Yes
Pitch - Mating Interface	1.90mm
Plating min - Mating	0.762µm
Plating min - Termination	2.540µm
Polarized to Mating Part	Yes
Surface Mount Compatible (SMC)	N/A
Temperature Range - Operating	-20°C to +80°C
Termination Interface: Style	Through Hole
Wire Size AWG	26, 28, 30, 32, 34, 36

**Electrical**

Current - Maximum per Contact	1.0A
Shielded	Yes
Voltage - Maximum	40V

**Solder Process Data**

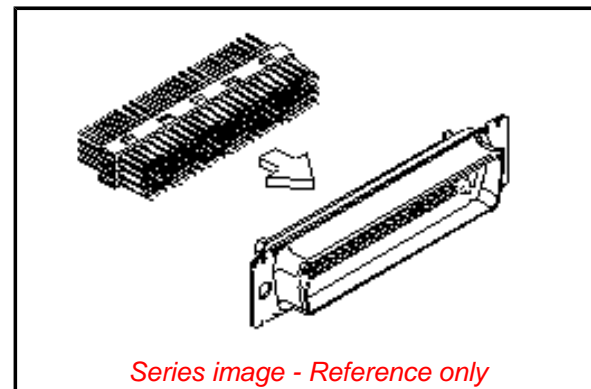
Lead-freeProcess Capability	N/A
-----------------------------	-----

**Material Info**

Old Part Number	71989-4003
-----------------	------------

**Reference - Drawing Numbers**

Sales Drawing	SDA-71989-4001
---------------	----------------



**EU ELV**

**Not Relevant**

**EU RoHS**

**Compliant**

**REACH SVHC**

Not Contained Per -  
ED/21/2016 (20 June  
2016)

**Halogen-Free**

**Status**

**Low-Halogen**

**Need more information on product environmental compliance?**

Email [productcompliance@molex.com](mailto:productcompliance@molex.com)  
Please visit the [Contact Us](#) section for any non-product compliance questions.

China ROHS  
ELV

Green Image  
Not Relevant

**Search Parts in this Series**

[71989 Series](#)

**Mates With**

[70660](#) , [71990](#)

This document was generated on 07/12/2016

**PLEASE CHECK [WWW.MOLEX.COM](http://WWW.MOLEX.COM) FOR LATEST PART INFORMATION**