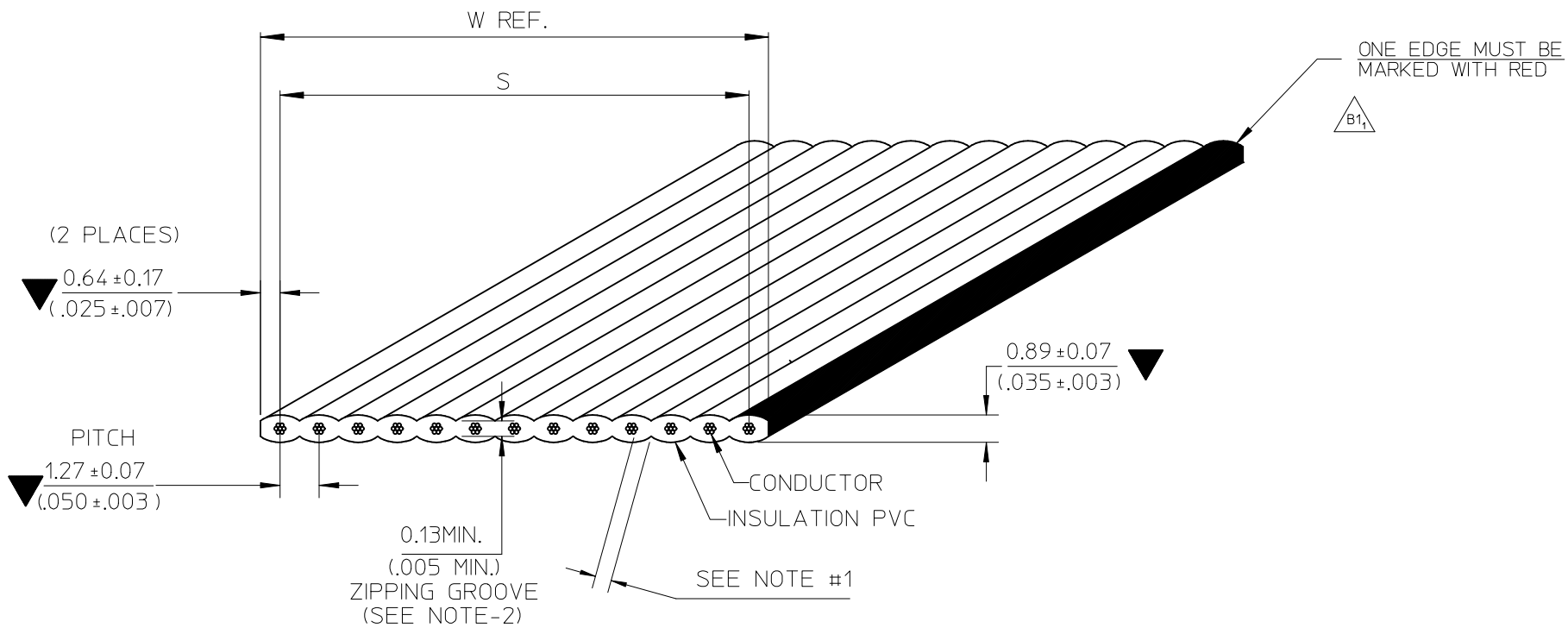


7 6 5 4 3 2 1



- NOTE :**
1. THE CABLE SHALL HAVE A MINIMUM OF 0.178mm. (.007") THICKNESS INSULATION AT ANY POINT
 2. RIP TEST:
 - THE 0.13mm. (.005") ZIPPING GROOVE SHALL BE CAPABLE OF BEING RIPPED BY HAND WITHIN THE RECESS, WITHOUT EXPOSING THE ADJACENT CONDUCTORS
 3. RoHS AND LEAD FREE COMPLIANT
 4. SPECIAL REQUIREMENT: N/A

PRODUCT APPLICATION	
<input checked="" type="checkbox"/>	GENERAL USE
<input type="checkbox"/>	AUTOMOTIVE
<input type="checkbox"/>	MEDICAL DEVICE

SEE CHANGE DETAIL
 EC NO: THL2011-0054
 DRWN: CPANSAKHOM 2010/10/07
 CHKD: PREECHAI 2011/01/25
 APPR: SVIRAT JAPOL 2011/03/31

QUALITY SYMBOLS	▽=3
	◻=0
DESCRIPTION	
REV	

GENERAL TOLERANCES (UNLESS SPECIFIED)	
	mm INCH
4 PLACES	± --- ± ---
3 PLACES	± --- ± ---
2 PLACES	± --- ± ---
1 PLACE	± --- ± ---
ANGULAR ± ---°	
DRAFT WHERE APPLICABLE MUST REMAIN WITHIN DIMENSIONS	

DIMENSION STYLE	
MM/IN	
DRAWN BY	DATE
CPANSAKHOM	2006/07/12
CHECKED BY	DATE
PMEECHAI	2006/07/12
APPROVED BY	DATE
SVIRAT JAPOL	2006/07/12
MATERIAL NO.	
SEE CHART	

SCALE	DESIGN UNITS	THIRD ANGLE PROJECTION
NTS	INCH	
TITLE		
FCB ROUND CONDUCTOR 1.27MM(.050)CENTERS PVC. 28AWG STR TOPCOATED		
molex MOLEX INCORPORATED		
DOCUMENT NO.		SHEET NO.
SD-40158-001		1 OF 3
THIS DRAWING CONTAINS INFORMATION THAT IS PROPRIETARY TO MOLEX INCORPORATED AND SHOULD NOT BE USED WITHOUT WRITTEN PERMISSION		

B1	E-10-0371	B1 ₁ : REMOVE REELS MFG. IN NOG.	2011/01/25
B	E-07-0748	B ₂ : ADD NON-OPERATING TEMP. B ₄ : ADD SOLDERING CONDITION	2007/10/02
A	N/A	NEW RELEASE	2006/07/12
REV. HISTORY	EC NO.	DETAIL	DATE

6 5 4 3 2 1

7

6

5

4

3

2

1

SPECIFICATIONSPHYSICAL

CONDUCTOR SPACING ----- .127 (.050") C TO C
 WIRE GAUGE ----- .28 AWG(7/36) AWG, STRANDED TOPCOATED
 INSULATION ----- P.V.C GRAY (LEAD FREE)

AGENCY

U.L. STYLE NO. ----- .2651
 TEMPERATURE RATING ----- -20°C TO 105°C
 VOLTAGE RATING ----- 300V.MAX.
 FLAMMABILITY RATING ----- VW-1

ELECTRICAL

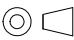

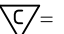

CONDUCTOR RESISTANCE (D.C.) ----- .68 m OHMS/FT. MAX.
 CHARACTERISTIC IMPEDANCE ----- 123 OHMS NOM. (GS)
 100 OHMS NOM. (GSG)
 CAPACITANCE ----- 9.1 pF/FT. NOM. (GS)
 17.0 pF/FT. NOM. (GSG)
 PROPAGATION DELAY ----- 1.4 ns/FT. NOM.
 INSULATION RESISTANCE ----- 10M OHMS (10FT. SAMPLE)
 DIELECTRIC WITHSTAND VOLTAGE ----- 2000 VRMS/MINUTE

GENERAL

NON-OPERATING TEMPERATURE ----- -20°C TO 105°C
 FAULTS AND/OR SPLICES ----- 1/REEL MAX. 100 $\frac{+3}{0}$ FT. (30.48 $\frac{+0.914}{0}$ M.)/REEL
 20FT. (6.096M.) MIN. LENGTH

SOLDERING CONDITION

SOLDER TEMPERATURE ----- 260°C. MAX.
 SOLDERING TIME ----- 3 SECOND, MAX.
 INSULATION SHRINK ----- 2MM. NOM

SEE CHANGE DETAIL EC NO: THL2011-0054 DRWN: CPANSAKHOM 2010/10/07 CHKD: PMEECHAI 2011/01/25 APPR: SVIRAT JAPOL 2011/03/31	DESCRIPTION REV	QUALITY SYMBOLS	GENERAL TOLERANCES (UNLESS SPECIFIED)		DIMENSION STYLE MM/IN		SCALE NTS	DESIGN UNITS INCH	 THIRD ANGLE PROJECTION			
		 =  =	4 PLACES \pm --- \pm ---	mm	INCH	DRAWN BY CPANSAKHOM	DATE 2006/07/12	TITLE FCB ROUND CONDUCTOR 1.27MM(.050)CENTERS PVC. 28AWG STR TOPCOATED				
			3 PLACES \pm --- \pm ---			CHECKED BY PMEECHAI	DATE 2006/07/12					
			2 PLACES \pm --- \pm ---			APPROVED BY SVIRAT JAPOL	DATE 2006/07/12	 MOLEX INCORPORATED DOCUMENT NO. SD-40158-001 SHEET NO. 2 OF 3				
			1 PLACE \pm --- \pm ---			MATERIAL NO.						
		ANGULAR \pm --- °		DRAFT WHERE APPLICABLE MUST REMAIN WITHIN DIMENSIONS		SEE CHART						

6

5

4

3

2

1

ENGINEERING NO.
40158-XX-XXXX
 A $\frac{B}{C}$ $\frac{D}{D}$
 A : CABLE 1.27mm. (.050") CENTERS 28AWG STRANDED TOPCOATED
 B : CONDUCTOR SIZE (AVAILABILITY 3 THROUGH 50)
 C : CABLE LENGTH 100FT. (30.48M.)
 D : A = INCHES
 B = FEET

CHART A DIMENSIONS (MM (INCHES))					
ENG. NO.	NO.OF COND.	DIMENSION S	DIM. W (REF)	SHIPPED ON 100FT. REELS	
				ENGINEERING NO.	ORDER NO.
40158-3	3	2.54±0.18 (100±.007)	3.81 (1.50)	40158-03-1008	82-28-5503
40158-4	4	3.81±0.18 (150±.007)	5.08 (2.00)	40158-04-1008	82-28-5504
40158-5	5	5.08±0.18 (200±.007)	6.35 (2.50)	40158-05-1008	82-28-5505
40158-6	6	6.35±0.18 (250±.007)	7.62 (3.00)	40158-06-1008	82-28-5506
40158-7	7	7.62±0.18 (300±.007)	8.89 (3.50)	40158-07-1008	82-28-5507
40158-8	8	8.89±0.18 (350±.007)	10.16 (4.00)	40158-08-1008	82-28-5508
40158-9	9	10.16±0.18 (400±.007)	11.43 (4.50)	40158-09-1008	82-28-5509
40158-10	10	11.43±0.18 (450±.007)	12.70 (5.00)	40158-10-1008	82-28-5510
40158-11	11	12.70±0.18 (500±.007)	13.97 (5.50)	40158-11-1008	82-28-5511
40158-12	12	13.97±0.18 (550±.007)	15.24 (6.00)	40158-12-1008	82-28-5512
40158-13	13	15.24±0.18 (600±.007)	16.51 (6.50)	40158-13-1008	82-28-5513
40158-14	14	16.51±0.18 (650±.007)	17.78 (7.00)	40158-14-1008	82-28-5514
40158-15	15	17.78±0.18 (700±.007)	19.05 (7.50)	40158-15-1008	82-28-5515
40158-16	16	19.05±0.23 (750±.009)	20.32 (8.00)	40158-16-1008	82-28-5516
40158-17	17	20.32±0.23 (800±.009)	21.59 (8.50)	40158-17-1008	82-28-5517
40158-18	18	21.59±0.23 (850±.009)	22.86 (9.00)	40158-18-1008	82-28-5518
40158-19	19	22.86±0.23 (900±.009)	24.13 (9.50)	40158-19-1008	82-28-5519
40158-20	20	24.13±0.23 (950±.009)	25.40 (1.000)	40158-20-1008	82-28-5520
40158-21	21	25.40±0.23 (1.000±.009)	26.67 (1.050)	40158-21-1008	82-28-5521
40158-22	22	26.67±0.23 (1.050±.009)	27.94 (1.100)	40158-22-1008	82-28-5522
40158-23	23	27.94±0.23 (1.100±.009)	29.21 (1.150)	40158-23-1008	82-28-5523
40158-24	24	29.21±0.23 (1.150±.009)	30.48 (1.200)	40158-24-1008	82-28-5524
40158-25	25	30.48±0.23 (1.200±.009)	31.75 (1.250)	40158-25-1008	82-28-5525
40158-26	26	31.75±0.23 (1.250±.009)	33.02 (1.300)	40158-26-1008	82-28-5526
40158-27	27	33.02±0.23 (1.300±.009)	34.29 (1.350)	40158-27-1008	82-28-5527
40158-28	28	34.29±0.23 (1.350±.009)	35.56 (1.400)	40158-28-1008	82-28-5528
40158-29	29	35.56±0.23 (1.400±.009)	36.83 (1.450)	40158-29-1008	82-28-5529
40158-30	30	36.83±0.23 (1.450±.009)	38.10 (1.500)	40158-30-1008	82-28-5530
40158-31	31	38.10±0.23 (1.500±.009)	39.37 (1.550)	40158-31-1008	82-28-5531
40158-32	32	39.37±0.23 (1.550±.009)	40.64 (1.600)	40158-32-1008	82-28-5532
40158-33	33	40.64±0.23 (1.600±.009)	41.91 (1.650)	40158-33-1008	82-28-5533
40158-34	34	41.91±0.23 (1.650±.009)	43.18 (1.700)	40158-34-1008	82-28-5534
40158-35	35	43.18±0.23 (1.700±.009)	44.45 (1.750)	40158-35-1008	82-28-5535
40158-36	36	44.45±0.23 (1.750±.009)	45.72 (1.800)	40158-36-1008	82-28-5536
40158-37	37	45.72±0.28 (1.800±.011)	46.99 (1.850)	40158-37-1008	82-28-5537
40158-38	38	46.99±0.28 (1.850±.011)	48.26 (1.900)	40158-38-1008	82-28-5538
40158-39	39	48.26±0.28 (1.900±.011)	49.53 (1.950)	40158-39-1008	82-28-5539
40158-40	40	49.53±0.28 (1.950±.011)	50.80 (2.000)	40158-40-1008	82-28-5540
40158-41	41	50.80±0.28 (2.000±.011)	52.07 (2.050)	40158-41-1008	82-28-5541
40158-42	42	52.07±0.28 (2.050±.011)	53.34 (2.100)	40158-42-1008	82-28-5542
40158-43	43	53.34±0.28 (2.100±.011)	54.61 (2.150)	40158-43-1008	82-28-5543
40158-44	44	54.61±0.28 (2.150±.011)	55.88 (2.200)	40158-44-1008	82-28-5544
40158-45	45	55.88±0.28 (2.200±.011)	57.15 (2.250)	40158-45-1008	82-28-5545
40158-46	46	57.15±0.28 (2.250±.011)	58.42 (2.300)	40158-46-1008	82-28-5546
40158-47	47	58.42±0.28 (2.300±.011)	59.69 (2.350)	40158-47-1008	82-28-5547
40158-48	48	59.69±0.28 (2.350±.011)	60.96 (2.400)	40158-48-1008	82-28-5548
40158-49	49	60.96±0.28 (2.400±.011)	62.23 (2.450)	40158-49-1008	82-28-5549
40158-50	50	62.23±0.28 (2.450±.011)	63.50 (2.500)	40158-50-1008	82-28-5550

THIRD ANGLE PROJECTION	SCALE NTS INCH	DESIGN UNITS INCH	TITLE FCB ROUND CONDUCTOR 1.27MM(.050)CENTERS PVC. 28AWG STR TOPCOATED	SHEET NO. 3 OF 3
	MOLEX INCORPORATED DOCUMENT NO. SD-40158-001			
DIMENSION STYLE MM/IN DRAWN BY CPANSAKHOM DATE 2006/07/12 CHECKED BY PMEECHAI DATE 2006/07/12 APPROVED BY SVIRAT JAPOL DATE 2006/07/12 MATERIAL NO. SEE CHART	THIS DRAWING CONTAINS INFORMATION THAT IS PROPRIETARY TO MOLEX INCORPORATED AND SHOULD NOT BE USED WITHOUT WRITTEN PERMISSION			

QUALITY SYMBOLS 	DESCRIPTION 14/30/11/02 TAPOL JAPOL 52/10/11/02 IHKHO 07/01/10/02 CPANSAKHOM 7505 SEE CHANGE DETAIL B1
---------------------	--

GENERAL TOLERANCES (UNLESS SPECIFIED)	<table border="1"> <tr> <th></th> <th>mm</th> <th>INCH</th> </tr> <tr> <td>4 PLACES</td> <td>± .005</td> <td>± .0004</td> </tr> <tr> <td>3 PLACES</td> <td>± .004</td> <td>± .0003</td> </tr> <tr> <td>2 PLACES</td> <td>± .003</td> <td>± .0002</td> </tr> <tr> <td>1 PLACE</td> <td>± .002</td> <td>± .0001</td> </tr> <tr> <td colspan="3">ANGULAR ± .005°</td> </tr> </table>		mm	INCH	4 PLACES	± .005	± .0004	3 PLACES	± .004	± .0003	2 PLACES	± .003	± .0002	1 PLACE	± .002	± .0001	ANGULAR ± .005°		
	mm	INCH																	
4 PLACES	± .005	± .0004																	
3 PLACES	± .004	± .0003																	
2 PLACES	± .003	± .0002																	
1 PLACE	± .002	± .0001																	
ANGULAR ± .005°																			
DRAFT WHERE APPLICABLE MUST REMAIN WITHIN DIMENSIONS																			