

ITEM	PART#	DESCRIPTION	QTY	UOM
A,B	510210400	PicoBlade1.25 Rec Hsg 4P	2	PC
C	500588000	PicoBlade1.25 Crimp Rec Term Chain	8	PC
D	887804719	Blank label 12.7x35.5mm (WHT:12.7mm) HF	1	PC

FROM	TO	DESCRIPTION	COLOR
A1	B4	CABLE 28 AWG UL 1061 BLACK	BLACK
A2	B3	CABLE 28 AWG UL 1061 BLACK	BLACK
A3	B2	CABLE 28 AWG UL 1061 BLACK	BLACK
A4	B1	CABLE 28 AWG UL 1061 BLACK	BLACK

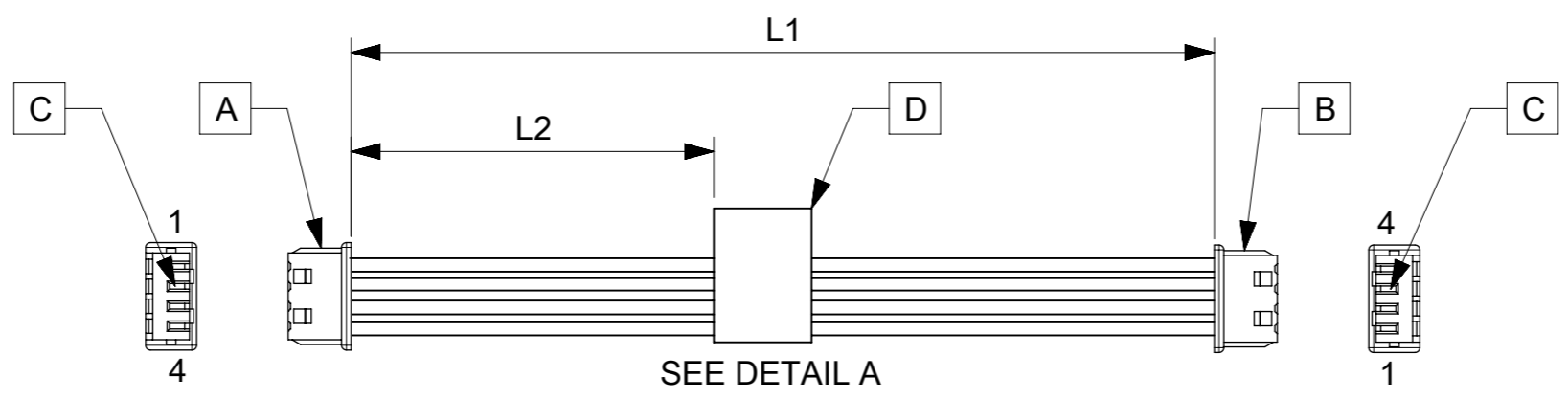
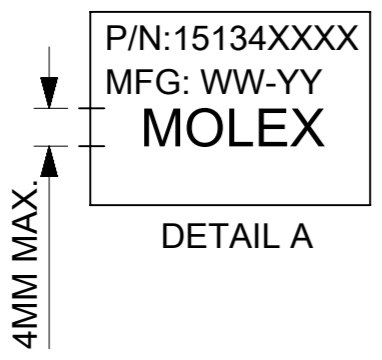


TABLE			
PART NUMBER	L1	L2	TITLE
151340400	50±6	20±5	Picoblade 4 Circuit 50MM
151340401	100±6	45±5	Picoblade 4 Circuit 100MM
151340402	150±8	70±5	Picoblade 4 Circuit 150MM
151340403	300±10	145±10	Picoblade 4 Circuit 300MM
151340405	450±10	220±10	Picoblade 4 Circuit 450MM
151340406	600±10	295±10	Picoblade 4 Circuit 600MM

- NOTES:
1. Cable assembly to be tested 100% for continuity and polarity.
 2. Label text must be 2mm max. In height with Arial font.
 3. Connector view shown is from mating side.
 4. Label must be wrapped in Flag type.
 5. Stick UL label on the outside carton.



REVISION			
DATE	REV	DESCRIPTION	CHANGER
26/07/2016	A	INITIAL RELEASE	DICK
26/04/2019	B	PROJECT TRANSFER FROM DG TO INDIA	ARAJU
24/06/2019	B1	LABEL CHANGE	ARAJU

THIS DRAWING CONTAINS INFORMATION THAT IS PROPRIETARY TO MOLEX ELECTRONIC TECHNOLOGIES, LLC AND SHOULD NOT BE USED WITHOUT WRITTEN PERMISSION												
QUALITY SYMBOLS FA = 0 FE = 0 FB = 0 ▼ = 0 C = 0 ⊗ = 0 ■ = 0 ▽ = 0	EC NO: 619691 DRWN: ARAJU CHK'D: RDESAI01 APPR: RDESAI01	GENERAL TOLERANCES (UNLESS SPECIFIED)		DIMENSION UNITS	SCALE	 SEE TABLE PRODUCT CUSTOMER DRAWING SERIES: 201234 MATERIAL NUMBER: SEE TABLE CUSTOMER: GENERAL MARKET DOCUMENT NUMBER: 2012341356 DOC TYPE: PSD DOC PART: 000 SHEET NUMBER: 1 OF 1						
		ANGULAR TOL ± °		mm	NTS							
		4 PLACES ±	DRWN BY	DATE	W LXIE							2016/07/12
		3 PLACES ±	CHK'D BY	DATE	DHUANG16							2016/07/25
		2 PLACES ±	APPR BY	DATE	YXZOU							2016/07/28
		1 PLACE ±	DRAWING SIZE		THIRD ANGLE PROJECTION							
0 PLACES ±	DRAFT WHERE APPLICABLE MUST REMAIN WITHIN DIMENSIONS		A3									