

[Molex.com](http://Molex.com)

English  
日本語  
한국어  
简体中文

[Register](#) | [Login](#)  
[My Parts \( 0 items \)](#)

Search site: Search:  [Go](#)

- Product Name**
- Cross-Ref**
- Catalog**
- Literature**
- Industries**
- Standards**
- Contact Us**
- About Us**
- Investors**
- Careers**

- [Connectors](#)
- [Sockets](#)
- [I/O Connectors](#)
- [Cable Assemblies](#)
- [Fiber Optics](#)
- [Printed Circuit Products](#)
- [Industrial Products](#)
- [Lighting Products](#)

**Switch Language**

- [Home](#)
- [Quick Disconnects](#)
- [Datasheet](#)

**Need Assistance?**

- [Contact Us](#)
- [Find a Distributor](#)
- [Order Samples](#)
- [Tech Library](#)
- [Ecocare](#)
- [Electrical Models](#)

[Printer-friendly page](#)

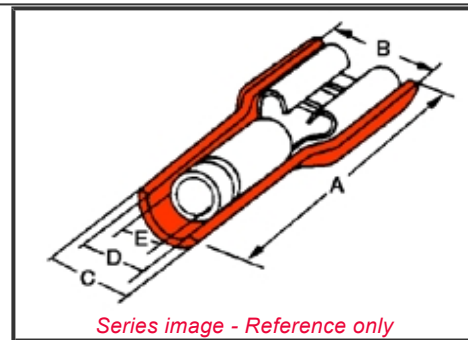
[Email this page](#)

**Part Number:**  
**0190020012**

**Status:**  
**Active**

**Description:**  
Avikrimp™ Fully Insulated Quick Disconnect, Female, for 18-22 AWG Wire, Metal Strip

**Documents:** [Note - Please disable browser pop-up blockers for documents on www.molex.com](#)  
[Drawing \(PDF\)](#)      [Datasheet \(PDF\)](#)



**EU RoHS**  
ELV and RoHS  
Compliant

**REACH SVHC**  
Not Reviewed

**Halogen-Free  
Status**  
Not Reviewed



**Need more information on product environmental compliance?**Email [productcompliance@molex.com](mailto:productcompliance@molex.com)For a multiple part number RoHS Certificate of Compliance, [click here](#)Please visit the [Contact Us](#) section for any non-product compliance questions.**Search Parts in this Series**[19002Series](#)**Application Tooling** | [FAQ](#)

Tooling specifications and manuals are found by selecting the products below . Crimp Height Specifications are then contained in the Application Tooling Specification document.

**Global**

Description	Product #
ASP Perishable Tool Kit used in ASP press that Process Metal Strip Product	<a href="#">0192870017</a>
Mini-Mac™ Applicator	<a href="#">0638812000</a>

**Crimp Quality Equipment**

Molex also offers wire strippers, pull testers, shut-height gauges, micro-meters and more

[Click here for details](#)[RoHS Certificate of Compliance \(PDF\)](#)**Order Products:****Part Detail:** [\(show all\)](#)

**GeneralPhysicalElectricalAgency CertificationMaterial InfoReference - Drawing Numbers****General**

Product Family	Quick Disconnects
Series	<u>19002</u>
Product Name	Avikrimp™
Type	Quick Disconnect

**Physical**

Barrel Type	Closed
Flammability	94V-2
Gender	Female
Glow-Wire Compliant	No
Insulation	Nylon (PA)
Lock to Mating Part	None
Material - Metal	Brass
Orientation	Straight
Packaging Type	Reel
Polarized to Mating Part	No
Tab Thickness	0.81mm (.032")
Tab Width	4.75mm (.187")
Temperature Range - Operating	-65°C to +105°C
Wire Insulation Diameter	3.17mm (.125") max.
Wire Size AWG	18, 20, 22
Wire Size mm <sup>2</sup>	0.35 - 0.80

**Electrical**(Please review the Product Specification for specific details.)

Voltage - Maximum	300V
-------------------	------

**Agency Certification**

CSA	LR18689
UL	E79133

**Material Info**

Old Part Number	AA-5271Z
-----------------	----------

**Reference - Drawing Numbers**

Sales Drawing	SD-19002-003
---------------	--------------

---

[Feedback](#)  
[Privacy](#)  
[Legal](#)  
[Site Map](#)  
[Help](#)



Copyright 2005-2010