

Distributed by:

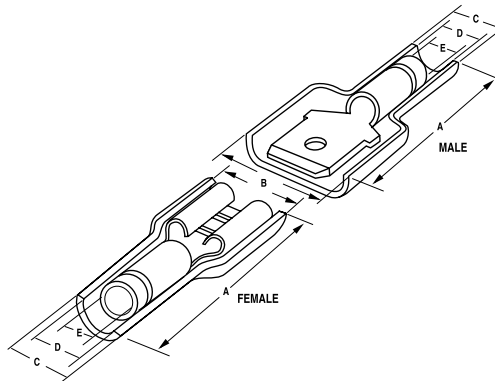
JAMECO[®]
ELECTRONICS

www.Jameco.com ♦ 1-800-831-4242

The content and copyrights of the attached
material are the property of its owner.

Jameco Part Number 459006

The Avikrimp version of the Fully Insulated Quick Disconnects gives you the extra advantage of the secure metal support sleeve. These parts fulfill the double crimp (support) requirements of VDE and other DIN specifications. They are the premier line when full insulation and strain relief are required.



ORDERING INFORMATION AND DIMENSIONS

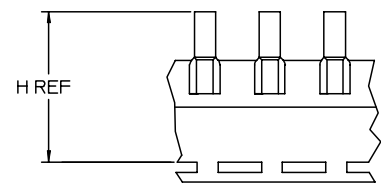
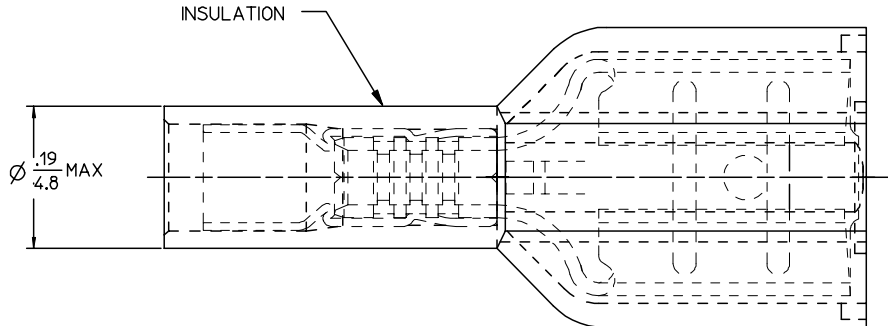
Fully Insulated Male Quick Disconnects (Standard Flare)											
Wire Range AWG (mm ²)	Male Tab Size (in.)	Loose Piece Order No.	Mylar Tape Order No.	Metal Strip Order No.	Color	Stock (in.)	Dimension (in.)				
							A Max.	B Max.	C Max.	D MWID	E Min.
18-22 (0.80-0.35)	.250 by .032	19001-0001	19001-0002		Red	.031	.960	.450	.220	.140	.056
	.187 by .020	19001-0003	19001-0005		Red	.020	.900	.380	.220	.140	.056
14-16 (2.00-1.30)	.250 by .032	19001-0006	19001-0007		Blue	.031	.960	.450	.250	.170	.084
	.187 by .020	19001-0008	19001-0009		Blue	.020	.900	.380	.250	.170	.084
10-12 (5.00-3.30)	.250 by .032	19001-0010	19001-0011		Yellow	.031	1.080	.450	.310	.230	.144

Fully Insulated Female Quick Disconnects (Standard Flare)											
Wire Range AWG (mm ²)	Accepts Tab Size (in.)	Loose Piece Order No.	Mylar Tape Order No.	Metal Strip Order No.	Color	Stock (in.)	Dimension (in.)				
							A Max.	B Max.	C Max.	D MWID	E Min.
18-22 (0.80-0.35)	.250 by .032	19002-0001	19002-0002	19002-0004	Red	.016	.890	.380	.190	.125	.062
	.187 by .020	19002-0005	19002-0007	19002-0008	Red	.016	.800	.320	.190	.125	.062
	.187 by .032	19002-0009	19002-0010	19002-0012	Red	.016	.800	.320	.190	.125	.056
	.205 by .020	19002-0019	19002-0020	19002-0059	Red	.016	.800	.320	.190	.125	.062
	.205 by .032	19002-0021	19002-0022	19002-0023	Red	.016	.800	.320	.190	.125	.062
	.110 by .020	19002-0013	19002-0014	19002-0015	Red	.012	.800	.230	.190	.125	.056
	.110 by .032	19002-0016	19002-0017	19002-0018	Red	.012	.800	.230	.190	.125	.056
14-16 (2.00-1.30)	.250 by .032	19002-0024	19002-0025	19002-0027	Blue	.016	.890	.380	.220	.155	.082
	.187 by .020	19002-0028	19002-0029	19002-0030	Blue	.016	.800	.320	.220	.155	.082
	.187 by .032	19002-0031	19002-0032	19002-0033	Blue	.016	.800	.320	.220	.155	.082
	.205 by .020	19002-0040	19002-0048	19002-0041	Blue	.016	.800	.320	.220	.155	.082
	.205 by .032	19002-0042	19002-0043	19002-0061	Blue	.016	.800	.320	.220	.155	.082
	.110 by .020	19002-0034	19002-0035	19002-0036	Blue	.012	.800	.230	.220	.155	.082
	.110 by .032	19002-0037	19002-0038	19002-0039	Blue	.012	.800	.230	.220	.155	.082
10-12 (5.00-3.30)	.250 by .032	19606-0005	19606-0006	19606-0004	Yellow	.031	1.01	.380	.310	.230	.120

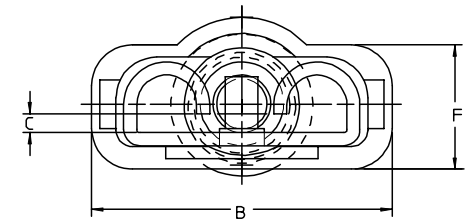
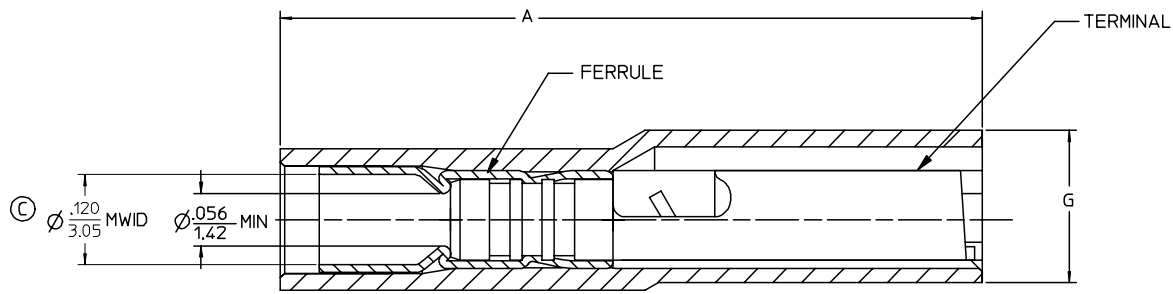
Fully Insulated Female Quick Disconnects (Expanded Flare/Oval Barrel)											
Wire Range AWG (mm ²)	Male Tab Size (in.)	Loose Piece Order No.	Mylar Tape Order No.	Metal Strip Order No.	Color	Stock (in.)	Dimension (in.)				
							A Max.	B Max.	C Max.	D MWID*	E Min.
14-12 (3.30-2.00)	.250 by .032	*19600-1300	19600-1306		Yellow	.031	.940	.380	.320	.27/.17	.120
	.187 by .020	*19600-1302	19600-1307		Yellow	.020	.870	.320	.320	.27/.17	.120
	.187 by .032	*19600-1304	19600-1308		Yellow	.032	.870	.320	.320	.27/.17	.120
10-12 (5.00-3.30)	.250 by .032	19002-0044	19002-0045	19002-0046	Yellow	.018	1.040	.380	.310	.245	.144

*Note: MWID is oval for dual wire insertion

	13	12	11	10	9	8	7	6	5	4	3	2	1						
J	MATERIAL NUMBER LOOSE PCS	ENGINEERING NUMBER LOOSE PCS	MATERIAL NUMBER ON STRIP	ENGINEERING NUMBER ON STRIP	MATERIAL NUMBER ON TAPE	ENGINEERING NUMBER ON TAPE	MATERIAL NUMBER REV WOUND ON TAPE	ENGINEERING NUMBER REV WOUND ON TAPE	MATERIAL NUMBER ON TAPE BIG REEL	ENGINEERING NUMBER ON TAPE BIG REEL	CURL HEIGHT "C" REF	ACCEPTS TAB SIZE	STOCK THK	"A" MAX	"B" MAX	"F" REF	"G" MAX	"H" REF	J
	190020001	AA-5261	190020004	AA-5261Z	190020002	AA-5261T	190020003	AA-5261TR	190020047	AA-5261BT	.028/0.71	.250 X .032	.016/0.41	.89/22.6	.38/9.7	.16/4.1	.20/5.1	1.425/36.20	
	190020019	AA-5283	190020059	AA-5283Z	190020020	AA-5283T	190020058	AA-5283TR			.017/0.43	.205 X .020	.016/0.41	.80/20.3	.32/8.1	.16/4.1	.22/5.6	1.395/35.43	
	190020021	AA-5285	190020023	AA-5285Z	190020022	AA-5285T	190020060	AA-5285TR			.028/0.71	.205 X .032	.016/0.41	.80/20.3	.32/8.1	.16/4.1	.22/5.6	1.395/35.43	
	190020005	AA-5267	190020008	AA-5267Z	190020007	AA-5267T			190020006	AA-5267BT	.017/0.43	.187 X .020	.016/0.41	.80/20.3	.32/8.1	.16/4.1	.22/5.6	1.380/35.10	
	190020009	AA-5271	190020012	AA-5271Z	190020010	AA-5271T	190020011	AA-5271TR			.028/0.71	.187 X .032	.016/0.41	.80/20.3	.32/8.1	.16/4.1	.22/5.6	1.380/35.10	
I	190020013	AA-5275	190020015	AA-5275Z	190020014	AA-5275T					.016/0.41	.110 X .020	.012/0.31	.80/20.3	.23/5.8	.13/3.3	.20/5.1	1.380/35.05	I
	190020016	AA-5279	190020018	AA-5279Z	190020017	AA-5279T	190020065	AA-5279TR			.028/0.71	.110 X .032	.012/0.31	.80/20.3	.23/5.8	.13/3.3	.20/5.1	1.380/35.05	



PARTS ON TAPE



SALES DRAWING

- NOTES:
- MATERIAL: TERMINAL BRASS
TERMINAL PLATING: ELECTRO TIN
FERRULE: BRASS
FERRULE PLATING: ELECTRO TIN
INSULATION: NYLON 94V2 COLOR RED.
 - MWID = MAXIMUM WIRE INSULATION DIAMETER

WASFEMAVKCD EC NO: ETC2005-0172 DRW/BENDERLE 2005/04/25 CHKDR/DEROSS 2005/04/26 APPR:RDEROSS 2005/04/26	QUALITY SYMBOLS	GENERAL TOLERANCES (UNLESS SPECIFIED)	DIMENSION STYLE	SCALE	DESIGN UNITS	THIRD ANGLE PROJECTION																		
	$\nabla=0$ $\nabla=0$	<table border="1"> <tr> <th></th> <th>mm</th> <th>INCH</th> </tr> <tr> <td>4 PLACES</td> <td>± ---</td> <td>± ---</td> </tr> <tr> <td>3 PLACES</td> <td>± ---</td> <td>± .005</td> </tr> <tr> <td>2 PLACES</td> <td>± 0.13</td> <td>± .01</td> </tr> <tr> <td>1 PLACE</td> <td>± 0.25</td> <td>± ---</td> </tr> <tr> <td colspan="3">ANGULAR ±1/2°</td> </tr> </table>		mm	INCH	4 PLACES	± ---	± ---	3 PLACES	± ---	± .005	2 PLACES	± 0.13	± .01	1 PLACE	± 0.25	± ---	ANGULAR ±1/2°			IN/MM	4:1	INCH	
		mm	INCH																					
	4 PLACES	± ---	± ---																					
3 PLACES	± ---	± .005																						
2 PLACES	± 0.13	± .01																						
1 PLACE	± 0.25	± ---																						
ANGULAR ±1/2°																								
	DRAWN BY	DATE	TITLE	AVIKRIMP FEMALE FIQD 22-18 AWG																				
	BENDERLE	2005/03/28																						
	CHECKED BY	DATE		MOLEX INCORPORATED																				
	R DEROSS	2005/03/28																						
	APPROVED BY	DATE		MATERIAL NO. SD-19002-003 DOCUMENT NO. SHEET NO. 1 OF 1																				
	R DEROSS	2005/03/28																						
				DRAFT WHERE APPLICABLE MUST REMAIN WITHIN DIMENSIONS																				
				THIS DRAWING CONTAINS INFORMATION THAT IS PROPRIETARY TO MOLEX INCORPORATED AND SHOULD NOT BE USED WITHOUT WRITTEN PERMISSION																				