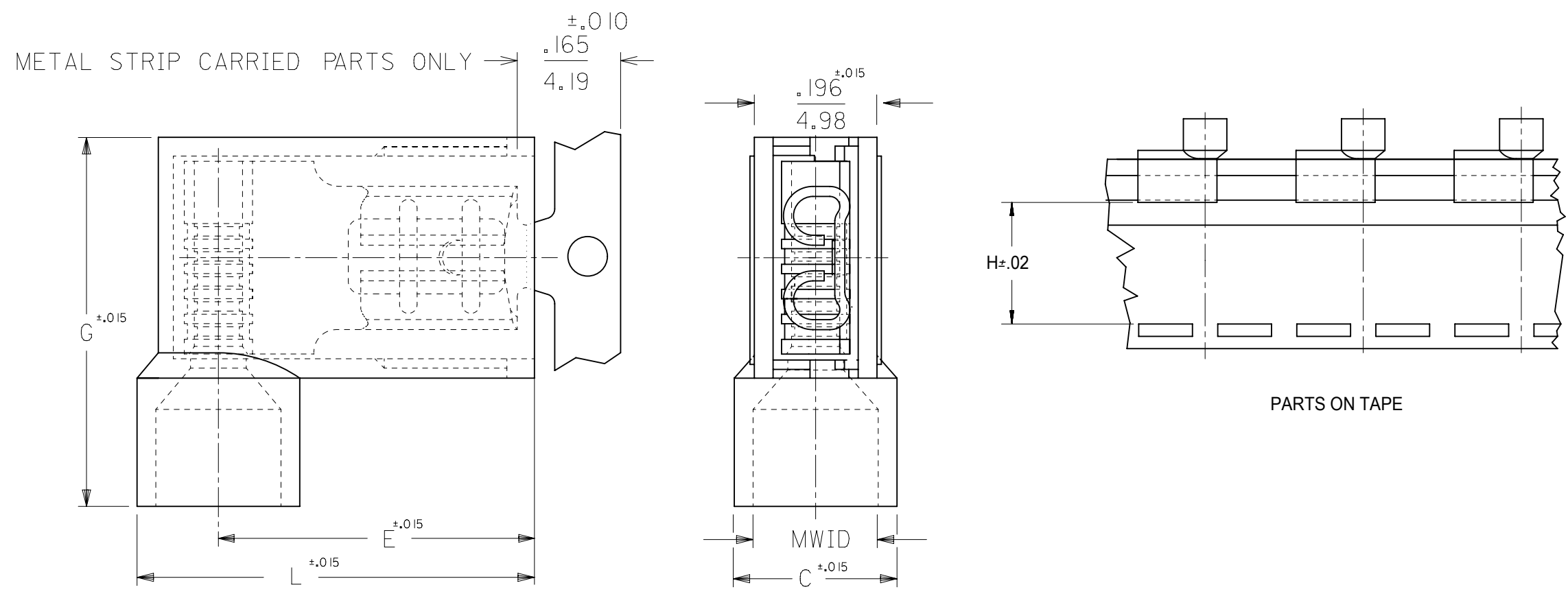


9		8		7		6		5		4		3		2		1	
LOOSE PIECE		METAL STRIP CARRIED		MYLAR TAPE CARRIED		FEATURES				DIMENSIONS							
MATERIAL NUMBER	ENGINEERING NUMBER	MATERIAL NUMBER	ENGINEERING NUMBER	MATERIAL NUMBER	ENGINEERING NUMBER	AWG	COLOR	FITS TAB SIZE (A2)	MWID	L	G	E	C	H			
190070009	AA-2222	190070014	AA-2222Z	190070010	AA-2222T	22-18	RED	.187 x .020	.176/4.47	.630/16.00	.585/14.86	.512/13.00	.236/5.99	.93/23.6			
190070011	AA-2222X	190070013	AA-2222XZ	190070012	AA-2222XT	22-18	RED	.187 x .020	.240/6.10	.662/16.81	.625/15.88	.512/13.00	.300/7.62	.93/23.6			
190070015	AA-2223	190070020	AA-2223Z	190070016	AA-2223T	22-18	RED	.187 x .032	.176/4.47	.630/16.00	.585/14.86	.512/13.00	.236/5.99	.93/23.6			
190070017	AA-2223X	190070019	AA-2223XZ	190070018	AA-2223XT	22-18	RED	.187 x .032	.240/6.10	.662/16.81	.625/15.88	.512/13.00	.300/7.62	.93/23.6			
190070029	BB-2224	190070034	BB-2224Z	190070030	BB-2224T	16-14	BLUE	.187 x .020	.200/5.08	.630/16.00	.585/14.86	.500/12.70	.260/6.60	.93/23.6			
190070031	BB-2224X	190070033	BB-2224XZ	190070032	BB-2224XT	16-14	BLUE	.187 x .020	.265/6.73	.670/17.02	.625/15.88	.500/12.70	.325/8.26	.93/23.6			
190070035	BB-2225	190070039	BB-2225Z	190070036	BB-2225T	16-14	BLUE	.187 x .032	.200/5.08	.630/16.00	.585/14.86	.500/12.70	.260/6.60	.93/23.6			
190070037	BB-2225X	190070060	BB-2225XZ	190070038	BB-2225XT	16-14	BLUE	.187 x .032	.265/6.73	.670/17.02	.625/15.88	.500/12.70	.325/8.26	.93/23.6			



- NOTES:
1. MWID: MAX. WIRE INSULATION DIA.
  2. MATERIAL:  
HOUSING: NYLON  
TERMMINAL: TIN PLATED BRASS.
  3. ASSEMBLY IS RoHS COMPLIANT.

THIS DRAWING CONTAINS INFORMATION THAT IS PROPRIETARY TO MOLEX ELECTRONIC TECHNOLOGIES, LLC AND SHOULD NOT BE USED WITHOUT WRITTEN PERMISSION

DIMENSION UNITS	SCALE	CURRENT REV DESC: TAB AA-2223/BB-2224	
IN/MM	NTS	<p>FLAG QUICK DISCONNECT FULLY INSULATED .187X.020 &amp;.032 TAB SIZE</p> <p>PRODUCT CUSTOMER DRAWING</p>	
GENERAL TOLERANCES (UNLESS SPECIFIED)			
	MM INCH		
4 PLACES ±	±		
3 PLACES ±	± 0.005		
2 PLACES ±	± 0.13 ± 0.01		
1 PLACE ±	± 0.25 ±	EC NO: 172020	
0 PLACES ±	±	DRWN: GROJAS01	2018/02/06
ANGULAR TOL ±	± 0.5°	CHK'D: JMACNEIL	2018/02/09
DRAFT WHERE APPLICABLE MUST REMAIN WITHIN DIMENSIONS		APPR: JMACNEIL	2018/02/09
THIRD ANGLE PROJECTION		INITIAL REVISION:	
DRAWING		DRWN: RM	1989/07/26
SERIES		APPR: JM	1989/07/26
MATERIAL NUMBER		DOCUMENT NUMBER	DOC TYPE
SEE CHART		SD-19007-005	PSD
CUSTOMER		DOC PART	REVISION
GENERAL MARKET		001	A2
SHEET NUMBER		1 OF 1	