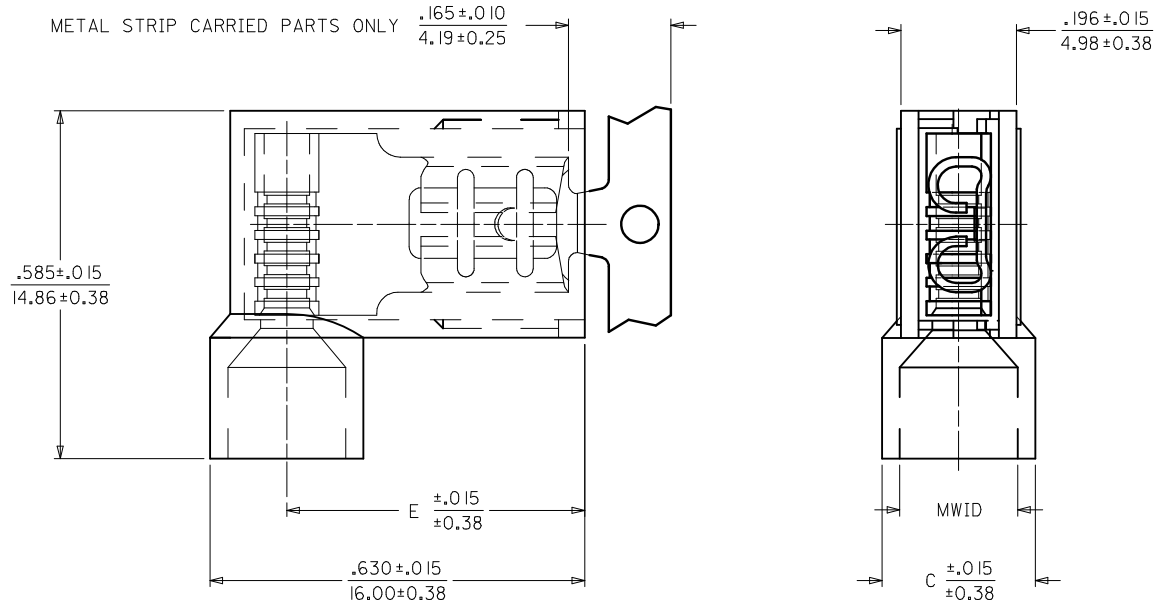


PART NO.	CARRIER STYLE	AWG	COLOR	MWID	TAB SIZE	E	C
190070067	LOOSE	22-18	RED	.176/4.47	.187 X .020	.512/13.00	.236/5.99
190070068	TAPE	22-18	RED	.176/4.47	.187 X .020	.512/13.00	.236/5.99
190070069	STRIP	22-18	RED	.176/4.47	.187 X .020	.512/13.00	.236/5.99
190070070	LOOSE	22-18	RED	.176/4.47	.187 X .032	.512/13.00	.236/5.99
190070071	TAPE	22-18	RED	.176/4.47	.187 X .032	.512/13.00	.236/5.99
190070072	STRIP	22-18	RED	.176/4.47	.187 X .032	.512/13.00	.236/5.99
190070076	LOOSE	16-14	BLUE	.200/5.08	.187 X .020	.500/12.70	.260/6.60
190070077	TAPE	16-14	BLUE	.200/5.08	.187 X .020	.500/12.70	.260/6.60
180070078	STRIP	16-14	BLUE	.200/5.08	.187 X .020	.500/12.70	.260/6.60
190070079	LOOSE	16-14	BLUE	.200/5.08	.187 X .032	.500/12.70	.260/6.60
190070080	TAPE	16-14	BLUE	.200/5.08	.187 X .032	.500/12.70	.260/6.60
190070081	STRIP	16-14	BLUE	.200/5.08	.187 X .032	.500/12.70	.260/6.60

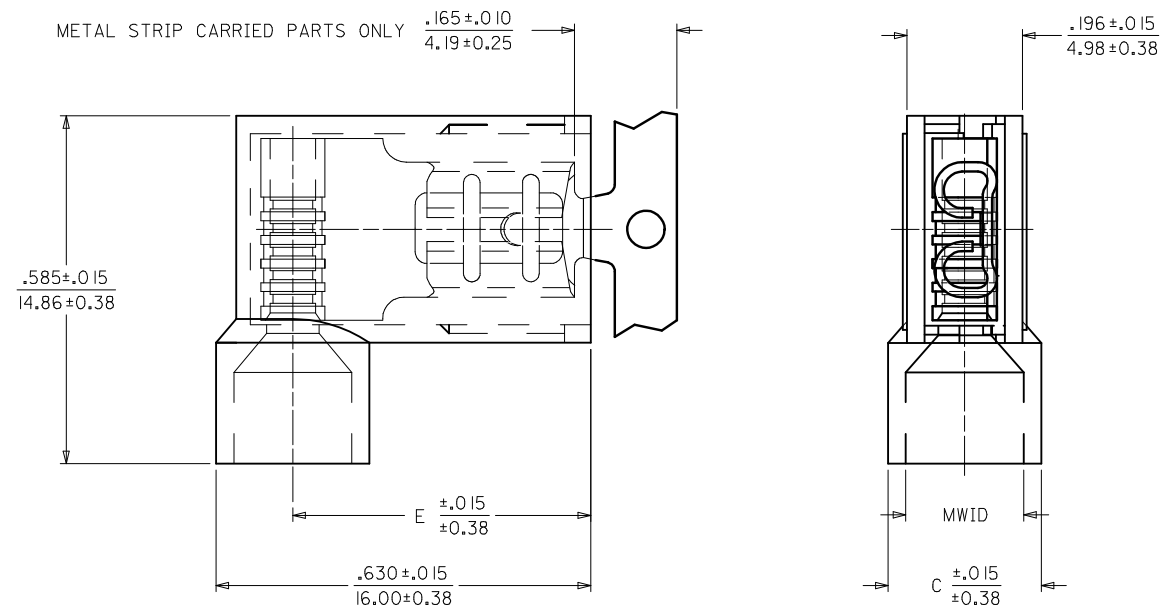


SALES DRAWING

- NOTES:
1. MWID = MAX. WIRE INSULATION DIA.
  2. MATERIAL:  
HOUSING: NYLON 6/6 94V-0 RATING  
TERMINAL: TIN PLATED BRASS
  3. PARTS ARE ROHS COMPLIANT.

UPDATE DWG TEMPLATE EC NO: IPG2017-0966 DRAWN: GROSAS01 2017/04/11 CHKD: JMACNEIL 2017/04/11 APPR: JMACNEIL 2017/05/22	QUALITY SYMBOLS	GENERAL TOLERANCES (UNLESS SPECIFIED)	DIMENSION STYLE	SCALE	DESIGN UNITS	THIRD ANGLE PROJECTION	
	▼=0 ▽=0	mm INCH 4 PLACES ± --- ± --- 3 PLACES ± --- ± .005 2 PLACES ± 0.13 ± .01 1 PLACE ± --- ± --- 0 PLACE ± 0.25 ±	IN/MM	---	INCH	DRAWN BY DATE HEB 2005/01/06 CHECKED BY DATE RWD 2005/01/06 APPROVED BY DATE	TITLE
	ANGULAR ±1/2° DRAFT WHERE APPLICABLE MUST REMAIN WITHIN DIMENSIONS	SEE CHART	MATERIAL NO.	DOCUMENT NO.	FLAG FIQD,INSULKRIMP 94V-0 MATERIAL .187 X .032 & .020 <b>molex</b>		SHEET NO.
	A1				SD-19007-001	1 OF 1	

PART NO.	CARRIER STYLE	AWG	COLOR	MWID	TAB SIZE	E	C
190070067	LOOSE	22-18	RED	.176/4.47	.187 X .020	.512/13.00	.236/5.99
190070068	TAPE	22-18	RED	.176/4.47	.187 X .020	.512/13.00	.236/5.99
190070069	STRIP	22-18	RED	.176/4.47	.187 X .020	.512/13.00	.236/5.99
190070070	LOOSE	22-18	RED	.176/4.47	.187 X .032	.512/13.00	.236/5.99
190070071	TAPE	22-18	RED	.176/4.47	.187 X .032	.512/13.00	.236/5.99
190070072	STRIP	22-18	RED	.176/4.47	.187 X .032	.512/13.00	.236/5.99
190070076	LOOSE	16-14	BLUE	.200/5.08	.187 X .020	.500/12.70	.260/6.60
190070077	TAPE	16-14	BLUE	.200/5.08	.187 X .020	.500/12.70	.260/6.60
180070078	STRIP	16-14	BLUE	.200/5.08	.187 X .020	.500/12.70	.260/6.60
190070079	LOOSE	16-14	BLUE	.200/5.08	.187 X .032	.500/12.70	.260/6.60
190070080	TAPE	16-14	BLUE	.200/5.08	.187 X .032	.500/12.70	.260/6.60
190070081	STRIP	16-14	BLUE	.200/5.08	.187 X .032	.500/12.70	.260/6.60



SALES DRAWING

- NOTES:
1. MWID = MAX. WIRE INSULATION DIA.
  2. MATERIAL:  
HOUSING: NYLON 6/6 94V-0 RATING  
TERMINAL: TIN PLATED BRASS
  3. PARTS ARE ROHS COMPLIANT.

UPDATE DWG TEMPLATE EC NO: IPG2017-0966 DRAWN: GROSAS01 2017/04/11 CHKD: JMACNEIL 2017/04/11 APPR: JMACNEIL 2017/05/22	QUALITY SYMBOLS	GENERAL TOLERANCES (UNLESS SPECIFIED)	DIMENSION STYLE	SCALE	DESIGN UNITS	THIRD ANGLE PROJECTION	
	▼=0 ▽=0	mm INCH 4 PLACES ± --- ± --- 3 PLACES ± --- ± .005 2 PLACES ± 0.13 ± .01 1 PLACE ± --- ± --- 0 PLACE ± 0.25 ±	IN/MM	---	INCH	DRAWN BY DATE HEB 2005/01/06 CHECKED BY DATE RWD 2005/01/06 APPROVED BY DATE	
	ANGULAR ±1/2° DRAFT WHERE APPLICABLE MUST REMAIN WITHIN DIMENSIONS	MATERIAL NO.	TITLE	DOCUMENT NO.	SHEET NO.	FLAG FIQD,INSULKRIMP 94V-0 MATERIAL .187 X .032 & .020 <b>molex</b> SD-19007-001 1 OF 1	
	SEE CHART THIS DRAWING CONTAINS INFORMATION THAT IS PROPRIETARY TO MOLEX INCORPORATED AND SHOULD NOT BE USED WITHOUT WRITTEN PERMISSION	A1 REV	B SIZE				