

PLEASE CHECK WWW.MOLEX.COM FOR LATEST PART INFORMATION

Part Number: **0190190056**
Status: **Active**
Overview: Standard Quick-Disconnect Terminals
Description: Avikrimp Quick Disconnect, Female, for 12-14 (3.30-2.00mm²) Wire, Metal Strip, Tab 4.75 x 0.81mm

Documents:

[Drawing \(PDF\)](#) [Product Specification PS-19902-014-001 \(PDF\)](#)
[Product Specification PS-19902-011-001 \(PDF\)](#) [RoHS Certificate of Compliance \(PDF\)](#)

Agency Certification

CSA LR18689
 UL E79133

General

Product Family Quick Disconnects
 Series 19019
 Crimp Quality Equipment Yes
 Insulated Partial
 Overview Standard Quick-Disconnect Terminals
 Product Name Avikrimp
 Type Quick Disconnect
 UPC 800753002944

Physical

Barrel Type Closed
 Color - Resin Yellow
 Flammability 94V-2
 Gender Female
 Glow-Wire Capable No
 Insulation Nylon (PA)
 Lock to Mating Part None
 Material - Metal Brass
 Material - Plating Mating Tin
 Material - Plating Termination Tin
 Net Weight 1.005/g
 Orientation Straight
 Packaging Type Reel
 Polarized to Mating Part No
 Tab Thickness 0.81mm
 Tab Width 4.75mm
 Temperature Range - Operating -65° to +105°C
 Wire Insulation Diameter 4.30mm max.
 Wire Size AWG 12, 14

Electrical

Voltage - Maximum 300V

Solder Process Data

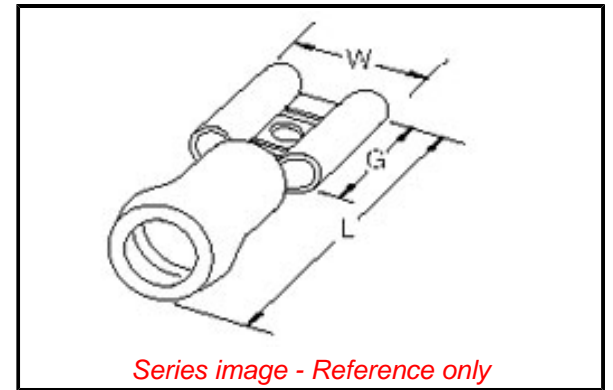
Lead-free Process Capability N/A

Material Info

Engineering Number PZ-8139-032

Reference - Drawing Numbers

Product Specification PS-19902-011-001, PS-19902-014-001
 Sales Drawing SD-19019-001



EU ELV

Not Relevant

EU RoHS

Compliant

REACH SVHC

Not Contained Per -
 ECHA_01_2020 (16
 January 2020

Halogen-Free

Status

Low-Halogen

For more information, please visit [Contact US](#)

China ROHS

ELV

RoHS Phthalates

China RoHS

Green Image

Not Relevant

Not Contained

Search Parts in this Series

19019 Series

Application Tooling | FAQ

Tooling specifications and manuals are found by selecting the products below. Crimp Height Specifications are then contained in the Application Tooling Specification document.

Global

Description

Product #

ASP Tool Kit, Perishable, Used in an ASP-200 Press that Processes Metal Strip Product	<u>192870141</u>
Mini-Mac Die Set of 4 MMZ for use with 12-14 AWG AVIK	<u>198092000</u>

This document was generated on 04/15/2020

PLEASE CHECK WWW.MOLEX.COM FOR LATEST PART INFORMATION