

**PLEASE CHECK WWW.MOLEX.COM FOR LATEST PART INFORMATION**

**Part Number:** **0190190063**  
**Status:** **Active**  
**Overview:** Standard Quick-Disconnect Terminals  
**Description:** Avikrimp Quick Disconnect, Female, for 14-16 (2.00-1.30mm<sup>2</sup>) Wire, Mylar Tape, Tab 5.21 x 0.81mm

**Documents:**

[Drawing \(PDF\)](#) [Product Specification PS-19902-015-001 \(PDF\)](#)  
[Product Specification PS-19902-011-001 \(PDF\)](#) [RoHS Certificate of Compliance \(PDF\)](#)  
[Product Specification PS-19902-014-001 \(PDF\)](#)

**General**

Product Family Quick Disconnects  
Series 19019  
Crimp Quality Equipment Yes  
Insulated Partial  
Overview Standard Quick-Disconnect Terminals  
Product Name Avikrimp  
Type Quick Disconnect  
UPC 800755958508

**Physical**

Barrel Type Closed  
Color - Resin Blue  
Gender Female  
Glow-Wire Capable No  
Insulation Nylon (PA)  
Lock to Mating Part None  
Material - Metal Brass  
Material - Plating Mating Tin  
Material - Plating Termination Tin  
Net Weight 0.807/g  
Orientation Straight  
Packaging Type Adhesive Tape on Reel  
Polarized to Mating Part No  
Tab Thickness 0.81mm  
Tab Width 5.21mm  
Temperature Range - Operating -65° to +105°C  
Wire Insulation Diameter 3.50mm max.  
Wire Size AWG 14, 16  
Wire Size mm<sup>2</sup> 1.30-2.00

**Electrical**

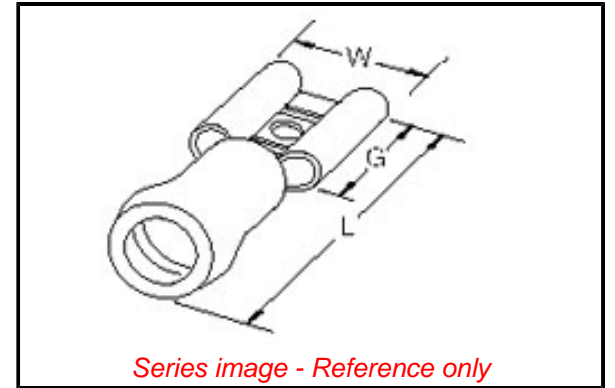
Voltage - Maximum 300V

**Material Info**

Engineering Number BB-8191-032T

**Reference - Drawing Numbers**

Product Specification PS-19902-011-001, PS-19902-014-001,  
PS-19902-015-001  
Sales Drawing SD-19019-001



**EU ELV**

**Not Relevant**

**EU RoHS**

**Not Reviewed**

**REACH SVHC**

Not Contained Per -  
ED/61/2018 (27 June  
2018)

**Halogen-Free**

**Status**

**Low-Halogen**

For more information, please visit [Contact US](#)

China ROHS

ELV

RoHS Phthalates

**China RoHS**

Green Image

Not Relevant

Not Contained

**Search Parts in this Series**

19019 Series

**Application Tooling | FAQ**

*Tooling specifications and manuals are found by selecting the products below. Crimp Height Specifications are then contained in the Application Tooling Specification document.*

**Global**

Description	Product #
ATP Crimp Dies for the Tape Crimp Module and ATP-101 & 301 Press	<u>192880145</u>
Mini-Mac Applicator	<u>638850900</u>