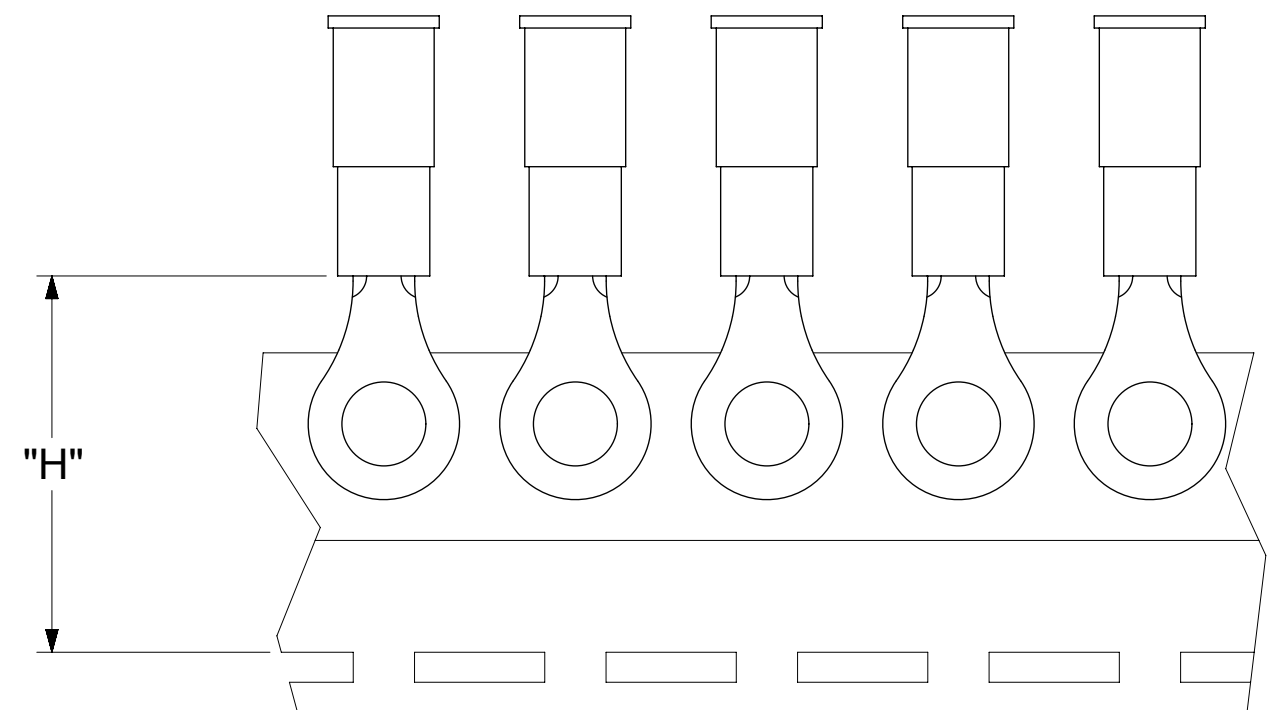
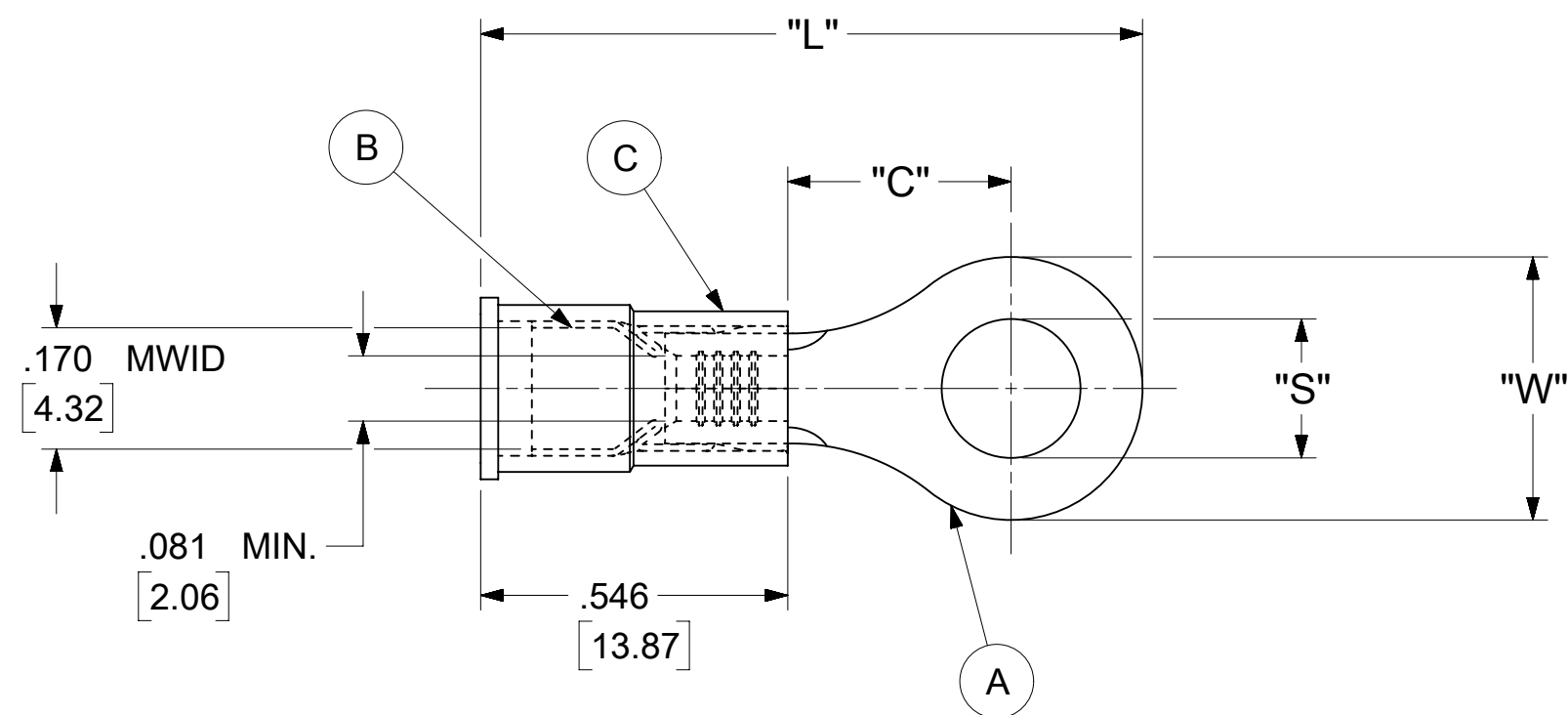


| LOOSE PIECE     |                    | TAPE MOUNTED    |                    | SPECIFICATIONS |                     |                     |              |               |              |                                  |
|-----------------|--------------------|-----------------|--------------------|----------------|---------------------|---------------------|--------------|---------------|--------------|----------------------------------|
| MATERIAL NUMBER | ENGINEERING NUMBER | MATERIAL NUMBER | ENGINEERING NUMBER | STUD SIZE      | "S"<br>±.005 [0.13] | "W"<br>±.010 [0.25] | "C"<br>MIN.  | "L"<br>MAX.   | "H"          | STOCK ±.001 [0.025]<br>THICKNESS |
| 190570046       | B-518-38           | ---             | ---                | 38             | .390 [9.91]         | .534 [13.56]        | .554 [14.07] | 1.407 [35.74] | ---          | .031 [0.79]                      |
| 190570048       | B-518-56           | ---             | ---                | 56             | .328 [8.33]         |                     |              |               |              |                                  |
| 190570052       | B-523-04           | ---             | ---                | 4              | .119 [3.02]         | .250 [6.35]         | .209 [5.31]  | .931 [23.65]  | .980 [24.89] | .031 [0.79]                      |
| 190570054       | B-523-06           | 190570055       | B-523-06T          | 6              | .146 [3.71]         |                     |              |               |              |                                  |
| 190570056       | B-523-08           | 190570057       | B-523-08T          | 8              | .173 [4.39]         |                     |              |               |              |                                  |
| 190570060       | B-525-14           | ---             | ---                | 14             | .265 [6.73]         | .467 [11.86]        | .388 [9.86]  | 1.208 [30.68] | ---          | .031 [0.79]                      |
| 190570062       | B-525-56           | ---             | ---                | 56             | .328 [8.33]         |                     |              |               |              |                                  |
| 190570086       | B-537-04           | ---             | ---                | 4              | .119 [3.02]         | .312 [7.92]         | .285 [7.24]  | 1.022 [25.96] | ---          | .031 [0.79]                      |
| 190570088       | B-537-06           | ---             | ---                | 6              | .146 [3.71]         |                     |              |               |              |                                  |
| 190570090       | B-537-08           | ---             | ---                | 8              | .173 [4.39]         |                     |              |               |              |                                  |
| 190570093       | B-537-10           | ---             | ---                | 10             | .198 [5.03]         |                     |              |               |              |                                  |
| 190570100       | B-539-08           | ---             | ---                | 8              | .173 [4.39]         | .342 [8.69]         | .310 [7.87]  | 1.067 [27.10] | ---          | .031 [0.79]                      |
| 190570102       | B-539-10           | ---             | ---                | 10             | .198 [5.03]         |                     |              |               |              |                                  |



PARTS ON TAPE

NOTES:

- MATERIAL:
  - (A). RING TONGUE TERMINAL: COPPER  
PLATING: ELECTRO-TIN (.0003 MIN.)
  - (B). TIN-PLATED BRASS FUNNEL FERRULE
  - (C). INSULATION: NYLON (BLUE)
- MWID: MAXIMUM WIRE INSULATION DIAMETER
- WIRE SIZE: 16 -14 AWG  
1.0 -2.5 MM<sup>2</sup>
- ALL DIMENSIONS IN INCHES/[MM].
- PARTS ARE ROHS COMPLIANT.
- DIMS. SHOWN ARE FOR REFERENCE ONLY.

|                 |   |    |              |                        |   |                 |  |                |          |          |              |
|-----------------|---|----|--------------|------------------------|---|-----------------|--|----------------|----------|----------|--------------|
| SYMBOLS         | THIS DRAWING CONTAINS INFORMATION THAT IS PROPRIETARY TO MOLEX ELECTRONIC TECHNOLOGIES, LLC AND SHOULD NOT BE USED WITHOUT WRITTEN PERMISSION |    |              |                        |   |                 |  |                |          |          |              |
|                 | DIMENSION UNITS   |    | SCALE        |                        | CURRENT REV DESC: MIGRATION TO ECTR/NX  |                 |  |                |          |          |              |
| ▽ = 0           | INCH/MM   |    | NTS          |                        | EC NO: 620952<br>DRWN: ABENJAMINLW 2019/06/14<br>CHK'D: GROJAS01 2019/07/19<br>APPR: JMACNEIL 2019/08/05<br>INITIAL REVISION:<br>DRWN: KO 1984/11/12<br>APPR: JMACNEIL 2019/08/05 |                 |  |                |          |          |              |
| ▽ = 0           | GENERAL TOLERANCES (UNLESS SPECIFIED)   |    |              |                        |   |                 |  |                |          |          |              |
| ▽ = 0           |   |    | MM           | INCH                   |   |                 |  |                |          |          |              |
| ▽ = 0           | 4 PLACES  | ±  | ---          | ±                      | ---   |                 |  |                |          |          |              |
| ▽ = 0           | 3 PLACES  | ±  | ---          | ±                      | .005  |                 |  |                |          |          |              |
| ▽ = 0           | 2 PLACES  | ±  | 0.13         | ±                      | .01   |                 |  |                |          |          |              |
| ▽ = 0           | 1 PLACE   | ±  | 0.25         | ±                      | ---   |                 |  |                |          |          |              |
| ▽ = 0           | 0 PLACES  | ±  | ---          | ±                      | ---   |                 |  |                |          |          |              |
| ▽ = 0           | ANGULAR TOL ± 0.5 °   |    |              |                        |   |                 |  |                |          |          |              |
| ▽ = 0           | DRAFT WHERE APPLICABLE MUST REMAIN WITHIN DIMENSIONS  |    |              | THIRD ANGLE PROJECTION |   | DRAWING         |  | SERIES         |          |          |              |
| ▽ = 0           |   |    |              | C-SIZE                 |   | 19057           |  |                |          |          |              |
| DOCUMENT STATUS |   | P1 | RELEASE DATE | 2019/08/05             | 20:29:45  | DOCUMENT NUMBER |  | 190570042      | DOC TYPE | DOC PART | REVISION     |
|                 |   |    |              |                        |   | MATERIAL NUMBER |  | SEE TABLE      | CUSTOMER |          | SHEET NUMBER |
|                 |   |    |              |                        |   |                 |  | GENERAL MARKET |          |          | 1 OF 1       |

**molex**

RING TONGUE TERMINAL  
AVIKRIMP 500-SERIES

PRODUCT CUSTOMER DRAWING

DOCUMENT NUMBER | DOC TYPE | DOC PART | REVISION

190570042 | PSD | 000 | A

MATERIAL NUMBER | CUSTOMER | SHEET NUMBER

SEE TABLE | GENERAL MARKET | 1 OF 1

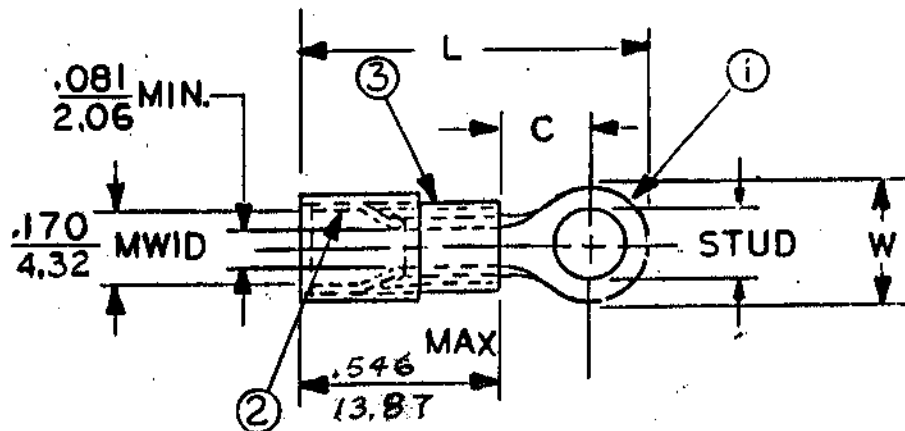
**NOTES:**

- ① MAT'L: COPPER (STOCK TKN.  $\frac{.031}{.79} \pm .001$ )  
PLATING: ELECTRO TIN (.0003 MIN)
- ② TIN-PLATED BRASS FUNNEL FERRULE
- ③ NYLON INSULATION (COLOR CODED BLUE)

**STUD SIZES: ( $\pm .005$ )**

- 02 = .094
- 04 = .119
- 06 = .146
- 08 = .173
- 10 = .198
- 14 = .265
- 56 = .328
- 38 = .390

"UL" LISTING #E32244  
"CSA" LISTING #18689



WIRE SIZE: 16-14 AWG  
1.0-2.5 MM<sup>2</sup>

ALL DIMENSIONS =  $\frac{\text{INCHES}}{\text{MM}}$  (MWID) = DENOTES MAXIMUM WIRE INSULATION DIAMETER

| PART NUMBER | "W" $\pm .010$       | "C" MIN.             | "L" MAX.              |  |  |  | AVAILABLE STUD SIZES |
|-------------|----------------------|----------------------|-----------------------|--|--|--|----------------------|
| B-518-      | $\frac{.534}{13.56}$ | $\frac{.554}{14.07}$ | $\frac{1.407}{35.74}$ |  |  |  | 10, 14, 56, 38       |
| B-523-      | $\frac{.250}{6.35}$  | $\frac{.209}{5.31}$  | $\frac{.931}{23.65}$  |  |  |  | 02, 04, 06, 08       |
| B-525-      | $\frac{.467}{11.86}$ | $\frac{.388}{9.86}$  | $\frac{1.208}{30.68}$ |  |  |  | 10, 14, 56           |
| B-539-      | $\frac{.342}{8.69}$  | $\frac{.310}{7.87}$  | $\frac{1.067}{27.10}$ |  |  |  | 04, 06, 08, 10       |
| B-537-      | $\frac{.312}{7.92}$  | $\frac{.285}{7.24}$  | $\frac{1.022}{25.96}$ |  |  |  | 04, 06, 08, 10       |

|   |      |      |                                  |              |          |
|---|------|------|----------------------------------|--------------|----------|
| DIMENSIONAL TOLERANCES UNLESS OTHERWISE SPECIFIED |      |      | REFERENCE                        | SCALE: NTS   | DATE     |
| FRAC.   | DEC. | ANG. | REV. A 06/18/80<br>REV. B 1/6/93 | DRWN. BY: K0 | 11-12-84 |
| ±   | ±    | ±    |                                  | CHKD. BY: 6Z | 11-30-84 |
|   |      |      |                                  | APPRD. BY:   |          |

TITLE:  
RING TONGUE  
TERMINAL  
AVIKRIMP  
500-SERIES

**ETC** molex  
INCORPORATED

DWG. NO. **A** CUSTOMER DWG.