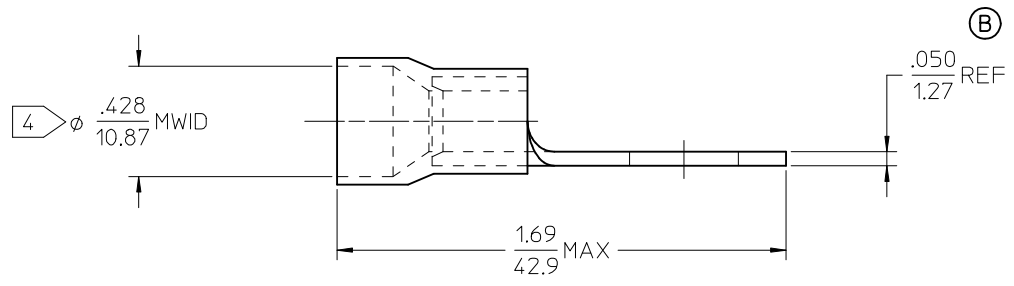
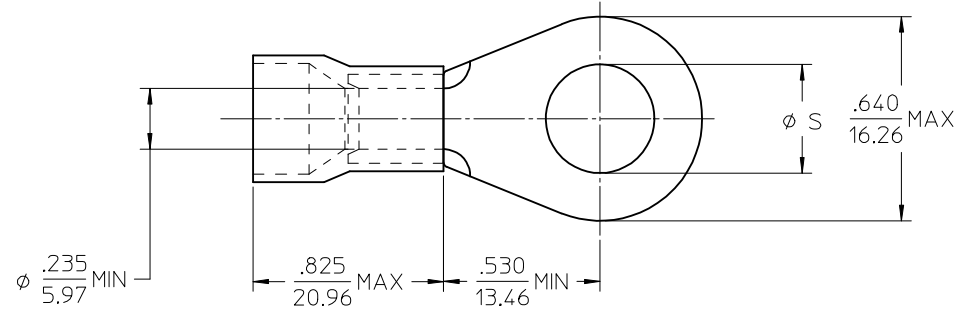


MATERIAL NO.	ENG. NO.	STUD SIZE	$\phi S \pm .005/0.13$
190670043	E-957-08	8	.173/4.39
190670045	E-957-10	10	.198/5.03
190670047	E-957-14	1/4	.265/6.73
190670052	E-957-38	3/8	.390/9.91
190670055	E-957-56	5/16	.328/8.33
190670059	E-957-76	7/16	.453/11.51



- NOTE(S):
1. TERMINAL MATERIAL: COPPER ALLOY.
 2. TERMINAL FINISH: ELECTRO TIN PLATE.
 3. INSULATION MATERIAL: NYLON, COLOR CODED BLUE.
- \square MWID = MAXIMUM WIRE INSULATION DIAMETER.
- \textcircled{B} 5. ALL COMPONENTS ARE ROHS COMPLIANT.

REDWN & RDC MATL THKNS EC NO: B DRW: EHILE CHKD: JMACNEIL APPR:	DESCRIPTION 2006/10/16	QUALITY SYMBOLS $\blacktriangledown=0$ $\nabla=0$	GENERAL TOLERANCES (UNLESS SPECIFIED)	DIMENSION STYLE IN/MM	SCALE 4:1	DESIGN UNITS INCH	THIRD ANGLE PROJECTION													
			<table border="1"> <thead> <tr> <th></th> <th>mm</th> <th>INCH</th> </tr> </thead> <tbody> <tr> <td>4 PLACES</td> <td>\pm----</td> <td>\pm----</td> </tr> <tr> <td>3 PLACES</td> <td>\pm----</td> <td>\pm----</td> </tr> <tr> <td>2 PLACES</td> <td>\pm----</td> <td>\pm----</td> </tr> <tr> <td>1 PLACE</td> <td>\pm----</td> <td>\pm----</td> </tr> </tbody> </table>		mm	INCH	4 PLACES	\pm ----	\pm ----	3 PLACES	\pm ----	\pm ----	2 PLACES	\pm ----	\pm ----	1 PLACE	\pm ----	\pm ----	DRAWN BY DATE EHILE 2006/10/16	TITLE RING TONGUE TERMINAL, FUNNEL ENTRY, 6 AWG, NYLAKRIMP
		mm	INCH																	
	4 PLACES	\pm ----	\pm ----																	
3 PLACES	\pm ----	\pm ----																		
2 PLACES	\pm ----	\pm ----																		
1 PLACE	\pm ----	\pm ----																		
		CHECKED BY DATE JMACNEIL 2006/10/16	MOLEX INCORPORATED																	
		APPROVED BY DATE JMACNEIL 2006/10/16		DOCUMENT NO. SD-19067-013																
		DRAFT WHERE APPLICABLE MUST REMAIN WITHIN DIMENSIONS	MATERIAL NO. SEE CHART	SHEET NO. 1 OF 1																