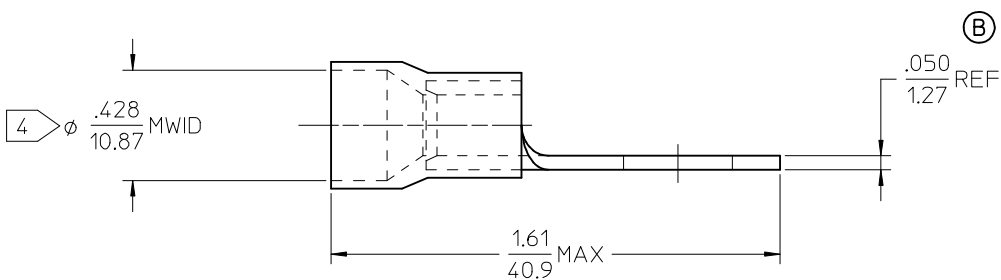
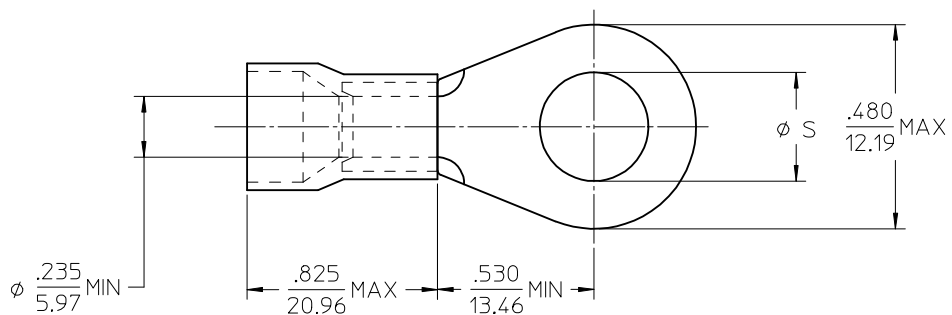


MATERIAL NO.	ENG. NO.	STUD SIZE	$\phi S \pm .005/0.13$
190670067	E-960-08	8	.173/4.39
190670069	E-960-10	10	.198/5.03
190670071	E-960-14	1/4	.265/6.73
190670073	E-960-56	5/16	.328/8.33



NOTE(S):

1. TERMINAL MATERIAL: COPPER ALLOY.
2. TERMINAL FINISH: ELECTRO TIN PLATE.
3. INSULATION MATERIAL: NYLON, COLOR CODED BLUE.
4. M/WID = MAXIMUM WIRE INSULATION DIAMETER.
5. ALL COMPONENTS ARE ROHS COMPLIANT.

REDWN & RDC MATL THKNS EC NO: B DRW: EHILE CHKD: JMACNEIL APPR:	DESCRIPTION 2006/10/16	QUALITY SYMBOLS	GENERAL TOLERANCES (UNLESS SPECIFIED)	DIMENSION STYLE	SCALE	DESIGN UNITS	THIRD ANGLE PROJECTION															
		$\nabla=0$ $\nabla 7=0$	<table border="1"> <thead> <tr> <th></th> <th>mm</th> <th>INCH</th> </tr> </thead> <tbody> <tr> <td>4 PLACES</td> <td>\pm----</td> <td>\pm----</td> </tr> <tr> <td>3 PLACES</td> <td>\pm----</td> <td>\pm----</td> </tr> <tr> <td>2 PLACES</td> <td>\pm----</td> <td>\pm----</td> </tr> <tr> <td>1 PLACE</td> <td>\pm----</td> <td>\pm----</td> </tr> </tbody> </table>		mm	INCH	4 PLACES	\pm ----	\pm ----	3 PLACES	\pm ----	\pm ----	2 PLACES	\pm ----	\pm ----	1 PLACE	\pm ----	\pm ----	IN/MM	4:1	INCH	
			mm	INCH																		
		4 PLACES	\pm ----	\pm ----																		
3 PLACES	\pm ----	\pm ----																				
2 PLACES	\pm ----	\pm ----																				
1 PLACE	\pm ----	\pm ----																				
	ANGULAR \pm ----	DRAWN BY EHILE	DATE 2006/10/16	TITLE RING TONGUE TERMINAL, FUNNEL ENTRY, 6 AWG, NYLAKRIMP																		
		DRAFT WHERE APPLICABLE MUST REMAIN WITHIN DIMENSIONS	APPROVED BY JMACNEIL	DATE 2006/10/16	MOLEX INCORPORATED DOCUMENT NO. SD-19067-016		SHEET NO. 1 OF 1															