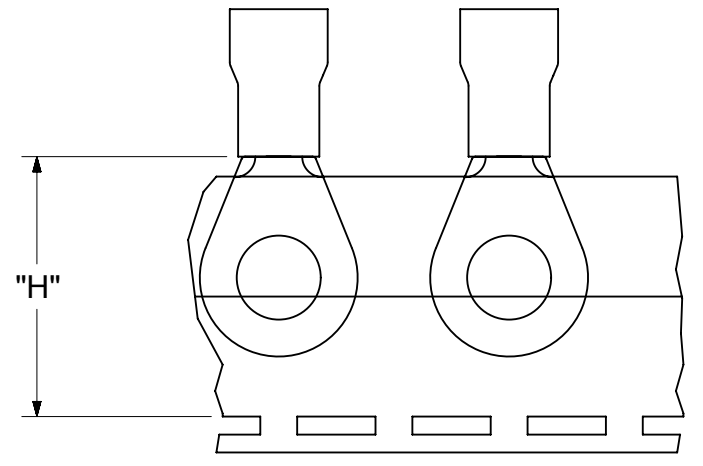
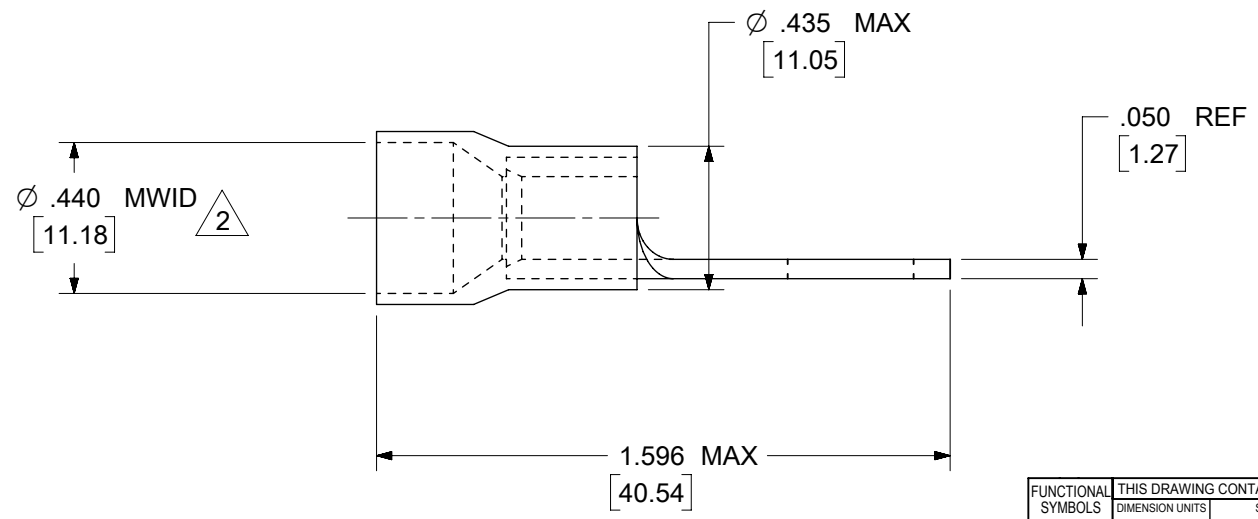
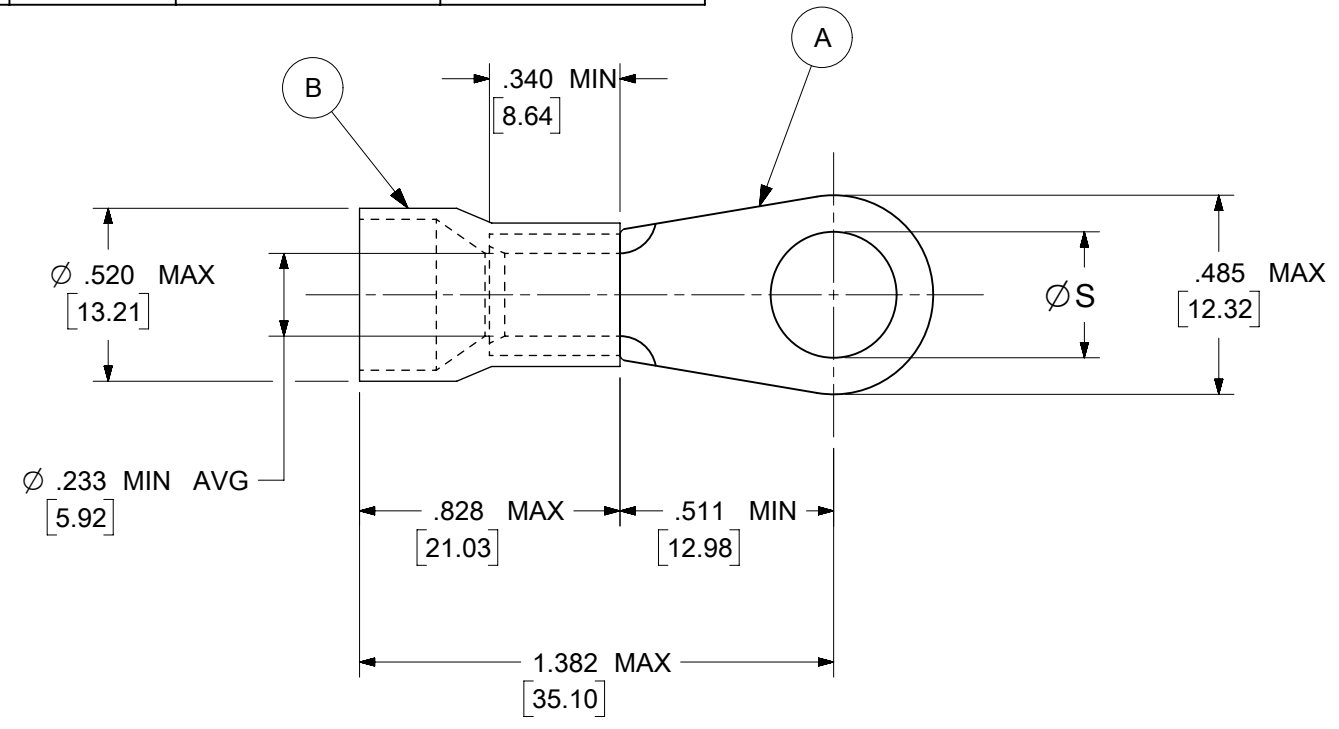


LOOSE PIECE		TAPE MOUNTED		SPECIFICATIONS		
MATERIAL NUMBER	ENGINEERING NUMBER	MATERIAL NUMBER	ENGINEERING NUMBER	STUD SIZE	"S" ±.005 [0.13]	"H" REF
190710218	E-660-08X	190710219	E-660-08XT	8	.173 [4.39]	1.172 [29.77]
190710221	E-660-10X	190710223	E-660-10XT	10	.198 [5.03]	
190710225	E-660-14X	190710227	E-660-14XT	1/4	.265 [6.73]	
190710229	E-660-56X	190710230	E-660-56XT	5/16	.328 [8.33]	

C1



PARTS ON TAPE

- NOTES:
- MATERIAL:
    - (A). TERMINAL: COPPER ALLOY
    - PLATING: ELECTRO-TIN (.0003 MIN.)
    - (B). INSULATION: MOLDED PVC (BLUE)
  - MWID: MAXIMUM WIRE INSULATION DIAMETER
  - WIRE SIZE: 6 AWG  
16 MM<sup>2</sup>
  - ALL COMPONENTS ARE ROHS COMPLIANT.
  - DIMS. SHOWN ARE FOR REFERENCE ONLY.

THIS DRAWING CONTAINS INFORMATION THAT IS PROPRIETARY TO MOLEX ELECTRONIC TECHNOLOGIES, LLC AND SHOULD NOT BE USED WITHOUT WRITTEN PERMISSION									
FUNCTIONAL SYMBOLS	FA = 0	INCH/MM	SCALE	CURRENT REV DESC: MIGRATED TO ECTR/NX AND ADDED TAPED P/NS					
	FE = 0	NTS	GENERAL TOLERANCES (UNLESS SPECIFIED)						
DIVISIONAL SYMBOLS	FD = 0	4 PLACES	±	---	±	---	MM	INCH	EC NO: 636245
		3 PLACES	±	---	±	---			DRWN: ABENJAMINLW 2020/04/20
		2 PLACES	±	---	±	---			CHK'D: DMYRICK 2020/04/21
		1 PLACE	±	---	±	---			APPR: JMACNEIL 2020/04/21
	0 PLACES	±	---	±	---			INITIAL REVISION:	
	ANGULAR TOL	±	---					DRWN: EHILE 2006/10/20	
								APPR: JMACNEIL 2006/10/20	
DRAFT WHERE APPLICABLE MUST REMAIN WITHIN DIMENSIONS		THIRD ANGLE PROJECTION		DRAWING	SERIES	MATERIAL NUMBER	CUSTOMER	DOCUMENT NUMBER	DOC TYPE
				B-SIZE	19071	SEE CHART	GENERAL MARKET	SD-19071-015	PSD
								DOC PART	REVISION
								001	C1
								SHEET NUMBER	
								1 OF 1	