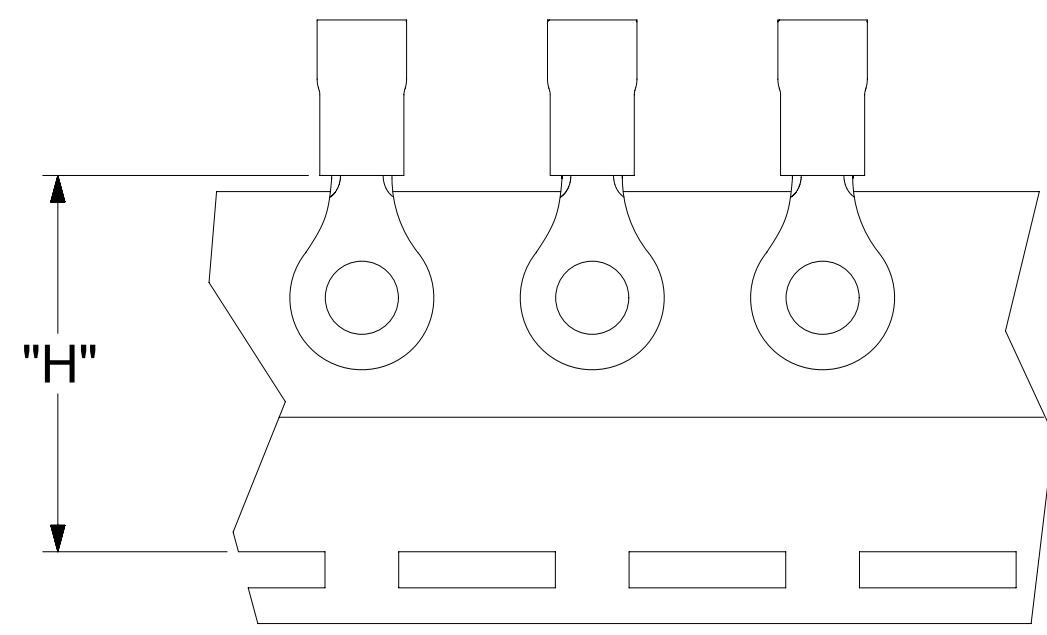
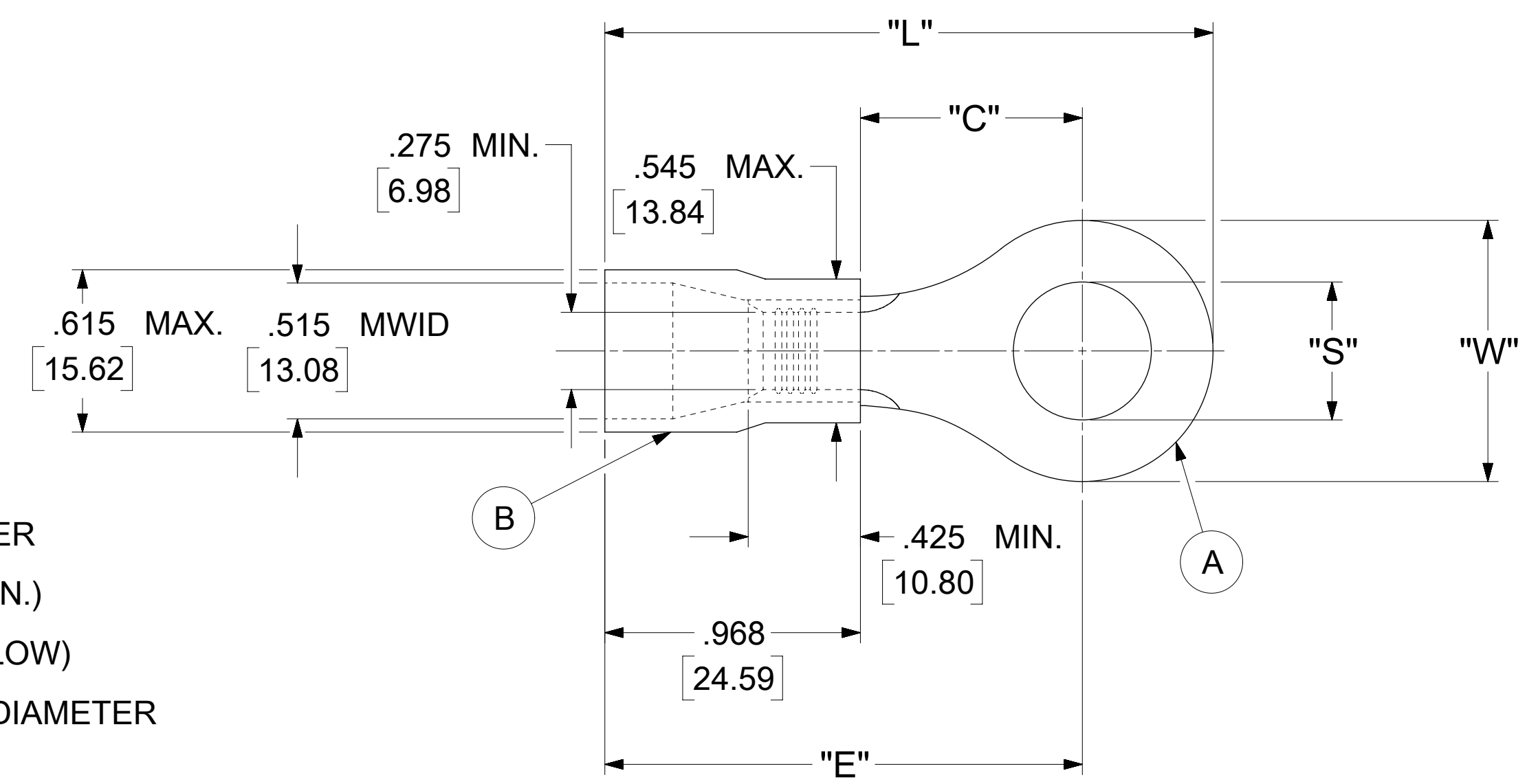
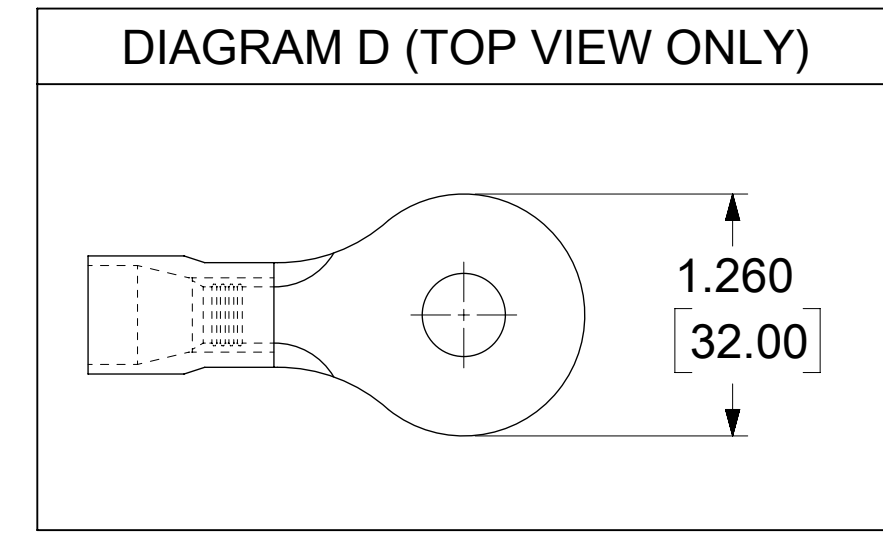
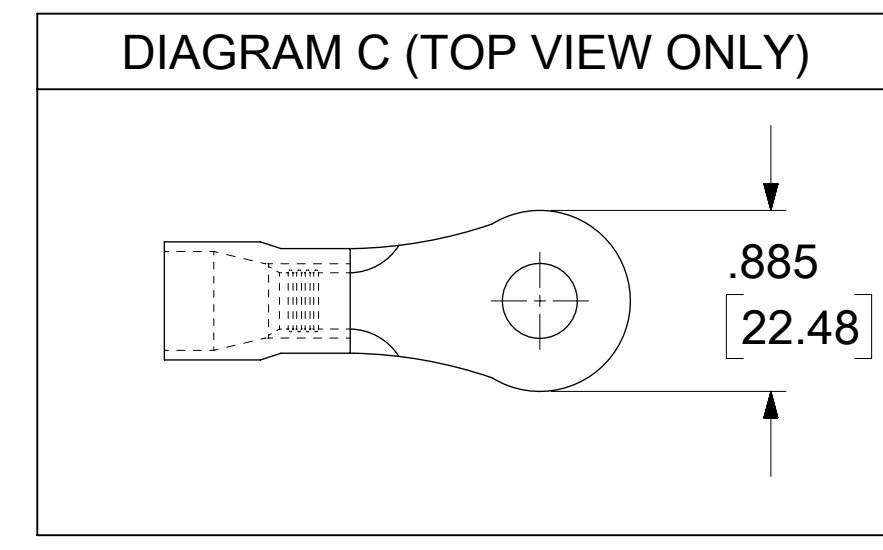
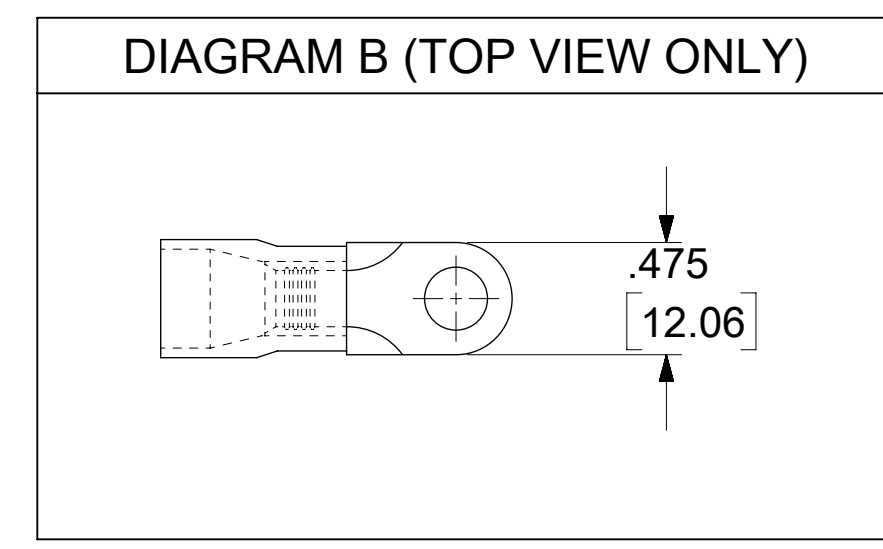
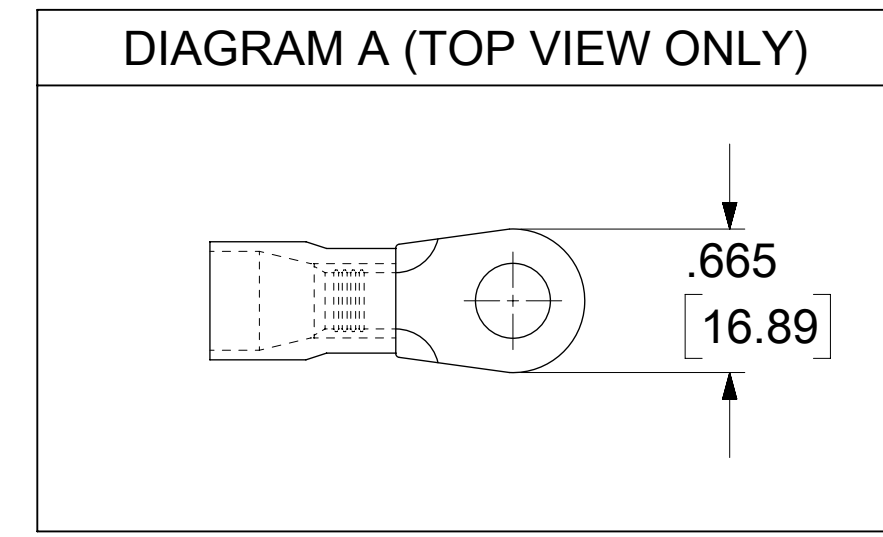


LOOSE PIECE		TAPE MOUNTED		SPECIFICATIONS								
MATERIAL NUMBER	ENGINEERING NUMBER	MATERIAL NUMBER	ENGINEERING NUMBER	STUD SIZE	"S" ±.005 [0.13]	"W" ±.010 [0.25]	"C" MIN.	"E" MAX.	"L" MAX.	"H"	STOCK ±.001 [0.025] THICKNESS	DIAGRAM
190710231	F-666-10X	---	---	10	.198 [5.03]	.665 [16.89]	.520 [13.21]	1.534 [38.96]	1.846 [46.89]	1.200 [30.48]	.067 [1.70]	A
190710234	F-666-12X	---	---	12	.515 [13.08]							
190710237	F-666-14X	---	---	14	.265 [6.73]							
190710240	F-666-38X	190710379	F-666-38XT	38	.390 [9.91]							
190710243	F-666-56X	190710246	F-666-56X	56	.328 [8.33]							
190710247	F-666-76X	---	---	76	.453 [11.51]							
190710250	F-667-10X	190710252	F-667-10XT	10	.198 [5.03]	.475 [12.07]	.520 [13.21]	1.534 [38.96]	1.756 [44.60]	1.200 [30.48]	.067 [1.70]	B
190710253	F-667-14X	190710254	F-667-14XT	14	.265 [6.73]							
---	---	---	---	56	.328 [8.33]							
---	---	---	---	12	.515 [13.08]	.885 [22.48]	.989 [25.12]	2.003 [50.88]	2.412 [61.27]	---	.075 [1.91]	C
---	---	---	---	14	.265 [6.73]							
---	---	---	---	38	.390 [9.91]							
---	---	---	---	56	.328 [8.33]							
---	---	---	---	58	.656 [16.67]							
---	---	---	---	76	.453 [11.51]							
---	---	---	---	12	.515 [13.08]	1.260 [32.00]	.989 [25.12]	2.003 [50.88]	2.599 [66.01]	---	.075 [1.91]	D
---	---	---	---	14	.265 [6.73]							
---	---	---	---	34	.781 [19.84]							
---	---	---	---	38	.390 [9.91]							
---	---	---	---	56	.328 [8.33]							
190710270	F-670-58X	---	---	58	.656 [16.67]	---	---	---	---	---	---	---
---	---	---	---	76	.453 [11.51]							



PARTS ON TAPE

- NOTES:
- MATERIAL:
 - (A). RING TONGUE TERMINAL: COPPER
 - PLATING: ELECTRO-TIN (.0003 MIN.)
 - (B). INSULATION: MOLDED PVC (YELLOW)
 - MWID: MAXIMUM WIRE INSULATION DIAMETER
 - WIRE SIZE: 4 AWG
25 MM²
 - "UL" LISTING #E32244
"CSA" LISTING #18689
 - ALL DIMENSIONS IN INCHES/[MM].
 - PARTS ARE ROHS COMPLIANT.
 - DIMS. SHOWN ARE FOR REFERENCE ONLY.

SYMBOLS	THIS DRAWING CONTAINS INFORMATION THAT IS PROPRIETARY TO MOLEX ELECTRONIC TECHNOLOGIES, LLC AND SHOULD NOT BE USED WITHOUT WRITTEN PERMISSION		CURRENT REV DESC: MIGRATION TO ECTR/NX	
	DIMENSION UNITS	SCALE		
▽ = 0	INCH/MM	NTS		
▽ = 0	GENERAL TOLERANCES (UNLESS SPECIFIED)			
▽ = 0		MM	INCH	
▽ = 0	4 PLACES	±	±	EC NO: 619818
▽ = 0	3 PLACES	±	± 0.005	DRWN: ABENJAMINLW 2019/06/19
▽ = 0	2 PLACES	± 0.13	± 0.01	CHK'D: GROJAS01 2019/06/27
▽ = 0	1 PLACE	± 0.25	±	APPR: JMACNEIL 2019/07/10
▽ = 0	0 PLACES	±	±	INITIAL REVISION:
▽ = 0	ANGULAR TOL ± °		DRWN: JTK 1970/01/21	
▽ = 0	DRAFT WHERE APPLICABLE MUST REMAIN WITHIN DIMENSIONS		APPR: JMACNEIL 2019/07/10	
▽ = 0	THIRD ANGLE PROJECTION	DRAWING	SERIES	MATERIAL NUMBER
		D-SIZE	19071	SEE TABLE
		CUSTOMER	SHEET NUMBER	
		GENERAL MARKET	1 OF 1	

molex

RING TONGUE TERMINAL
INSULKRIMP

PRODUCT CUSTOMER DRAWING

DOCUMENT NUMBER	DOC TYPE	DOC PART	REVISION
190710231	PSD	000	A