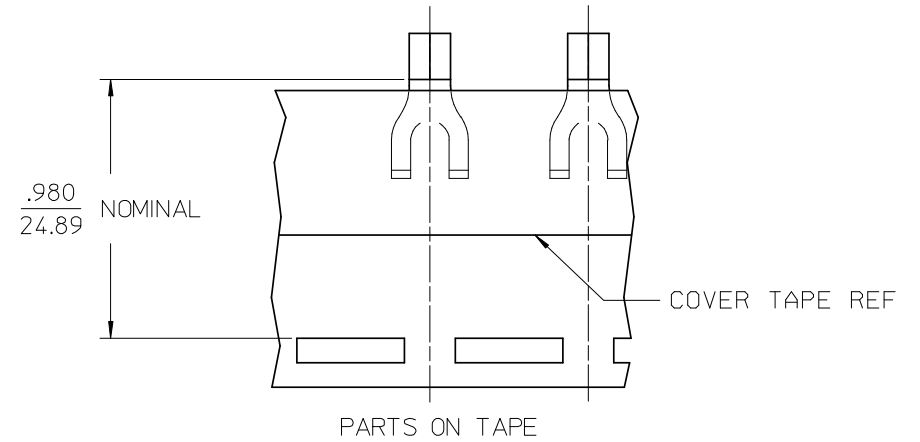
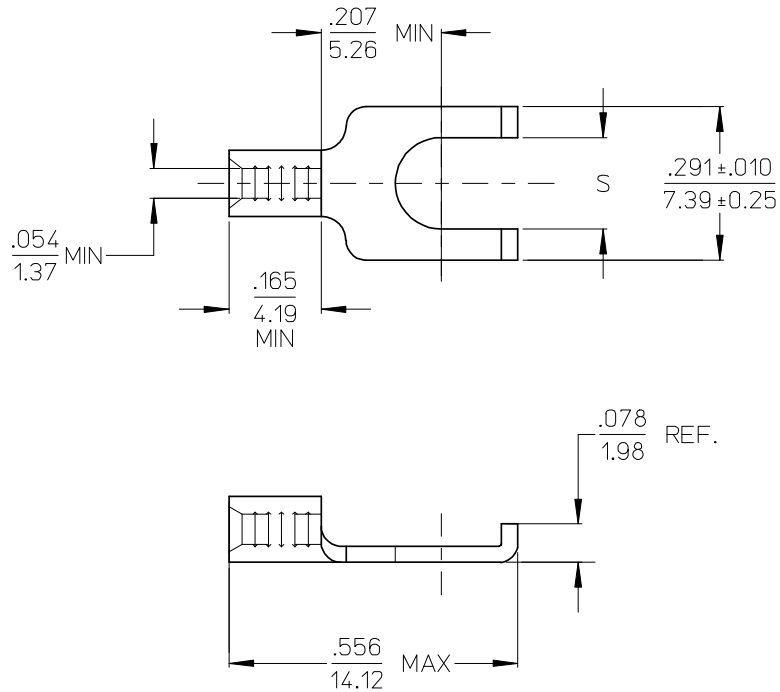


LOOSE PIECE		TAPE MOUNTED			
MATERIAL NUMBER	ENGINEERING NUMBER	MATERIAL NUMBER	ENGINEERING NUMBER	STUD SIZE	S ±.005
191180021	AA-115-06	191180022	AA-115-06T	6	.146/3.71
191180023	AA-115-08	191180024	AA-115-08T	8	.173/4.39
191180025	AA-115-10	191180099	AA-115-10T	10	.198/5.03



SALES DRAWING

NOTES:

1. MATERIAL: COPPER .031/0.78 THICK, REF.
2. PLATING: ELECTRO-TIN
3. PART IS RoHS COMPLIANT

ADD NOTE 3, REV DIMS EC NO: ETC2008-0012 DRWN: RSTONE 2007/11/26 CHKD: JMACNEIL 2007/11/26 APPR: JMACNEIL 2007/12/05	QUALITY SYMBOLS ▽=0 ∇=0	GENERAL TOLERANCES (UNLESS SPECIFIED)		DIMENSION STYLE	SCALE	DESIGN UNITS	THIRD ANGLE PROJECTION	
				IN/MM	4:1	INCH		
		4 PLACES	±---	±---	DRAWN BY	DATE	TITLE	
		3 PLACES	±---	±.005	JJ	1984/10/17	FLANGED SPADE TONGUE TERMINAL KRIMPTITE 100-SERIES	
2 PLACES	±0.13	±.01	GZ	1984/10/18	APPROVED BY			
1 PLACE	±0.25	±---	GZ	1984/10/18	DATE			
ANGULAR ±---°		DRAFT WHERE APPLICABLE MUST REMAIN WITHIN DIMENSIONS		MATERIAL NO.		DOCUMENT NO.		
				SEE CHART		SD-19118-003		
				SIZE B		THIS DRAWING CONTAINS INFORMATION THAT IS PROPRIETARY TO MOLEX INCORPORATED AND SHOULD NOT BE USED WITHOUT WRITTEN PERMISSION		
						SHEET NO. 1 OF 1		