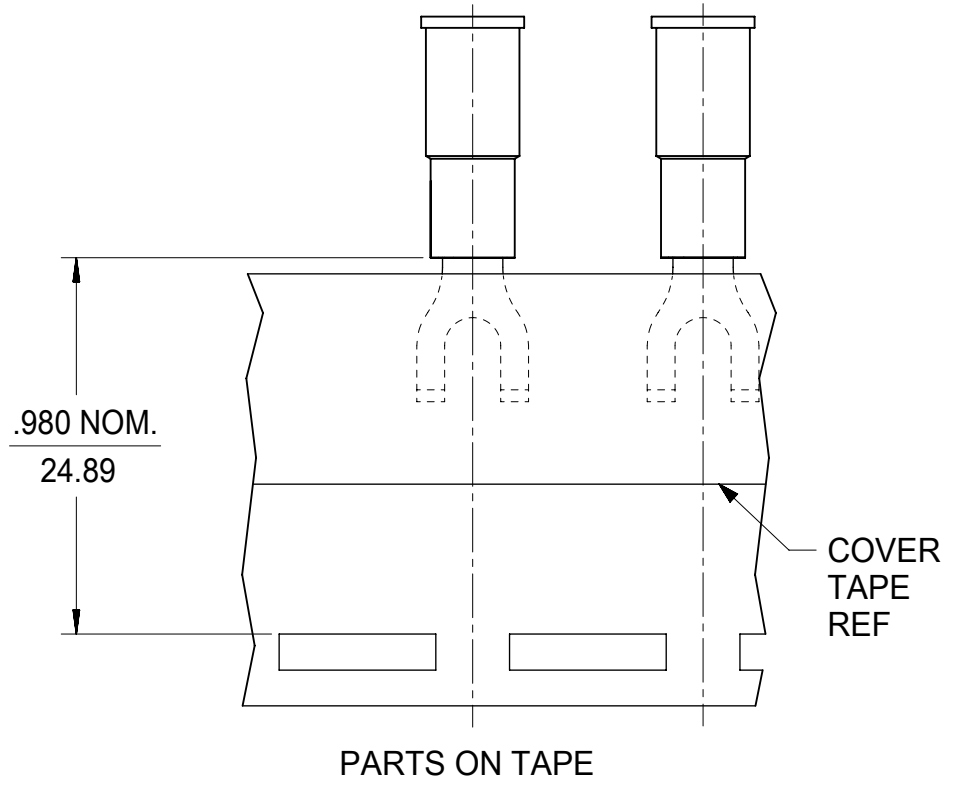
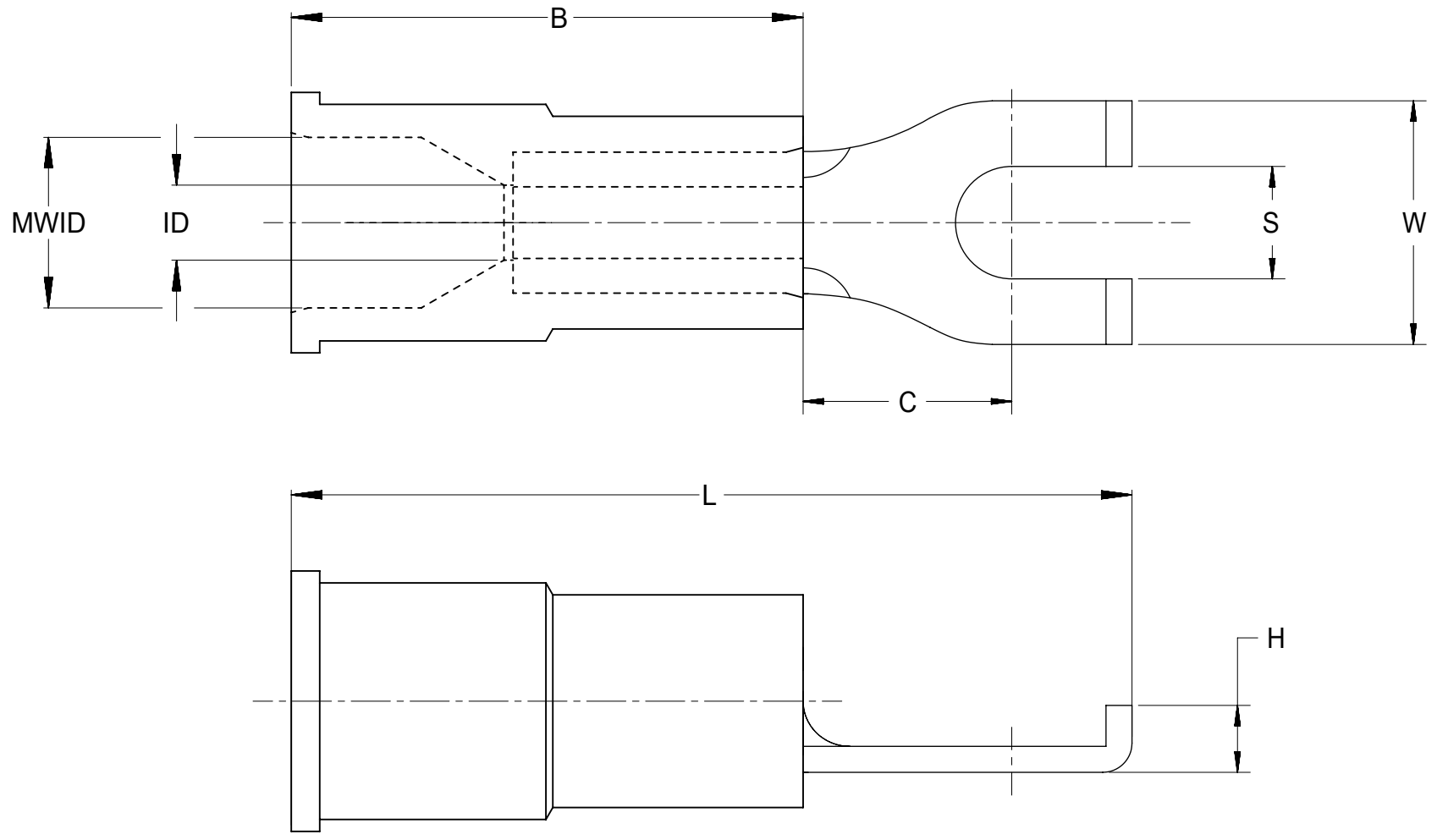


LOOSE PIECE		TAPE MOUNTED		DIMENSIONS									FINISH
MATERIAL NUMBER	ENGINEERING NUMBER	MATERIAL NUMBER	ENGINEERING NUMBER	STUD SIZE	S ±.005	W MAX	C MIN	ID MIN	MWID	B REF	L MAX	H REF	INSULATION COLOR
191190004	A-215-06X	----- A1 -----	-----	6	.146/3.71	.301/7.6	.207/5.3	.054/1.37	.145/3.68	.450/11.43	.836/21.23	.08/2.0	RED
191190007	A-215-08X	191190008	A-215-08XT	8	.173/4.39	.301/7.6	.207/5.3	.054/1.37	.145/3.68	.450/11.43	.836/21.23	.08/2.0	RED
191190010	A-215-10X	----- A1 -----	-----	10	.198/5.03	.301/7.6	.207/5.3	.054/1.37	.145/3.68	.450/11.43	.836/21.23	.08/2.0	RED
191190080	B-216-06X	191190027	B-216-06XT	6	.146/3.71	.301/7.6	.209/5.3	.081/2.06	.175/4.45	.450/11.43	.850/21.59	.08/2.0	BLUE
191190029	B-216-08X	191190030	B-216-08XT	8	.173/4.39	.301/7.6	.209/5.3	.081/2.06	.175/4.45	.450/11.43	.850/21.59	.08/2.0	BLUE
191190032	B-216-10X	191190033	B-216-10XT	10	.198/5.03	.301/7.6	.209/5.3	.081/2.06	.175/4.45	.450/11.43	.850/21.59	.08/2.0	BLUE



- NOTES:
1. MATERIAL: COPPER .031/.79 THICK
 2. PLATING: ELECTRO-TIN
 3. MWID = MAXIMUM WIRE INSULATION DIAMETER
 4. PART IS RoHS COMPLIANT

THIS DRAWING CONTAINS INFORMATION THAT IS PROPRIETARY TO MOLEX ELECTRONIC TECHNOLOGIES, LLC AND SHOULD NOT BE USED WITHOUT WRITTEN PERMISSION											
SYMBOLS		DIMENSION UNITS		SCALE		CURRENT REV DESC: RMV OBSO PN'S: 191190005 & -0051.			molex		
= 0		INCH/MM		NTS		GENERAL TOLERANCES (UNLESS SPECIFIED)					
= 0						EC NO: 632669			FLANGED SPADE TERMINAL, INSULKRIMP -200 SERIES, LONG BARREL		
= 0						DRWN: DMYRICK 2020/02/21			PRODUCT CUSTOMER DRAWING		
= 0						CHK'D: JMACNEIL 2020/02/24			DOCUMENT NUMBER		
= 0						APPR: JMACNEIL 2020/02/24			SD-19119-003		
= 0						INITIAL REVISION:			DOC TYPE		
= 0						DRWN: RSTONE 2007/11/26			PSD		
= 0						APPR: JMACNEIL 2007/12/05			DOC PART		
= 0						ANGULAR TOL ± 0.5°			001		
= 0						DRAFT WHERE APPLICABLE MUST REMAIN WITHIN DIMENSIONS			REVISION		
= 0						THIRD ANGLE PROJECTION			A1		
= 0						DRAWING			MATERIAL NUMBER		
= 0						B-SIZE			SEE CHART		
= 0						SERIES			CUSTOMER		
= 0						19119			GENERAL MARKET		
= 0									SHEET NUMBER		
= 0									1 OF 1		