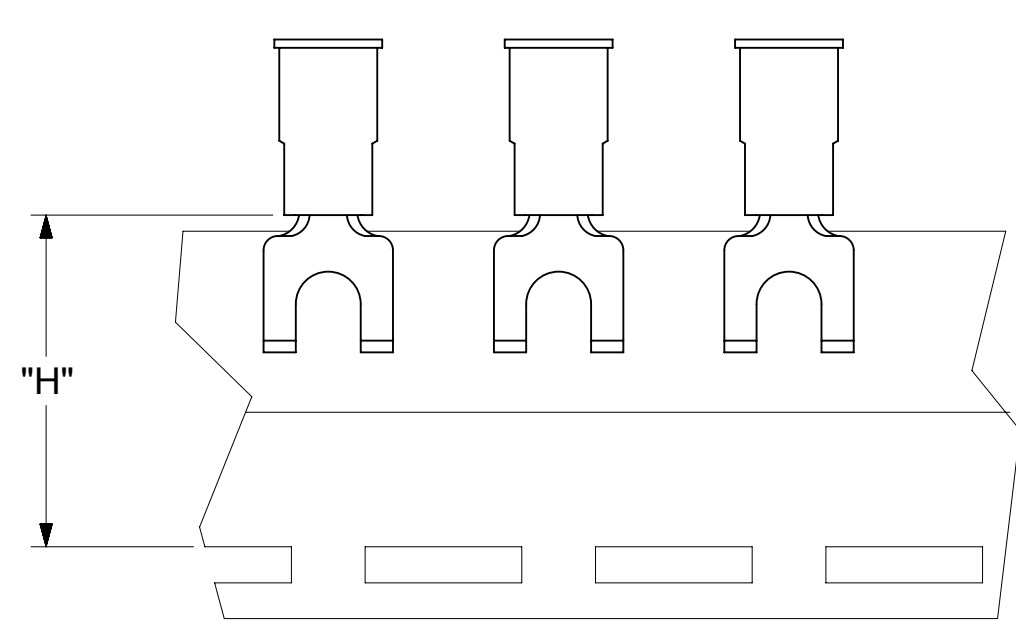
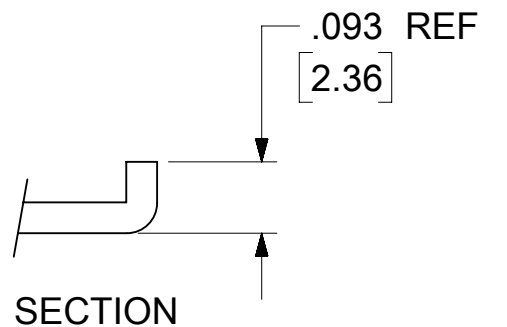
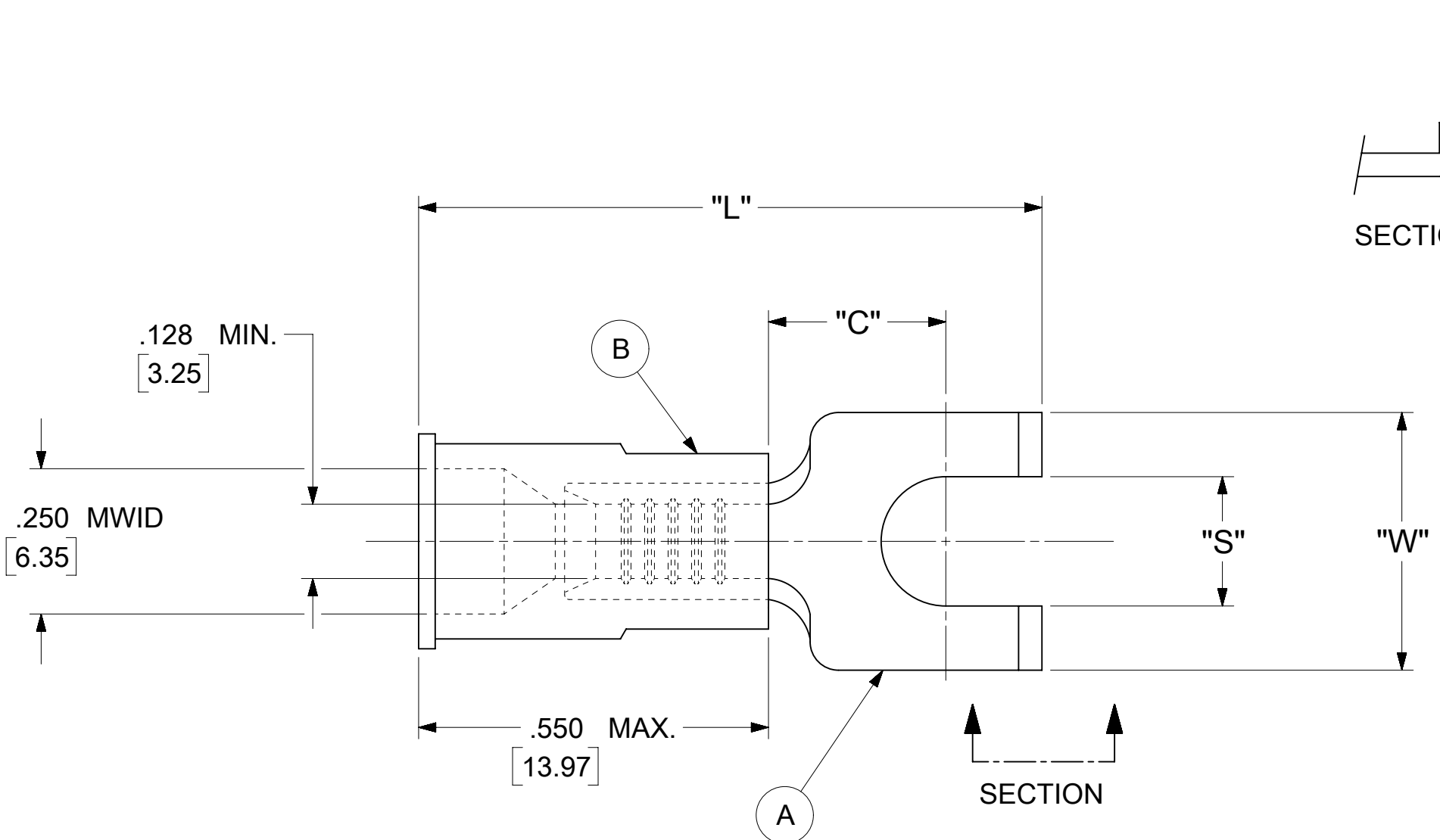


LOOSE PIECE		TAPE MOUNTED		SPECIFICATIONS					
MATERIAL NUMBER	ENGINEERING NUMBER	MATERIAL NUMBER	ENGINEERING NUMBER	STUD SIZE	"S" ±.005 [0.13]	"W" ±.010 [0.25]	"C" MIN.	"L" MAX.	"H"
191210046	C-2104-06X	---	---	6	.146 [3.71]	.320 [8.13]	.305 [7.75]	1.075 [27.31]	.980 [24.89]
191210047	C-2104-08X	191210048	C-2104-08XT	8	.173 [4.39]				
191210049	C-2104-10X	191210050	C-2104-10XT	10	.198 [5.03]				



- NOTES:
- MATERIAL:
    - (A). TERMINAL: COPPER (STOCK THICKNESS .040±.001 [1.02])
    - PLATING: ELECTRO-TIN (.0003 MIN.)
    - (B). INSULATION: MOLDED NYLON (YELLOW)
  - MWID: MAXIMUM WIRE INSULATION DIAMETER
  - WIRE SIZE: 12 -10 AWG  
4.0 -6.0 MM<sup>2</sup>
  - "UL" LISTING #E32244  
"CSA" LISTING #18689
  - ALL DIMENSIONS IN INCHES/[MM].
  - PARTS ARE ROHS COMPLIANT.
  - DIMS. SHOWN ARE FOR REFERENCE ONLY.

SYMBOLS	THIS DRAWING CONTAINS INFORMATION THAT IS PROPRIETARY TO MOLEX ELECTRONIC TECHNOLOGIES, LLC AND SHOULD NOT BE USED WITHOUT WRITTEN PERMISSION			
	DIMENSION UNITS	SCALE		CURRENT REV DESC: MIGRATION TO ECTR/NX
∇ = 0	INCH/MM	NTS		EC NO: 621540 DRWN: ABENJAMINLW 2019/07/24 CHK'D: GROJAS01 2019/07/29 APPR: JMACNEIL 2019/08/05
∇ = 0	GENERAL TOLERANCES (UNLESS SPECIFIED)			
∇ = 0		MM	INCH	INITIAL REVISION: DRWN: JJ 1984/10/31 APPR: JMACNEIL 2019/08/05
∇ = 0	4 PLACES	± ---	± ---	
∇ = 0	3 PLACES	± ---	± .005	SERIES 19121
∇ = 0	2 PLACES	± 0.13	± .01	
∇ = 0	1 PLACE	± 0.25	± ---	MATERIAL NUMBER 191210045
∇ = 0	0 PLACES	± ---	± ---	
∇ = 0	ANGULAR TOL	± 0.5 °		CUSTOMER GENERAL MARKET
∇ = 0	DRAFT WHERE APPLICABLE MUST REMAIN WITHIN DIMENSIONS		THIRD ANGLE PROJECTION	SHEET NUMBER 1 OF 1
∇ = 0			DRAWING C-SIZE	



FLANGE SPADE TONGUE  
TERMINAL INSULKRIMP 200-SERIES

PRODUCT CUSTOMER DRAWING

DOCUMENT NUMBER 191210045 DOC TYPE PSD DOC PART 000 REVISION A

MATERIAL NUMBER 191210045 CUSTOMER GENERAL MARKET SHEET NUMBER 1 OF 1