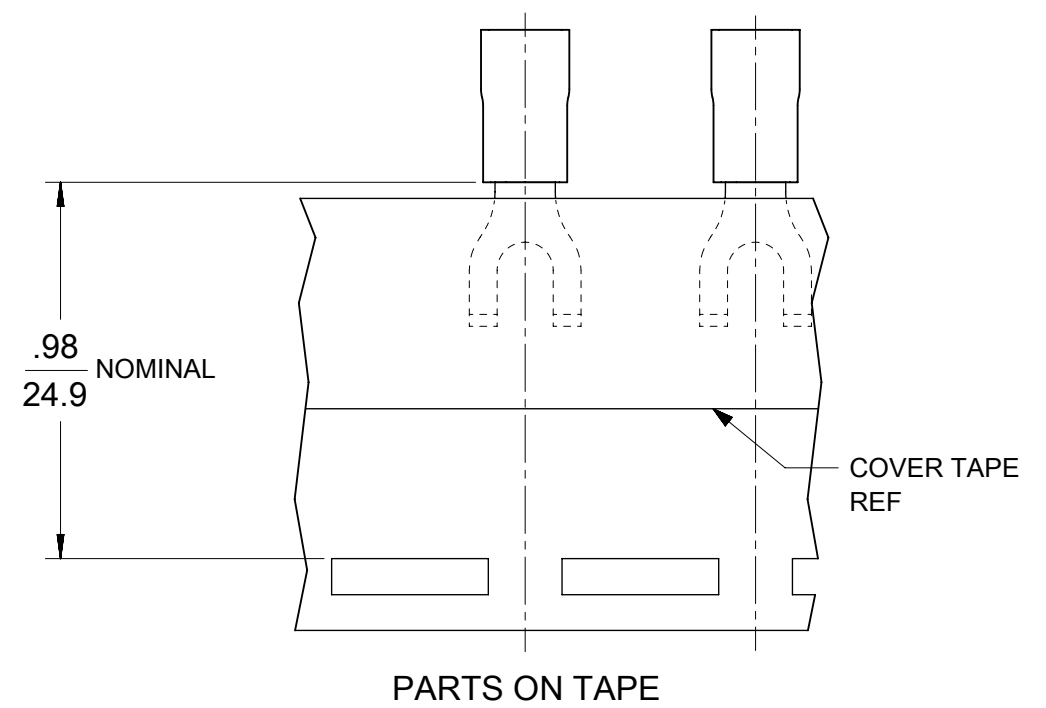
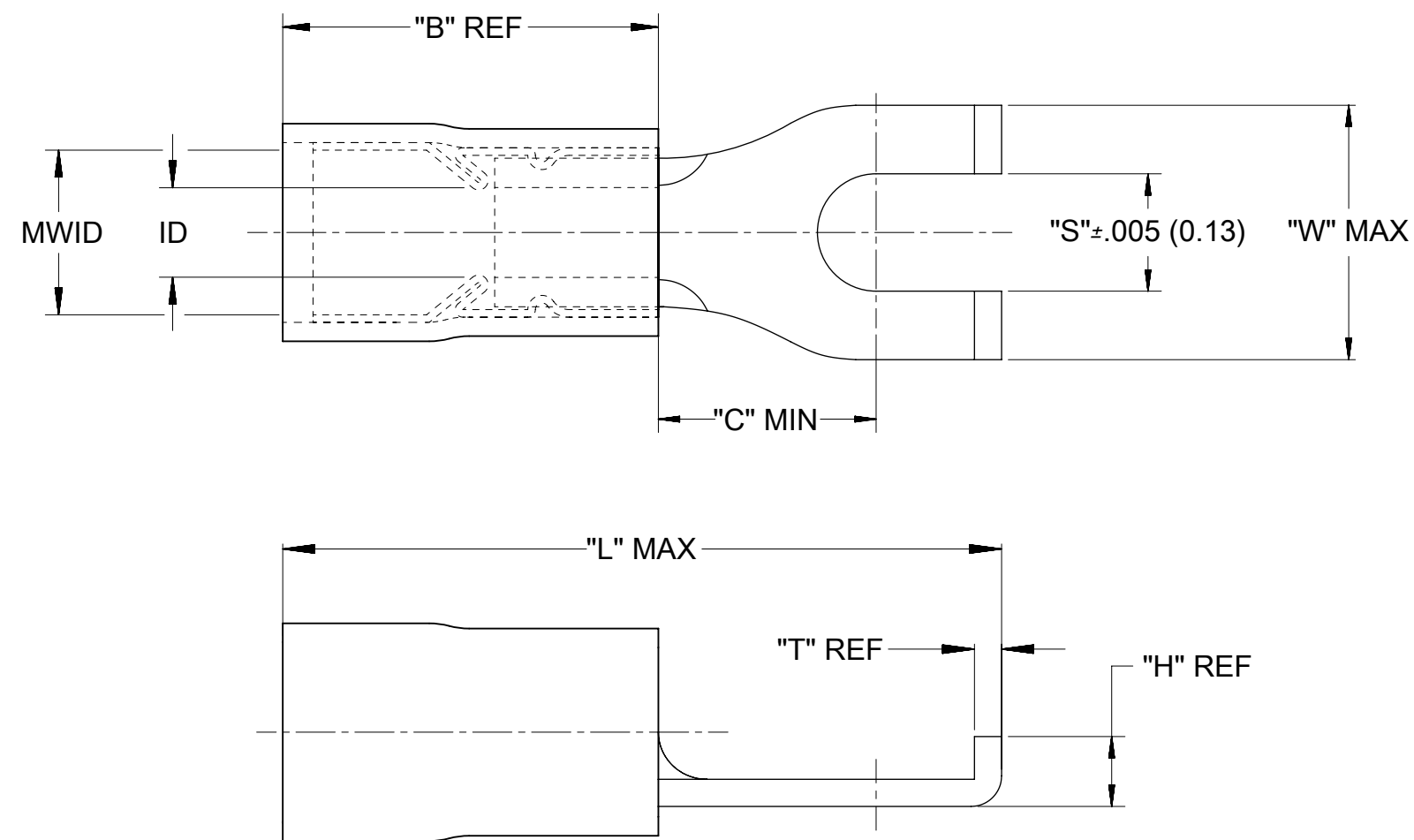


LOOSE PIECE		TAPE MOUNTED		DIMENSIONS				DIMENSIONS					FINISH	
MATERIAL NUMBER	ENGINEERING NUMBER	MATERIAL NUMBER	ENGINEERING NUMBER	STUD SIZE	S ±.005	W MAX	C MIN	ID MIN	MWID	B REF	L MAX	H REF	T REF	INSULATION COLOR
191270007	AA-815-06	191270009	AA-815-06T	6	.146/3.71	.301/7.6	.207/5.3	.054/1.37	.138/3.51	.400/10.16	.781/19.84	.08/2.0	.031/0.79	RED
191270010	AA-815-08	191270011	AA-815-08T	8	.173/4.39	.301/7.6	.207/5.3	.054/1.37	.138/3.51	.400/10.16	.781/19.84	.08/2.0	.031/0.79	RED
191270012	AA-815-10	191270013	AA-815-10T	10	.198/5.03	.301/7.6	.207/5.3	.054/1.37	.138/3.51	.400/10.16	.781/19.84	.08/2.0	.031/0.79	RED
191270039	BB-816-06	191270041	BB-816-06T	6	.146/3.71	.301/7.6	.209/5.3	.081/2.06	.165/4.19	.400/10.16	.810/20.32	.08/2.0	.031/0.79	BLUE
191270042	BB-816-08	191270044	BB-816-08T	8	.173/4.39	.301/7.6	.209/5.3	.081/2.06	.165/4.19	.400/10.16	.810/20.32	.08/2.0	.031/0.79	BLUE
191270099	BB-816-10	-----	-----	10	.198/5.03	.301/7.6	.209/5.3	.081/2.06	.165/4.19	.400/10.16	.810/20.32	.08/2.0	.031/0.79	BLUE
191270086	C-817-08	191270087	C-817-08T	8	.173/4.39	.385/9.8	.270/6.85	.128/3.25	.225/5.71	.560/14.22	1.046/26.57	.10/2.5	.040/1.02	YELLOW
191270089	C-817-10	191270090	C-817-10T	10	.209/5.3	.385/9.8	.270/6.85	.128/3.25	.225/5.71	.560/14.22	1.046/26.57	.10/2.5	.040/1.02	YELLOW



- NOTES:
1. MATERIAL: COPPER
  2. PLATING: ELECTRO-TIN
  3. MWID = MAXIMUM WIRE INSULATION DIAMETER
  4. PART IS RoHS COMPLIANT

THIS DRAWING CONTAINS INFORMATION THAT IS PROPRIETARY TO MOLEX ELECTRONIC TECHNOLOGIES, LLC AND SHOULD NOT BE USED WITHOUT WRITTEN PERMISSION

DIMENSION UNITS	SCALE	CURRENT REV DESC: RMV OBSO P/N'S: 191270083 & 191270084. "L" MAX DIM: 1.046 WAS 1.026	<b>molex</b>		
IN/MM	4:1	EC NO: 632669			
GENERAL TOLERANCES (UNLESS SPECIFIED)			PRODUCT CUSTOMER DRAWING		
4 PLACES	±	±	DRWN: DMYRICK	2020/01/21	DOCUMENT NUMBER
3 PLACES	±	± 0.005	CHK'D: JMACNEIL	2020/02/24	
2 PLACES	±	± 0.13	APPR: JMACNEIL	2020/02/24	DOC PART
1 PLACE	±	± 0.25	INITIAL REVISION:		REVISION
0 PLACES	±	±	DRWN: DLM	2003/08/25	SD-19127-003
ANGULAR TOL	±	± 0.5°	APPR: RWD	2003/08/25	PSD
DRAFT WHERE APPLICABLE MUST REMAIN WITHIN DIMENSIONS	THIRD ANGLE PROJECTION	DRAWING	SERIES	MATERIAL NUMBER	CUSTOMER
		B-SIZE	19127	SEE TABLE	GENERAL MARKET
					SHEET NUMBER
					1 OF 1