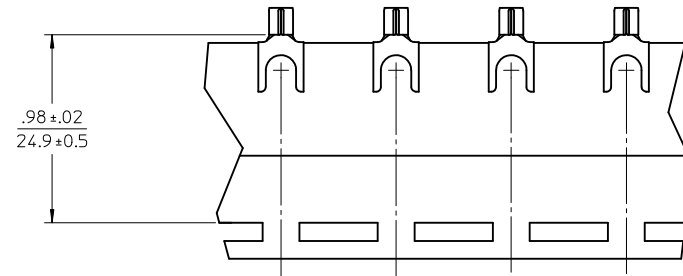
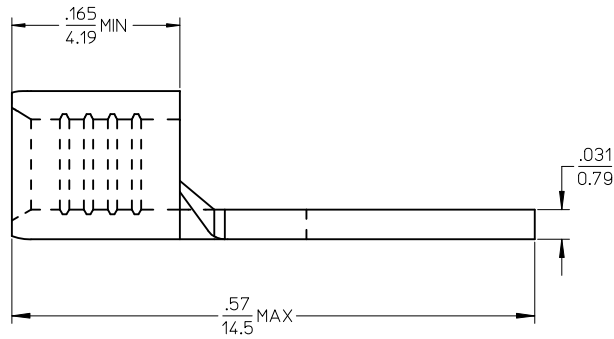
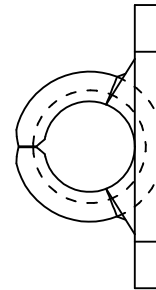
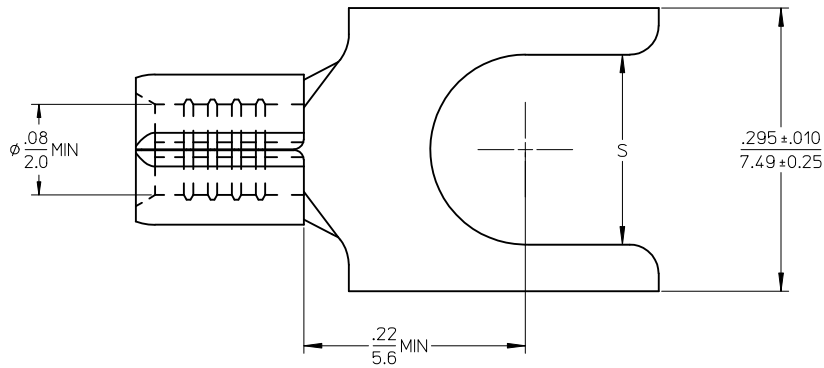


MATERIAL NO.	ENGINEERING NO.	STUD SIZE	DIMENSION S ±.005/0.13	PACKAGING
191290024	BB-1781-06	6	.146/3.71	LOOSE PIECE
191290022	BB-1781-08	8	.173/4.39	LOOSE PIECE
191290020	BB-1781-10	10	.198/5.03	LOOSE PIECE
191290021	BB-1781-08 T	8	.173/4.39	TAPE MOUNTED



PARTS ON TAPE

SALES DRAWING

NOTES:
 1) MATERIAL: MATTE TIN-PLATED COPPER
 2) PARTS ARE ROHS COMPLIANT.

RELEASED EC NO: MNA2011-0458 DRW: ETHRODAHL 2011/04/13 CHKD: JMACNEIL 2011/04/13 APPR: JMACNEIL 2011/07/05	QUALITY SYMBOLS	GENERAL TOLERANCES (UNLESS SPECIFIED)	DIMENSION STYLE	SCALE	DESIGN UNITS	THIRD ANGLE PROJECTION																																				
	$\nabla=0$ $\nabla=0$	<table border="1"> <thead> <tr> <th></th> <th>mm</th> <th>INCH</th> </tr> </thead> <tbody> <tr> <td>4 PLACES</td> <td>± .005</td> <td>± .0005</td> </tr> <tr> <td>3 PLACES</td> <td>± .005</td> <td>± .0005</td> </tr> <tr> <td>2 PLACES</td> <td>± 0.13</td> <td>± .01</td> </tr> <tr> <td>1 PLACE</td> <td>± 0.25</td> <td>± .01</td> </tr> </tbody> </table>		mm	INCH	4 PLACES	± .005	± .0005	3 PLACES	± .005	± .0005	2 PLACES	± 0.13	± .01	1 PLACE	± 0.25	± .01	<table border="1"> <thead> <tr> <th>mm</th> <th>INCH</th> </tr> </thead> <tbody> <tr> <td>± .005</td> <td>± .0005</td> </tr> <tr> <td>± 0.13</td> <td>± .01</td> </tr> <tr> <td>± 0.25</td> <td>± .01</td> </tr> </tbody> </table>	mm	INCH	± .005	± .0005	± 0.13	± .01	± 0.25	± .01	<table border="1"> <thead> <tr> <th>DRAWN BY</th> <th>DATE</th> </tr> </thead> <tbody> <tr> <td>ETHRODAHL</td> <td>2011/04/13</td> </tr> <tr> <th>CHECKED BY</th> <th>DATE</th> </tr> <tr> <td>JMACNEIL</td> <td>2011/04/13</td> </tr> <tr> <th>APPROVED BY</th> <th>DATE</th> </tr> <tr> <td>JMACNEIL</td> <td>2011/07/05</td> </tr> </tbody> </table>	DRAWN BY	DATE	ETHRODAHL	2011/04/13	CHECKED BY	DATE	JMACNEIL	2011/04/13	APPROVED BY	DATE	JMACNEIL	2011/07/05	10:1	INCH	
		mm	INCH																																							
	4 PLACES	± .005	± .0005																																							
3 PLACES	± .005	± .0005																																								
2 PLACES	± 0.13	± .01																																								
1 PLACE	± 0.25	± .01																																								
mm	INCH																																									
± .005	± .0005																																									
± 0.13	± .01																																									
± 0.25	± .01																																									
DRAWN BY	DATE																																									
ETHRODAHL	2011/04/13																																									
CHECKED BY	DATE																																									
JMACNEIL	2011/04/13																																									
APPROVED BY	DATE																																									
JMACNEIL	2011/07/05																																									
REV A	DESCRIPTION	DRAFT WHERE APPLICABLE MUST REMAIN WITHIN DIMENSIONS	SEE CHART THIS DRAWING CONTAINS INFORMATION THAT IS PROPRIETARY TO MOLEX INCORPORATED AND SHOULD NOT BE USED WITHOUT WRITTEN PERMISSION		TITLE SPADE TONGUE TERMINAL (BLOCK), 16-14 AWG, KRIMPTITE MOLEX INCORPORATED DOCUMENT NO. SD-19129-003	SHEET NO. 1 OF 1																																				