

Distributed by:

JAMECO[®]
ELECTRONICS

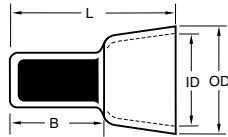
www.Jameco.com ♦ 1-800-831-4242

The content and copyrights of the attached
material are the property of its owner.

Jameco Part Number 454678

Molex Nylon Closed-End Connectors feature 2-piece construction. A translucent nylon-molded insulation is adhered to the metal connector insert. The connector's insert is annealed, Tin-plated, seamless, pure electrolytic, tough pitch Copper. Individual design and performance requirements dictate the use of Copper inserts. These connectors are all rated for a maximum of 600V.

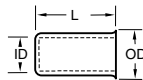
Nylon-Insulated, Closed-End Connectors							
Wire Range AWG (mm ²)	Loose Piece Order No.	Mylar Tape Order No.	Outside Diameter OD	Overall Length L	Barrel Length B	Inside Diameter ID	Circular Mil Area
14-22 (2.00-0.35)	19160-0012	19160-0070	7.80 (.310)	19.81 (.780)	10.92 (.430)	6.60 (.260)	600-5180
12-22 (3.30-0.35)	19160-0009	19160-0071	8.90 (.350)	21.84 (.860)	9.40 (.370)	7.10 (.280)	600-8230
10-16 (5.00-1.30)	19160-0002	19160-0083	11.20 (.440)	22.86 (.900)	11.68 (.460)	9.60 (.380)	2200-13,100
8 (8.50)	19160-0024	19160-0028	14.20 (.560)	27.70 (1.090)	10.90 (.430)	12.70 (.500)	13,100-20,800



MATERIAL: COPPER

CONNECTOR INSERTS

Molex Connector Inserts are the same annealed, Tin-plated, seamless pieces used in the nylon-insulated, closed-end connectors above. These inserts are used in applications where insulation is not essential.

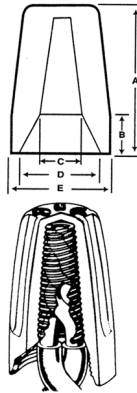


MATERIAL: COPPER

Connector Inserts					
Wire Range AWG (mm ²)	Order No.	Outside Diameter OD	Overall Length L	Inside Diameter ID	Circular Mil Area
14-22 (2.00-0.35)	19160-0025	3.61 (.142)	7.92 (.314)	2.29 (.090)	600-5180
12-22 (3.30-0.35)	19160-0022	4.22 (.166)	8.05 (.317)	2.64 (.104)	600-8230
10-16 (5.00-1.30)	19160-0014	5.56 (.219)	7.47 (.294)	3.84 (.151)	2200-13,100
8 (8.50)	19160-0029	7.67 (.302)	11.05 (.435)	5.59 (.220)	13,100-20,800

TWIST LOCK WIRE CONNECTORS

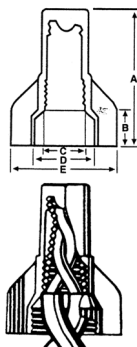
A cone shaped, plated Steel spring conforms to the inside contour of the insulating shell, which supports the spring as the conductor is driven up into the cone. Requiring no pretwisting, the wires are automatically twisted together for a secure connection and maximum contact. Fixed spring wire connectors may be used to make branch circuit or fixture wire connections on numerous combinations of solid and/or stranded wire.



Twist Lock Wire Connectors								
Order No.	Copper Wire Only			Dimension				
	Wire Range AWG	Minimum	Maximum	A	B	C	D	E
19160-0039	16-22 (1.30-0.35)	1 #22 w 1 #20	2 #16	37/64	11/64	1/8	1/4	21/64
19160-0040	16-22 (1.30-0.35)	3 #22	3 #16	45/64	11/64	3/16	5/16	25/64
19160-0041	14-22 (2.00-0.35)	3 #20	4 #16 w/ 1 #20	27/32	21/64	13/64	11/32	7/16
19160-0042	10-18 (5.00-0.80)	1 #14 w/ 1 #18	4 #14	15/16	17/64	15/64	7/16	35/64
19160-0043	10-18 (5.00-0.80)	2 #14	2 #10 w/ 2 #12	1-1/16	17/64	21/64	17/32	21/32

WING LOCK WIRE CONNECTORS

A square wire, coiled spring expands freely within the tough plastic shell and can accommodate a wide range of wire combinations. The angled edges of the spring attach to the conductor as the connector is twisted on for an easily secured joint. The spring applies even pressure over the entire contact area and provides a low resistance connection and mechanical strength against pull and vibration.

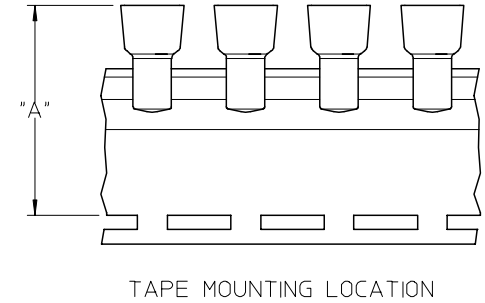
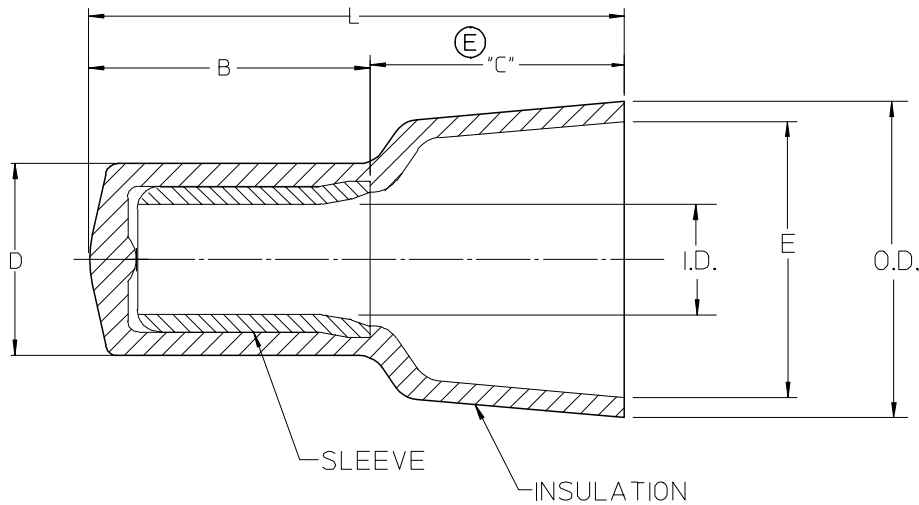


Wing Lock Wire Connectors									
Order No.	Copper Wire Only			Dimension					
	Wire Range AWG	Min.	Max.	A	B	C	D	E	F
19160-0044	10-22 (5.00-0.35)	2 #18	3 #12	1-1/32	5/16	7/32	1/4	23/32	N/A
19160-0045	10-18 (5.00-0.80)	2 #14	5 #12	1-1/4	5/16	9/32	7/16	29/32	N/A
19160-0046	6-22 (13.50-0.35)	3 #22	4 #12 w/ 2 #18	47/64	9/16	5/16	21/64	1-5/32	5/16
19160-0047	6-14 (13.50-2.00)	1 #10 w/ 1 #12	1 #6 w/ 2 #8STR	1-1/2	7/16	3/8	3/4	1-1/4	N/A

Order #19160-0046 only.

Molex connectors must withstand extreme dielectric voltage tests to determine performance. All connectors are UL listed and CSA certified as Pressure-Type wire connectors for 600V max., building wire; 1000V max., signs or fixtures and comply with Federal Specification W-S-610d. Temperature rating 105°C (221°F) max.

10		9		8		7		6		5		4		3		2		19160	
LOOSE PIECE		TAPE MOUNTED				STANDARD BAG 100 PCS	ENGINEERING NUMBER	"L" MAX.	"B" ±.010/0.25	"D" MAX.	"E" MIN.	I.D. MIN.	O.D. MAX.	"A" DIM ±.015/0.38	ⓔ "C" REF				
MATERIAL NO.	ENG. NO.	MATERIAL NO.	ENG. NO.	MATERIAL NO.	ENG. NO.														
191600012	NC-2214	191600070	NC-2214T	191600171	NC-2214STD100		.61/15.5	.43/10.9	.19/4.8	.24/6.1	.09/2.3	.32/8.1	1.543/39.19	.180/4.57					
191600009	NC-2212	191600071	NC-2212T	191600170	NC-2212STD100		.86/21.8	.37/9.4	.23/5.8	.27/6.9	.10/2.5	.36/9.1	1.631/41.43	.490/12.45					
191600002	NC-1610	191600083	NC-1610T	191600169	NC-1610STD100		.90/22.8	.39/9.9	.28/7.1	.38/9.6	.14/3.6	.45/11.4	1.750/44.45	.510/12.95					
191600024	NC-8	191600028	NC-8T	N/A	N/A		1.09/27.7	.43/10.9	.36/9.1	.48/12.2	.21/5.3	.57/14.5	1.864/47.35	.660/16.76					



SALES DRAWING

NOTES:

- MATERIAL: SLEEVE: TIN PLATED COPPER
INSULATION: 6/6 NYLON
COLOR: NATURAL, TRANSLUCENT

ADDED DIM °C* EC NO: ETC2005-0109 DRWN: BENDERLEZ2005/01/06 CHKD: R. DEROSS2005/01/06 APPR: RDEROSS.2005/01/07	QUALITY SYMBOLS ▽ = 0 ◁ = 0	GENERAL TOLERANCES (UNLESS SPECIFIED)		SCALE 5:1	DESIGN UNITS INCH	THIRD ANGLE PROJECTION	REVISE ON CAD ONLY	
				DIMENSION STYLE IN/MM		TITLE		
		4 PLACES ± --- ± ---	3 PLACES ± --- ± ---	DRAWN BY H.BEITZE	DATE 04/02/23	CLOSED END CONNECTORS NYLON INSULATED MOLEX INCORPORATED		
		2 PLACES ± --- ± ---	1 PLACE ± --- ± ---	CHECKED BY R.DEROSS	DATE 04/02/23			
ANGULAR ±1/2°		DRAFT WHERE APPLICABLE		APPROVED BY R.DEROSS	DATE 04/02/23	MATERIAL NO. SEE CHART	DOCUMENT NO. SD-19160-001	SHEET NO. 1 OF 1
MUST REMAIN WITHIN DIMENSIONS		THIS DRAWING CONTAINS INFORMATION THAT IS PROPRIETARY TO MOLEX INCORPORATED AND SHOULD NOT BE USED WITHOUT WRITTEN PERMISSION						