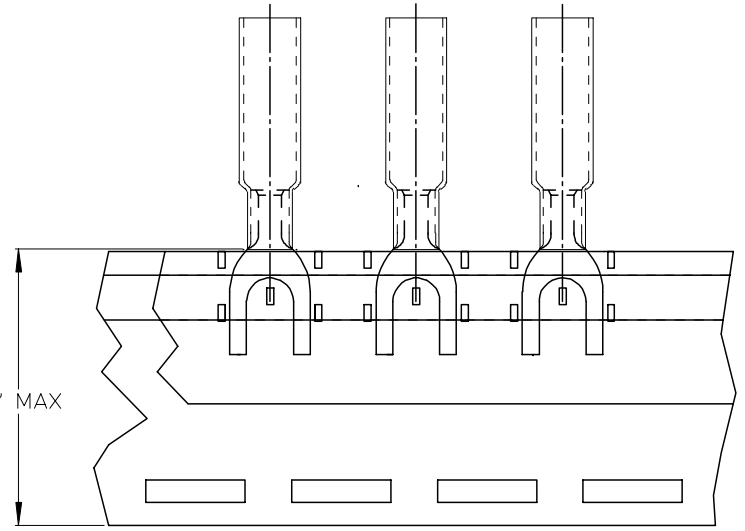
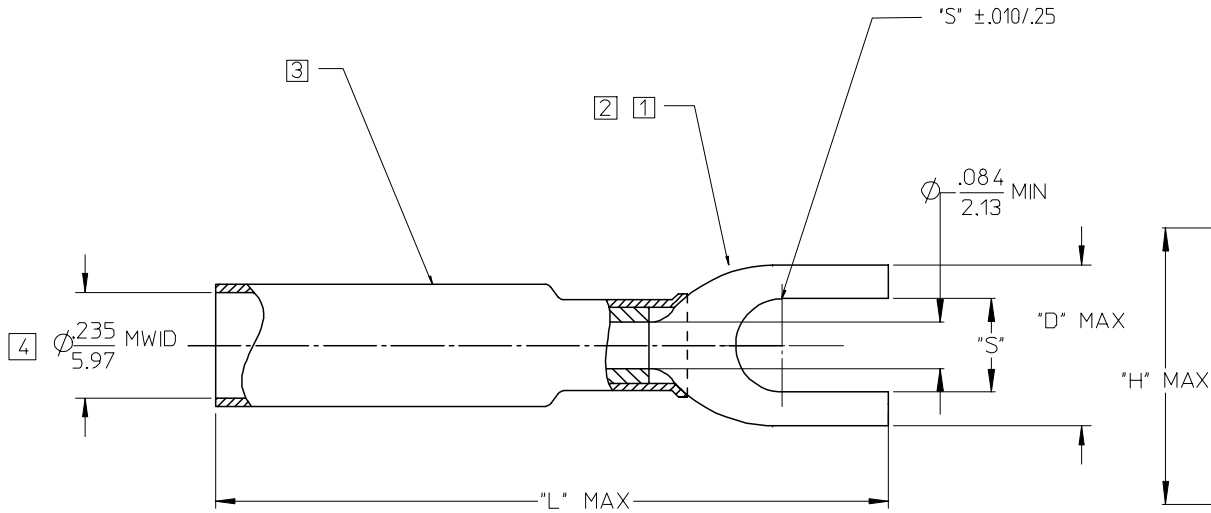


MATERIAL NUMBER LOOSE PC.	ENGINEERING NUMBER LOOSE PC.	MATERIAL NUMBER ON TAPE	ENGINEERING NUMBER ON TAPE	STUD SIZE	STUD HOLE SIZE "S" ±.005/.13	"D"	"H"	"L"
191640028	SB-227-06	191640948	SB-227-06T	#06	∅.146/3.71	.37/9.4	.990/25.15	1.42/36.1
191640029	SB-227-08	191640949	SB-227-08T	#08	∅.173/4.39	.40/10.2	.990/25.15	1.42/36.1
191640030	SB-227-10	191640950	SB-227-10T	#10	∅.198/5.03	.40/10.2	.990/25.15	1.42/36.1



- NOTES:
 [1] TERMINAL MATERIAL: COPPER ALLOY .031/0.79 THK.
 [2] FINISH: ELECTRO TIN PLATE.
 [3] INSULATION MATERIAL: PERMA-SEAL SHRINKABLE TUBING WITH HOT-MELT ADHESIVE INNER LINER. COLOR: BLUE.
 [4] MWD = MAXIMUM WIRE INSULATION DIAMETER.

PROPOSED EC NO: DRWNL: SHADECK 2005/06/28 CHKDR: DEROSS 2005/07/21 APPR: JPAWLICK 2005/07/21	QUALITY SYMBOLS	GENERAL TOLERANCES (UNLESS SPECIFIED)	DIMENSION STYLE	SCALE	DESIGN UNITS	THIRD ANGLE PROJECTION															
	$\nabla = 0$ $\nabla = 0$	<table border="1"> <thead> <tr> <th></th> <th>mm</th> <th>INCH</th> </tr> </thead> <tbody> <tr> <td>4 PLACES</td> <td>± ---</td> <td>± ---</td> </tr> <tr> <td>3 PLACES</td> <td>± ---</td> <td>± ---</td> </tr> <tr> <td>2 PLACES</td> <td>± ---</td> <td>± ---</td> </tr> <tr> <td>1 PLACE</td> <td>± ---</td> <td>± ---</td> </tr> </tbody> </table>		mm	INCH	4 PLACES	± ---	± ---	3 PLACES	± ---	± ---	2 PLACES	± ---	± ---	1 PLACE	± ---	± ---	IN/MM	4:1	INCH	
		mm	INCH																		
	4 PLACES	± ---	± ---																		
3 PLACES	± ---	± ---																			
2 PLACES	± ---	± ---																			
1 PLACE	± ---	± ---																			
	ANGULAR ± .5 °	DRAWN BY: BE DATE: 02/09/03 CHECKED BY: HB DATE: 02/09/03 APPROVED BY: RD DATE: 02/09/03	TITLE	PERMA-SEAL TERMINAL SPADE TERMINAL 16-14 AWG TAPE MOUNTED																	
	DRAFT WHERE APPLICABLE MUST REMAIN WITHIN DIMENSIONS	MATERIAL NO. SEE CHART	MOLEX INCORPORATED DOCUMENT NO. SD-19164-027		SHEET NO. 1 OF 1																