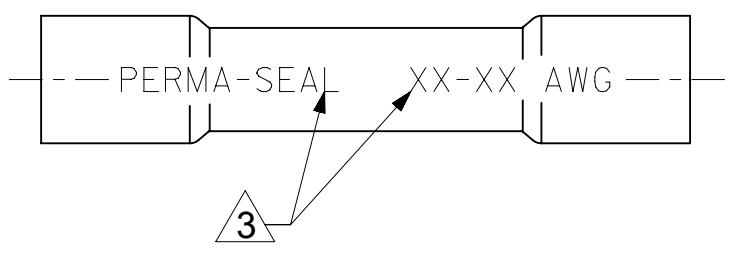
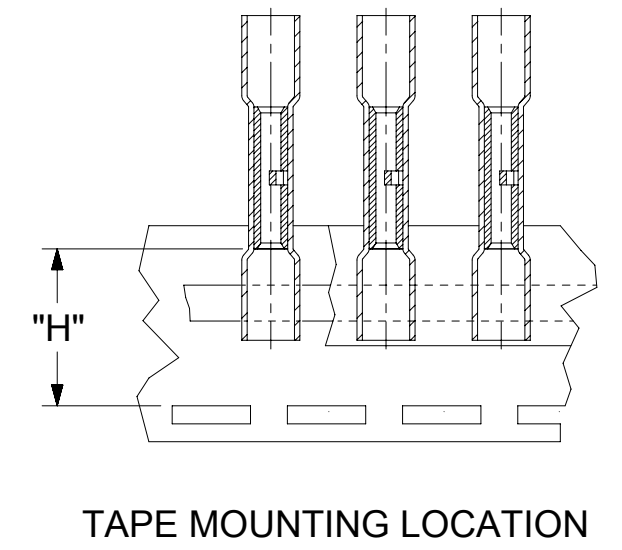
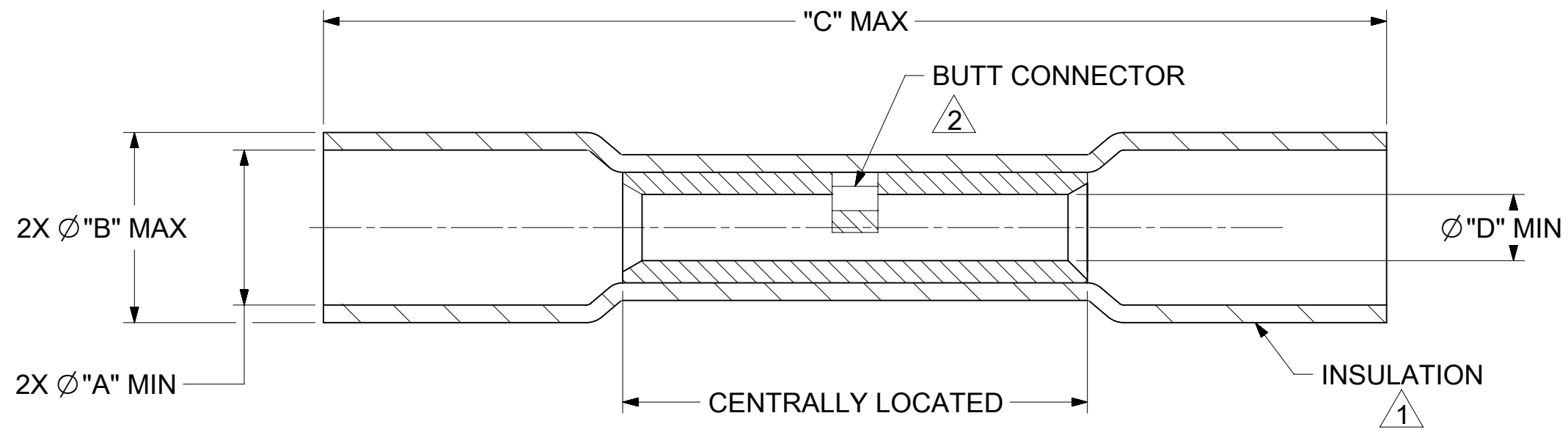


MAT'L NO.	ENG NO.	MAT'L NO. TAPE MOUNT	ENG NO. TAPE MOUNT	PERMA-SEAL COLOR	WIRE AWG	"A" MIN	"B" Ø MAX	"C" MAX	"H" ± .010 (0.25)	"D" MIN
191640013	SAA-22-18	191640014	SAA-22-18T	RED	22 - 18	.185 (4.70)	.280 (7.11)	1.55 (39.4)	.767 (19.48)	.059 (1.50)
191640044	SBB-16-14	191640045	SBB-16-14T	BLUE	16 - 14	.195 (4.95)	.308 (7.82)	1.55 (39.4)	.775 (19.69) F1	.091 (2.31)
191640056	SC-12-10	191640057	SC-12-10T	YELLOW	12 - 10	.275 (6.99)	.383 (9.73)	1.80 (45.7)	.800 (23.32)	.139 (3.53)
191640079	SD-354	----	----	RED	8	.300 (7.62)	.448 (11.38)	2.05 (52.4)	----	.165 (4.19)



- NOTE(S):
- 1 INSULATION MATERIAL: HEAT SHRINKABLE TUBING WITH HOTMELT INNER LINER. (SEE CHART FOR COLOR).
 - 2 SEAMLESS TIN PLATED COPPER TERMINAL.
 - 3 PRINTED TEXT IN BLACK APPROX. .12(3.0) HIGH
 - 4. PARTS ARE RoHS COMPLIANT.

THIS DRAWING CONTAINS INFORMATION THAT IS PROPRIETARY TO MOLEX ELECTRONIC TECHNOLOGIES, LLC AND SHOULD NOT BE USED WITHOUT WRITTEN PERMISSION											
FUNCTIONAL SYMBOLS	DIMENSION UNITS	SCALE	CURRENT REV DESC: CRIMP HT "H" DIM: .775 WAS .727								
	INCH/MM	1:1	molex PERMA-SEAL NIAC BUTT CONNECTORS PRODUCT CUSTOMER DRAWING								
GENERAL TOLERANCES (UNLESS SPECIFIED)		MM									
4 PLACES ±		±		±		DRWN: DMYRICK		2020/04/01		SD-19164-017	
3 PLACES ±		±		±		CHK'D: JMACNEIL		2020/04/01		PSD 001 F1	
2 PLACES ±		±		±		APPR: JMACNEIL		2020/04/01		REVISION	
1 PLACE ±		±		±		INITIAL REVISION:		2020/04/02		MATERIAL NUMBER	
0 PLACES ±		±		±		DRWN: BENDERLE		2020/04/03		CUSTOMER	
ANGULAR TOL ± °		± °		± °		APPR: RDEROSS		2020/04/03		SHEET NUMBER	
DRAFT WHERE APPLICABLE MUST REMAIN WITHIN DIMENSIONS			THIRD ANGLE PROJECTION		DRAWING		SERIES		SEE CHART		
			B-SIZE		19164		GENERAL MARKET		1 OF 1		