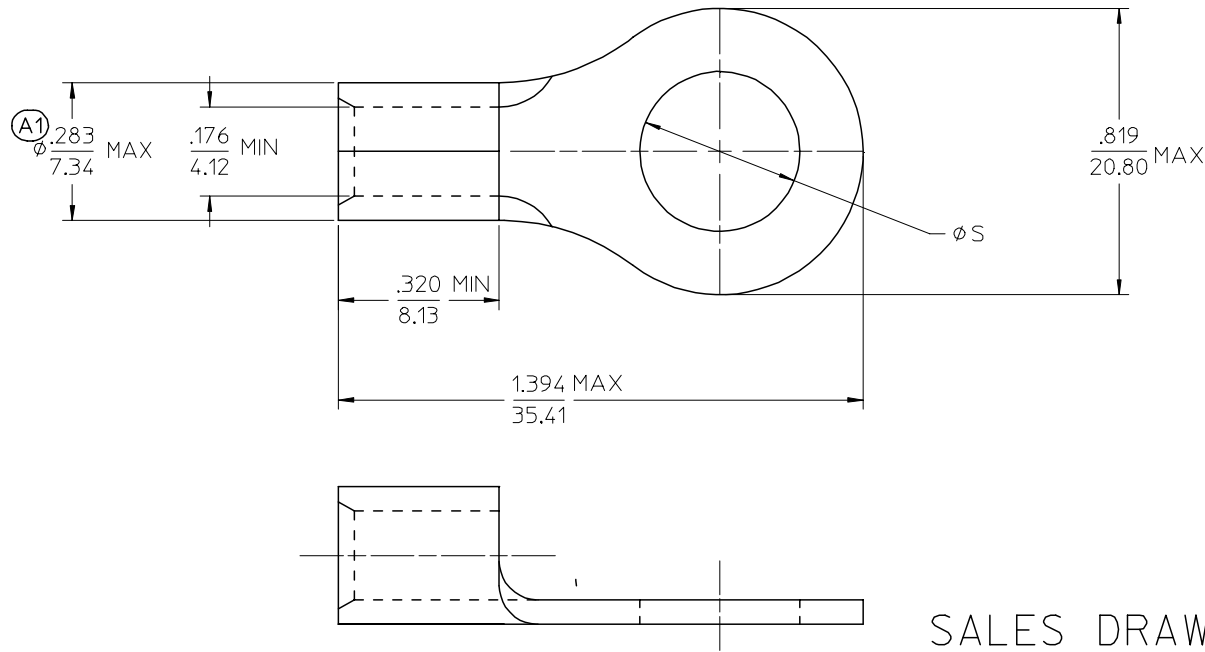
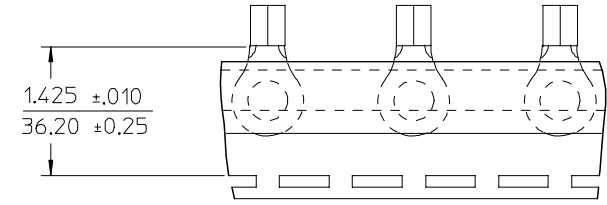


MATERIAL NUMBER	ENGINEERING NUMBER	STUD SIZE	C ±.005/±0.13	PACKAGING
191930178	D-352-10	10	.198/5.03	LOOSE PIECE
191930182	D-352-14	1/4	.256/6.50	
191930185	D-352-56	5/16	.328/8.33	
191930184	D-352-38	3/8	.390/9.91	
191930187	D-352-76	7/16	.453/11.51	
191930179	D-352-12	1/2	.515/13.08	TAPE MOUNTED
191930186	D-352-58	5/8	.656/16.66	
191930189	D-352-76T	7/16	.453/11.51	TAPE MOUNTED
191930181	D-352-12T	1/2	.515/13.08	



SALES DRAWING

- NOTES:
- MATERIAL: COPPER .050/1.27 THK (REF).
PLATING: ELECTROPLATE TIN
 - ALL DIMENSIONS IN INCHES/(MM).
 - BRAZED SEAM.
 - TERMINAL INDICATED MUST MEET MS/AS-20659 TYPE 2 REQUIREMENTS.

TYPED ON OD EC NO: ETC2005-0145 DRWN: BENDERLE 2005/02/16 CHKD: JPANLICKI 2005/02/16 APPR: JPANLICKI 2005/02/16	QUALITY SYMBOLS	GENERAL TOLERANCES (UNLESS SPECIFIED)	DIMENSION STYLE IN/MM	SCALE 1:1	DESIGN UNITS INCH	THIRD ANGLE PROJECTION
	▼=0 ▽=0	4 PLACES ± --- ± --- 3 PLACES ± --- ± --- 2 PLACES ± --- ± --- 1 PLACE ± --- ± --- ANGULAR ± ---°	DRAWN BY DATE BENDERLE 2005/02/03 CHECKED BY DATE R DEROSS 2005/02/03 APPROVED BY DATE R DEROSS 2005/02/03	TITLE RING TONGUE TERMINAL VERSAKRIMP		
	DRAFT WHERE APPLICABLE MUST REMAIN WITHIN DIMENSIONS	MATERIAL NO. SEE CHART	MOLEX INCORPORATED DOCUMENT NO. SD-19193-036		SHEET NO. 1 OF 1	
	REV A1	SIZE B	THIS DRAWING CONTAINS INFORMATION THAT IS PROPRIETARY TO MOLEX INCORPORATED AND SHOULD NOT BE USED WITHOUT WRITTEN PERMISSION			