

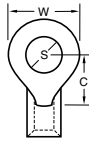
Distributed by:

JAMECO[®]
ELECTRONICS

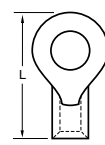
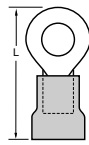
www.Jameco.com ♦ 1-800-831-4242

The content and copyrights of the attached
material are the property of its owner.

Jameco Part Number 795173



Material: Copper

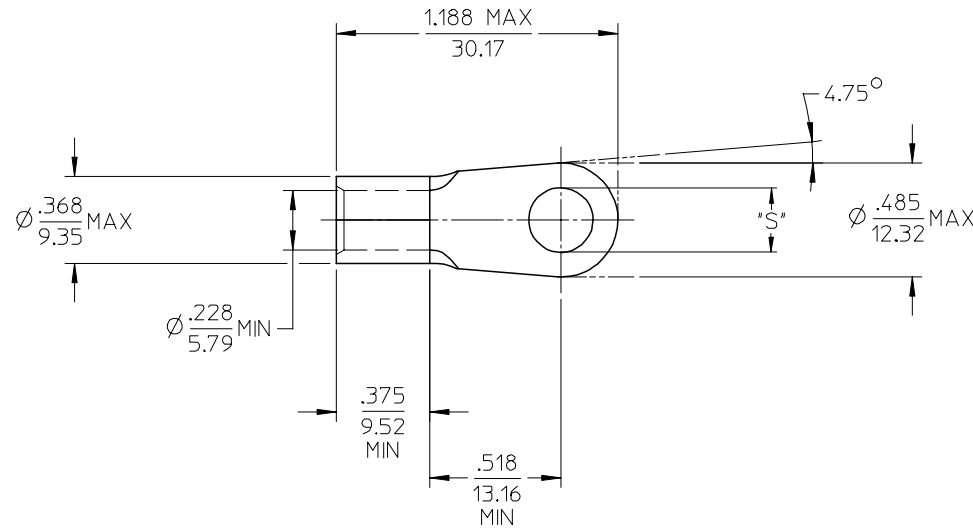
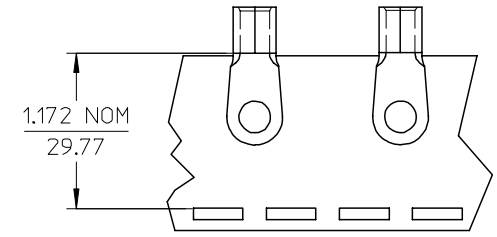


Insulkrimp®
(PVC Insulation)

Versakrimp™

Wire Range AWG	Stud Size S	Maximum Width W	Minimum Clearance C	Loose Piece Order No.	Mylar Tape Order No.	Maximum Length L	Loose Piece Order No.	Mylar Tape Order No.	Maximum Length L
8	6 (3.5)	9.90 (.389)	9.40 (.368)	19071-0176	19071-0177	31.80 (1.252)	19193-0198	19193-0199	23.80 (.937)
	8 (4)	12.30 (.483)	9.40 (.368)	19071-0134	19071-0135	33.00 (1.299)	19193-0146	19193-0148	25.00 (.984)
		9.90 (.389)	9.40 (.368)	19071-0178	19071-0179	31.80 (1.252)	19193-0200	19193-0201	23.80 (.937)
	10 (-)	12.30 (.483)	9.40 (.368)	19071-0136	19071-0139	33.00 (1.299)	19193-0149	19193-0151	25.00 (.984)
		15.30 (.603)	11.00 (.433)	19071-0146	19071-0147	36.10 (1.421)	19193-0159	19193-0162	28.10 (1.106)
		9.90 (.389)	9.40 (.368)	19071-0180	19071-0181	31.80 (1.252)	19193-0202	19193-0203	23.80 (.937)
	1/4 (6)	12.30 (.483)	9.40 (.368)	19071-0140	19071-0143	33.00 (1.299)	19193-0152	19193-0155	28.10 (1.106)
		15.30 (.603)	11.00 (.433)	19071-0148	19071-0149	36.10 (1.421)	19193-0163	19193-0166	28.10 (1.106)
		9.90 (.389)	9.40 (.368)	19071-0182	19071-0184	31.80 (1.252)	19193-0204	19193-0205	23.80 (.937)
	5/16 (8)	12.30 (.483)	9.40 (.368)	19071-0144	19071-0145	33.00 (1.299)	19193-0157	19193-0158	25.00 (.984)
		15.30 (.603)	11.00 (.433)	19071-0153	19071-0155	36.10 (1.421)	19193-0171	19193-0174	28.10 (1.106)
	3/8 (9)	15.30 (.603)	11.00 (.433)	19071-0150	19071-0152	36.10 (1.421)	19193-0167	19193-0170	28.10 (1.106)
		21.00 (.825)	15.60 (.616)	19071-0162		42.60 (1.718)	19193-0184		35.60 (1.403)
	7/16 (11)	21.00 (.825)	15.60 (.616)	19071-0166		42.60 (1.718)	19193-0187	19193-0189	35.60 (1.403)
	1/2 (12)	21.00 (.825)	15.60 (.616)	19071-0334	19071-0160	42.60 (1.718)	19193-0179	19193-0181	35.60 (1.403)
5/8 (16)	21.00 (.825)	15.60 (.616)	19071-0164	19071-0165	42.60 (1.718)	19193-0186		35.60 (1.403)	
	29.00 (1.140)	25.20 (.993)	19071-0173		57.20 (2.253)	19193-0195		49.20 (1.938)	
3/4 (18)	29.00 (1.140)	25.20 (.993)				19193-0192		49.20 (1.938)	
6	8 (4)	12.30 (.485)	13.20 (.518)	19071-0218	19071-0219	40.50 (1.593)	19193-0243	19193-0244	30.20 (1.188)
	10 (-)	16.40 (.645)	13.20 (.518)	19071-0188	19071-0189	42.50 (1.673)	19193-0209	19193-0211	32.20 (1.268)
		12.30 (.485)	13.20 (.518)	19071-0221	19071-0223	40.50 (1.593)	19193-0245	19193-0247	30.20 (1.188)
	1/4 (6)	16.40 (.645)	13.20 (.518)	19071-0190	19071-0192	42.50 (1.673)	19193-0212	19193-0215	32.20 (1.268)
		21.30 (.837)	15.50 (.610)				19193-0229		37.00 (1.456)
	5/16 (8)	12.30 (.485)	13.20 (.518)	19071-0225	19071-0227	40.50 (1.593)	19193-0248	19193-0250	30.20 (1.188)
		16.40 (.645)	13.20 (.518)	19071-0196	19071-0198	42.50 (1.673)	19193-0219	19193-0222	32.20 (1.268)
	3/8 (9)	12.30 (.485)	13.20 (.518)	19071-0229	19071-0230	40.50 (1.593)	19193-0251	19193-0253	30.20 (1.188)
		16.40 (.645)	13.20 (.518)	19071-0193	19071-0195	42.50 (1.673)	19193-0216	19193-0218	32.20 (1.268)
	7/16 (11)	21.30 (.837)	15.50 (.610)				19193-0230	19193-0231	37.00 (1.456)
		21.30 (.837)	15.50 (.610)	19071-0208		47.30 (1.861)	19193-0234		37.00 (1.456)
	1/2 (12)	21.30 (.837)	15.50 (.610)	19071-0201		47.30 (1.861)	19193-0226	19193-0228	37.00 (1.456)
	5/8 (16)	21.30 (.837)	15.50 (.610)				19193-0233		37.00 (1.456)
	3/4 (18)	28.90 (1.136)	25.20 (.991)				19193-0238		50.60 (1.991)
	4	10 (-)	17.30 (.680)	13.40 (.527)	19071-0231		46.70 (1.840)	19193-0254	19193-0257
12.40 (.490)			13.40 (.527)	19071-0250	19071-0252	44.30 (1.744)	19193-0273	19193-0274	32.00 (1.261)
1/4 (6)		17.30 (.680)	13.40 (.527)	19071-0237		46.70 (1.840)	19193-0261	19193-0263	34.50 (1.357)
		12.40 (.490)	13.40 (.527)	19071-0253	19071-0254	44.30 (1.744)	19193-0275	19193-0277	32.00 (1.261)
5/16 (8)		17.30 (.680)	13.40 (.527)	19071-0243	19071-0246	46.70 (1.840)	19193-0267	19193-0269	34.50 (1.357)
		12.40 (.490)	13.40 (.527)				19193-0278	19193-0280	33.00 (1.261)
3/8 (9)		17.30 (.680)	13.40 (.527)	19071-0240		46.70 (1.840)	19193-0264	19193-0266	34.50 (1.357)
		22.90 (.900)	25.30 (.996)				19193-0283		49.10 (1.935)
1/2 (12)		17.30 (.680)	13.40 (.527)	19071-0234		46.70 (1.840)	19193-0258	19193-0260	34.50 (1.357)
		22.90 (.900)	25.30 (.996)				19193-0281		49.10 (1.935)
5/8 (16)		22.90 (.900)	25.30 (.996)				19193-0285		49.10 (1.935)
		32.40 (1.275)	25.30 (.996)				19193-0293		53.90 (2.123)
3/4 (18)		32.40 (1.275)	25.30 (.996)				19193-0289		53.90 (2.123)

MATERIAL NO. LOOSE PIECE	ENG. NO.	MATERIAL NO. TAPE MOUNTED	ENG. NO.	STUD SIZE	±.003 *S*	STOCK THICKNESS
191930243	E-360-08	191930244	E-360-08T	8	.173	.050/(1.27) (B)
191930245	E-360-10	191930247	E-360-10T	10	.198	
191930248	E-360-14	191930250	E-360-14T	1/4	.265	
191930251	E-360-56	191930253	E-360-56T	5/16	.328	



SALES DRAWING

- NOTE(S):
1. MATERIAL: COPPER
 2. PLATING: ELECTROPLATE TIN
 3. ALL DIMENSIONS IN INCHES/(MM).
 4. WIRE SIZE: 6 AWG
16 MM²
 5. PART IS ROHS COMPLIANT. (B)

REVISED MATL THKNS EC NO: ETC2007-0011 DRW: NEHLE 2006/07/12 CHKD: JMACNEIL 2006/07/13 APPR: RDOERSS 2006/07/17	QUALITY SYMBOLS ▽=0 ▽=0	GENERAL TOLERANCES (UNLESS SPECIFIED)		DIMENSION STYLE IN/MM	SCALE 2:1	DESIGN UNITS INCH	THIRD ANGLE PROJECTION	
		4 PLACES ± --- ± ---	3 PLACES ± --- ± .005	DRAWN BY DLM	DATE 03/07/28	TITLE RING TONGUE TERMINAL VERSAKRIMP SERIES 6 AWG		
		2 PLACES ± 0.13 ± .01	1 PLACE ± 0.25 ± ---	CHECKED BY HEB	DATE 03/07/28	MOLEX INCORPORATED		
		ANGULAR ±1/2°		APPROVED BY RWD	DATE 03/07/28	MATERIAL NO. SEE CHART	DOCUMENT NO. SD-19193-032	SHEET NO. 1 OF 1
DRAFT WHERE APPLICABLE MUST REMAIN WITHIN DIMENSIONS		THIS DRAWING CONTAINS INFORMATION THAT IS PROPRIETARY TO MOLEX INCORPORATED AND SHOULD NOT BE USED WITHOUT WRITTEN PERMISSION						