

Distributed by:

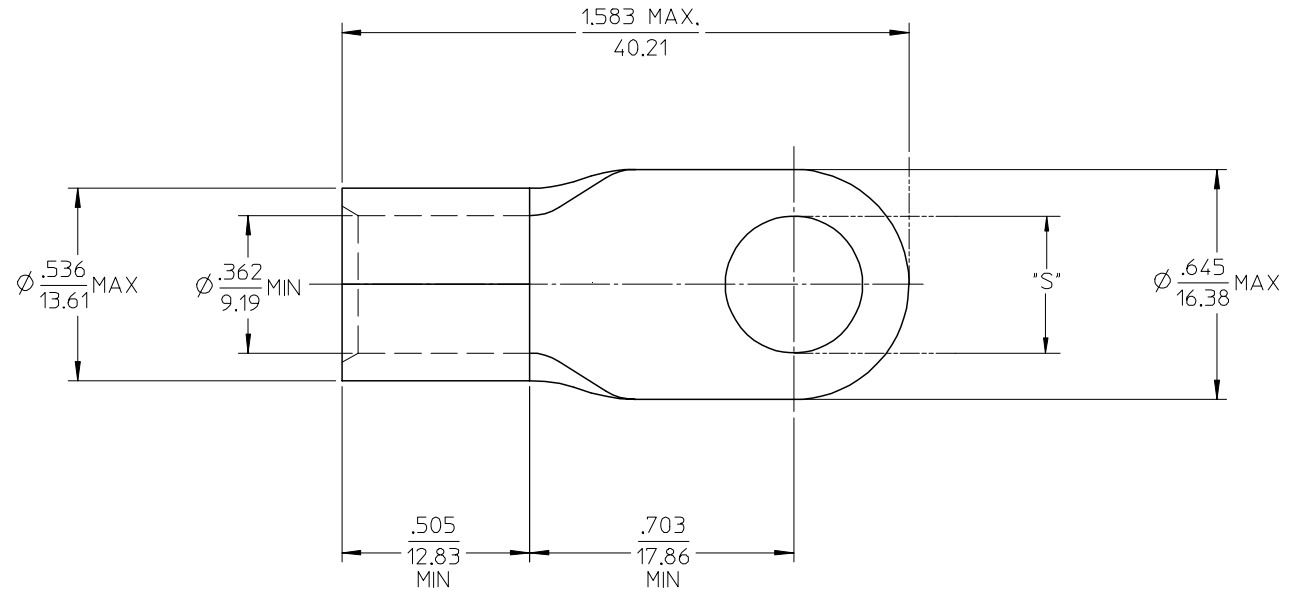
JAMECO[®]
ELECTRONICS

www.Jameco.com ♦ 1-800-831-4242

The content and copyrights of the attached
material are the property of its owner.

Jameco Part Number 1964709

MATERIAL NO. LOOSE PIECE	ENG. NO.	STUD SIZE	±.003 "S"	STOCK THICKNESS
191930303	G-375-10	10	.198	.075 (1.90)
191930305	G-375-14	1/4	.265	
191930309	G-375-56	5/16	.328	
191930307	G-375-38	3/8	.390	
191930311	G-375-76	7/16	.453	



SALES DRAWING

- NOTE(S):
1. MATERIAL: COPPER
 2. PLATING: ELECTROPLATE TIN
 3. ALL DIMENSIONS IN INCHES/(MM).
 4. WIRE SIZE: 2 AWG
35 MM²

REVISED/UPDATE TO MK STDS EC NO: ETC2003-0315 DRWN:DMYRICK 2003/08/20 CHKD:HEB 2003/08/21 APPR:RDEROSS 2003/08/21	DESCRIPTION B	QUALITY SYMBOLS	GENERAL TOLERANCES (UNLESS SPECIFIED)	SCALE 2:1	DESIGN UNITS INCH	THIRD ANGLE PROJECTION	REVISE ON CAD ONLY													
		▼ = 0 ▽ = 0	<table border="1"> <thead> <tr> <th></th> <th>mm</th> <th>INCH</th> </tr> </thead> <tbody> <tr> <td>4 PLACES</td> <td>± .---</td> <td>± .---</td> </tr> <tr> <td>3 PLACES</td> <td>± .---</td> <td>± .005</td> </tr> <tr> <td>2 PLACES</td> <td>± 0.13</td> <td>± .01</td> </tr> <tr> <td>1 PLACE</td> <td>± 0.25</td> <td>± .---</td> </tr> </tbody> </table>		mm	INCH	4 PLACES	± .---	± .---	3 PLACES	± .---	± .005	2 PLACES	± 0.13	± .01	1 PLACE	± 0.25	± .---	DIMENSION STYLE IN/MM	TITLE RING TONGUE TERMINAL VERSAKRIMP 2 AWG
			mm	INCH																
		4 PLACES	± .---	± .---																
3 PLACES	± .---	± .005																		
2 PLACES	± 0.13	± .01																		
1 PLACE	± 0.25	± .---																		
	DRAFT WHERE APPLICABLE MUST REMAIN WITHIN DIMENSIONS	DRAWN BY DLM	DATE 03/07/11	CHECKED BY HEB	DATE 03/07/11	MATERIAL NO. (SEE CHART)	DOCUMENT NO. SD-19193-028	SHEET NO. 1 OF 1												
				THIS DRAWING CONTAINS INFORMATION THAT IS PROPRIETARY TO MOLEX INCORPORATED AND SHOULD NOT BE USED WITHOUT WRITTEN PERMISSION																