

PLEASE CHECK WWW.MOLEX.COM FOR LATEST PART INFORMATION

Part Number: **0192000003**
Status: **Active**
Overview: [Splices](#)
Description: Avikrimp Seamless Butt Splice for 10-12 AWG Wire, Super Duty

Documents:

Drawing (PDF)	Product Specification PS-19902-013-001 (PDF)
Product Specification PS-19902-011-001 (PDF)	RoHS Certificate of Compliance (PDF)

Agency Certification

UL E32244

General

Product Family	Splices
Series	19200
Comments	Yellow
Crimp Quality Equipment	Yes
Overview	Splices
Product Name	Avikrimp
UPC	756054241233

Physical

Barrel Type	Closed
Color - Resin	Yellow
Flammability	94V-2
Insulation	Nylon (PA)
Material - Metal	Copper
Material - Plating Mating	Tin
Material - Plating Termination	Tin
Net Weight	4.064/g
Packaging Type	Bag
Temperature Range - Operating	105°C
Wire Insulation Diameter	5.84mm
Wire Size AWG	10, 12

Electrical

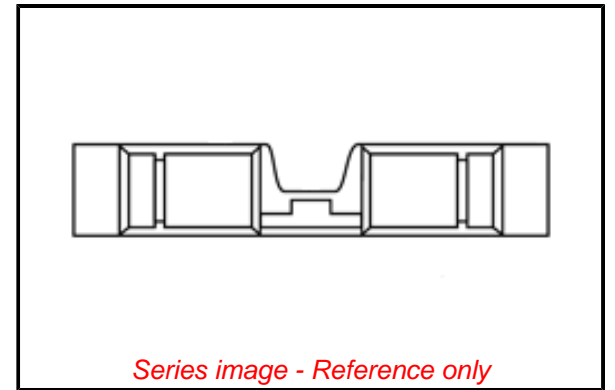
Voltage - Maximum 600V

Material Info

Engineering Number CS-846

Reference - Drawing Numbers

Product Specification	PS-19902-011-001, PS-19902-013-001
Sales Drawing	SD-19200-001



EU ELV

Not Relevant

EU RoHS

Compliant

REACH SVHC

Not Contained Per
-ED/88/2018 (15
January 2019)

Halogen-Free

Status

Low-Halogen

For more information, please visit [Contact US](#)

China ROHS

Not Relevant

ELV

Not Relevant

RoHS Phthalates

Not Contained

Search Parts in this Series

[19200 Series](#)

Application Tooling | [FAQ](#)

Tooling specifications and manuals are found by selecting the products below. Crimp Height Specifications are then contained in the Application Tooling Specification document.

Global

Description

Product #

PremiumGrade Hand	640010100
Crimp Tool	
Crimp Head for the	640050100
AT-200 Pneumatic	
Hand Tool	