

PLEASE CHECK WWW.MOLEX.COM FOR LATEST PART INFORMATION

Part Number: **0192000013**
Status: **Active**
Overview: [Splices](#)
Description: Avikrimp Seamless Butt Splice for 14-16 AWG Wire, Super Duty

Documents:

Drawing (PDF)	Packaging Specification PK-19406-001-001 (PDF)
Product Specification PS-19902-011-001 (PDF)	RoHS Certificate of Compliance (PDF)

General

Product Family	Splices
Series	19200
Comments	Blue
Crimp Quality Equipment	Yes
Overview	Splices
Product Name	Avikrimp
UPC	756054494226

Physical

Barrel Type	Closed
Color - Resin	Blue
Insulation	Nylon (PA)
Material - Metal	Copper
Material - Plating Mating	Tin
Material - Plating Termination	Tin
Net Weight	736.000/g
Packaging Type	Bag
Temperature Range - Operating	105°C
Wire Insulation Diameter	4.29mm
Wire Size AWG	14, 16

Electrical

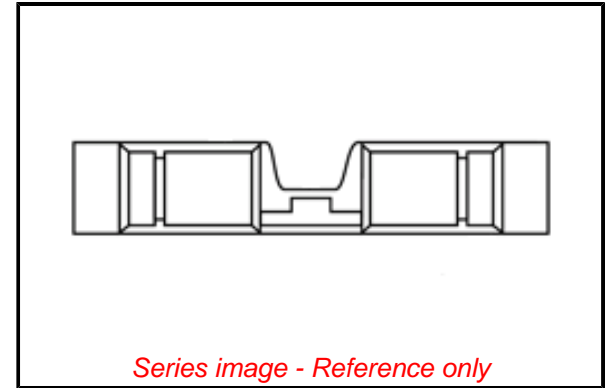
Voltage - Maximum	600V
-------------------	------

Material Info

Engineering Number	BS-831 BAG100
--------------------	---------------

Reference - Drawing Numbers

Packaging Specification	PK-19406-001-001
Product Specification	PS-19902-011-001
Sales Drawing	SD-19200-001



EU ELV

Not Relevant

EU RoHS

Compliant

REACH SVHC

Not Contained Per -
ED/108/2014 (17 Dec
2014)

Halogen-Free

Status

Low-Halogen

For more information, please visit [Contact US](#)

China ROHS

Not Relevant

ELV

Not Relevant

RoHS Phthalates

Not Contained

Search Parts in this Series

[19200 Series](#)