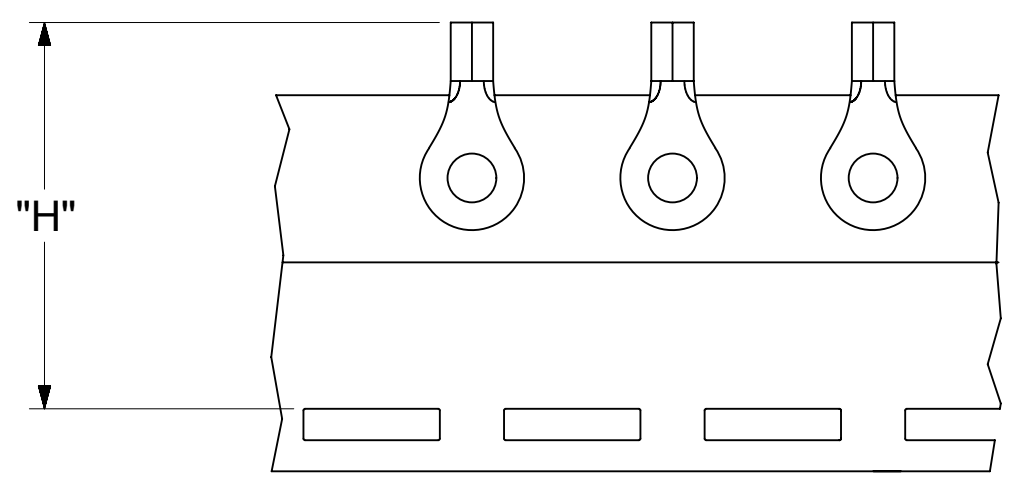
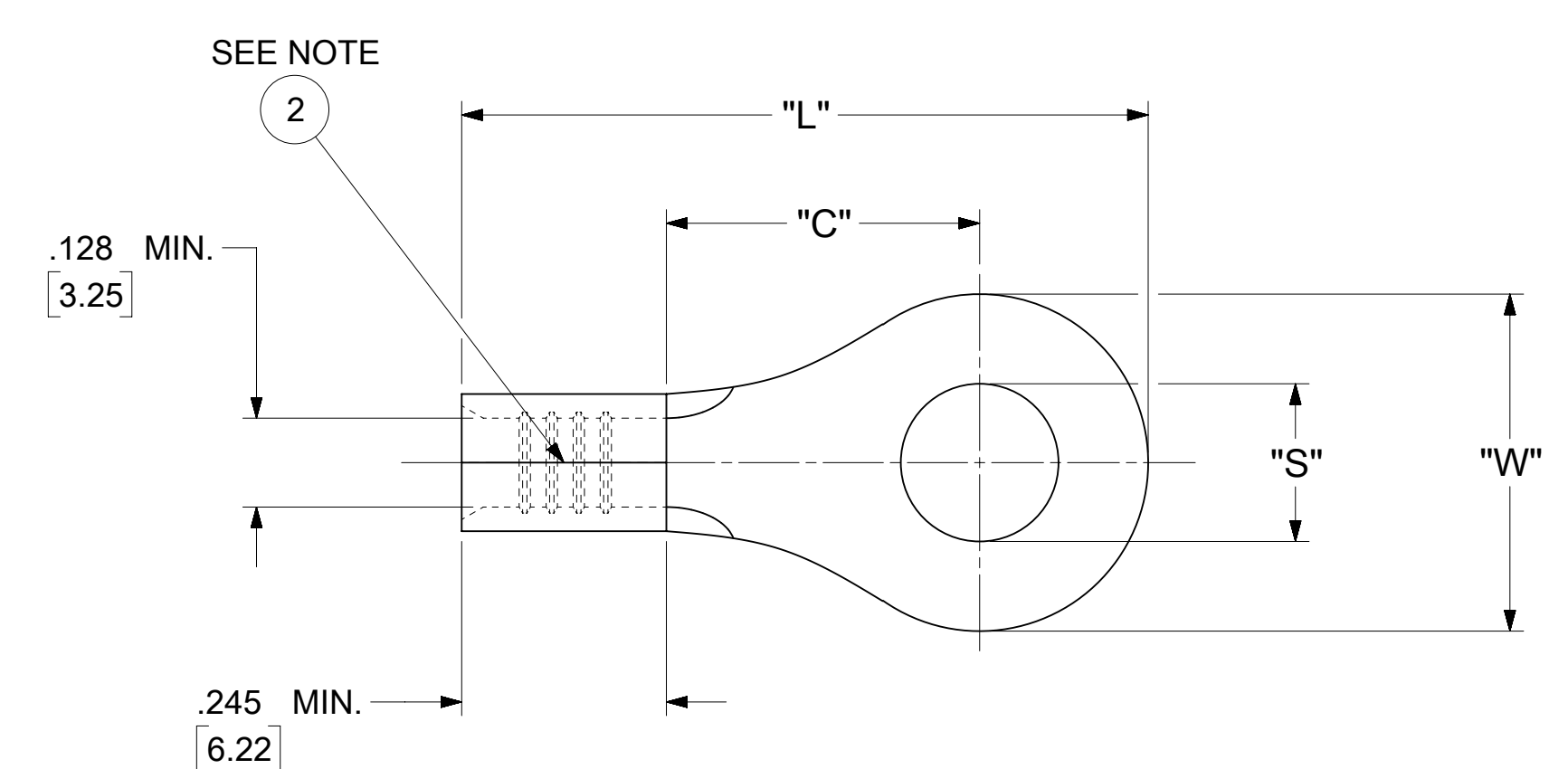


LOOSE PIECE		TAPE MOUNTED		SPECIFICATIONS					
MATERIAL NUMBER	ENGINEERING NUMBER	MATERIAL NUMBER	ENGINEERING NUMBER	STUD SIZE	"S" ±.005 [0.13]	"W" ±.010 [0.25]	"C" MIN.	"L" MAX.	"H"
192030156	C-T-328-08	192030098	C-T-328-08T	8	.173 [4.39]	.375 [9.53]	.303 [7.70]	.785 [19.94]	1.234 [31.34]
192030099	C-T-328-10	192030100	C-T-328-10T	10	.198 [5.03]				
192030182	C-T-330-14	192030101	C-T-330-14T	14	.265 [6.73]	.530 [13.46]	.393 [9.98]	.952 [24.18]	1.234 [31.34]
192030158	C-T-340-38	---	---	38	.390 [9.91]	.592 [15.04]	.468 [11.89]	1.056 [26.82]	---



PARTS ON TAPE

NOTES:

- MATERIAL: COPPER (STOCK THICKNESS .040±.001 [1.02])
PLATING: WATTS BATH NICKLE (.0002 MIN)
- BRAZED SEAM
- WIRE SIZE: 12 - 10 AWG
4.0 - 6.0 MM²
- MAX. OPERATING TEMP : 650 °F
343 °C
- "UL" LISTING #E32244
"CSA" LISTING #18689
- ALL DIMENSIONS IN INCHES/[MM].
- PARTS ARE ROHS COMPLIANT.
- DIMS. SHOWN ARE FOR REFERENCE ONLY.

SYMBOLS	THIS DRAWING CONTAINS INFORMATION THAT IS PROPRIETARY TO MOLEX ELECTRONIC TECHNOLOGIES, LLC AND SHOULD NOT BE USED WITHOUT WRITTEN PERMISSION									
	DIMENSION UNITS		SCALE		CURRENT REV DESC: MIGRATION TO ECTR/NX					
	INCH/MM		NTS		EC NO: 621658 DRWN: ABENJAMINLW 2019/07/26 CHK'D: GROJAS01 2019/07/31 APPR: JMACNEIL 2019/08/05 INITIAL REVISION: DRWN: JJ 1984/11/28 APPR: JMACNEIL 2019/08/05					
	GENERAL TOLERANCES (UNLESS SPECIFIED)									
▽ = 0	4 PLACES	±	---	±	---	molex RING TONGUE TEMP-TERMINAL 650 °F MAX VERSAKRIMP PRODUCT CUSTOMER DRAWING DOCUMENT NUMBER: 192030156 DOC TYPE: PSD DOC PART: 000 REVISION: A MATERIAL NUMBER: SEE TABLE CUSTOMER: GENERAL MARKET SHEET NUMBER: 1 OF 1				
▽ = 0	3 PLACES	±	---	±	.005					
▽ = 0	2 PLACES	±	0.13	±	.01					
▽ = 0	1 PLACE	±	0.25	±	---					
☒ = 0	0 PLACES	±	---	±	---					
■ = 0	ANGULAR TOL ± 0.5 °		THIRD ANGLE PROJECTION		DRAWING		SERIES			
▽ = 0	DRAFT WHERE APPLICABLE MUST REMAIN WITHIN DIMENSIONS		C-SIZE		19203					