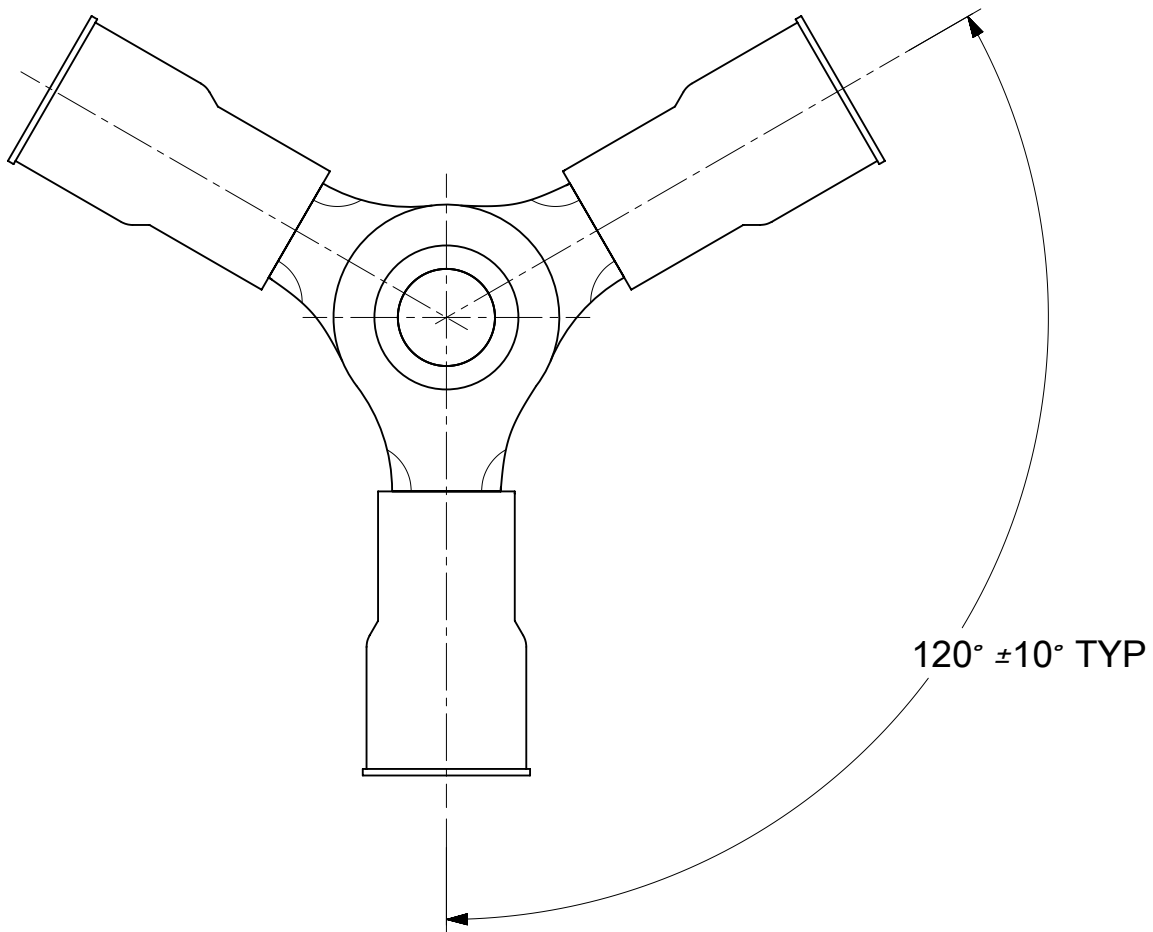


6 5 4 3 2 1

| ASSEMBLY NUMBER | |
|-----------------|--------------------|
| MATERIAL NUMBER | ENGINEERING NUMBER |
| 192040002 | A-1YC |
| 192040004 | A-2YCX |
| 192040005 | A-3YC |
| 192040009 | A-5YC |
| 192040010 | A-8YC |
| 192040012 | B-1YC |
| 192040014 | B-2YCX |
| C1----- | ----- |
| 192040018 | B-5YC |
| 192040022 | B-8YC |
| 192040024 | C-1YC |
| 192040026 | C-2YCX |
| C1----- | ----- |
| 192040030 | C-5YC |
| C1----- | ----- |
| 191640011 | SA-2YCX |
| 191640042 | SB-2YCX |
| 191640074 | SC-2YCX |
| C1 192040008 | A-5XC |



D C B A

| | | | | | | | | | | | | | | | | | | | | | | | | | | |
|------------------------------------------------------------------------------------------------------------------------------------------------------------------------------------------------------------------------------------------------------------------------------------------------------------------------------------------------------------------------------------------------------------------------------------------------------------------------------------------------------------------------------------------------------------------------|----------|----------------------------------------|-------------------|-----------------|------------------------------|----------------------------|------------------------|---|---------|----------|--------|--------|---------|--------|---|----------|---|---|--------------------|--|--|--------------------------------------------------------------------------------------------------------------------------------------------------------------------------------------------------------------------------------------------------------------------------------------|--|--|--|--|
| SYMBOLS DIMENSION UNITS: NTS SCALE: 1:1 GENERAL TOLERANCES (UNLESS SPECIFIED) <table border="1"> <tr> <td></td> <td>MM</td> <td>INCH</td> </tr> <tr> <td>4 PLACES</td> <td>±</td> <td>±</td> </tr> <tr> <td>3 PLACES</td> <td>±</td> <td>± 0.005</td> </tr> <tr> <td>2 PLACES</td> <td>± 0.13</td> <td>± 0.01</td> </tr> <tr> <td>1 PLACE</td> <td>± 0.25</td> <td>±</td> </tr> <tr> <td>0 PLACES</td> <td>±</td> <td>±</td> </tr> <tr> <td colspan="3">ANGULAR TOL ± 0.5°</td> </tr> </table> DRAFT WHERE APPLICABLE MUST REMAIN WITHIN DIMENSIONS | | MM | INCH | 4 PLACES | ± | ± | 3 PLACES | ± | ± 0.005 | 2 PLACES | ± 0.13 | ± 0.01 | 1 PLACE | ± 0.25 | ± | 0 PLACES | ± | ± | ANGULAR TOL ± 0.5° | | | THIS DRAWING CONTAINS INFORMATION THAT IS PROPRIETARY TO MOLEX ELECTRONIC TECHNOLOGIES, LLC AND SHOULD NOT BE USED WITHOUT WRITTEN PERMISSION CURRENT REV DESC: RMV OBSO PN: 192040016 (B-3YC), 192040028 (C-3YC), 192040031 (C-8YC). ADD MISSING P/N: 192040008 (A-5XC) | | | | |
| | | MM | INCH | | | | | | | | | | | | | | | | | | | | | | | |
| | 4 PLACES | ± | ± | | | | | | | | | | | | | | | | | | | | | | | |
| | 3 PLACES | ± | ± 0.005 | | | | | | | | | | | | | | | | | | | | | | | |
| 2 PLACES | ± 0.13 | ± 0.01 | | | | | | | | | | | | | | | | | | | | | | | | |
| 1 PLACE | ± 0.25 | ± | | | | | | | | | | | | | | | | | | | | | | | | |
| 0 PLACES | ± | ± | | | | | | | | | | | | | | | | | | | | | | | | |
| ANGULAR TOL ± 0.5° | | | | | | | | | | | | | | | | | | | | | | | | | | |
| EC NO: 630252 DRWN: DMYRICK 2020/01/08 CHK'D: JMACNEIL 2020/01/10 APPR: JMACNEIL 2020/01/10 | | 3-WAY CONNECTOR ASSEMBLY | | | | | | | | | | | | | | | | | | | | | | | | |
| INITIAL REVISION: DRWN: BENDERLE 2002/11/14 APPR: RDEROSS 2003/05/16 | | PRODUCT CUSTOMER DRAWING | | | | | | | | | | | | | | | | | | | | | | | | |
| DIMENSION UNITS: NTS SCALE: 1:1 GENERAL TOLERANCES (UNLESS SPECIFIED) | | DOCUMENT NUMBER SD-19204-001 | DOC TYPE PSD | DOC PART 001 | REVISION C1 | | | | | | | | | | | | | | | | | | | | | |
| DRAFT WHERE APPLICABLE MUST REMAIN WITHIN DIMENSIONS | | THIRD ANGLE PROJECTION | DRAWING A-SIZE | SERIES 19204 | MATERIAL NUMBER SEE CHART | CUSTOMER GENERAL MARKET | SHEET NUMBER 1 OF 1 | | | | | | | | | | | | | | | | | | | |

| | | | | |
|-----------------|----|--------------|------------|----------|
| DOCUMENT STATUS | P1 | RELEASE DATE | 2020/01/10 | 19:08:27 |
|-----------------|----|--------------|------------|----------|

6 5 4 3 2 1

FORMATT: Eng\lega-master-ib-prod-A
 REVISION: D
 DATE: 2018/01/18