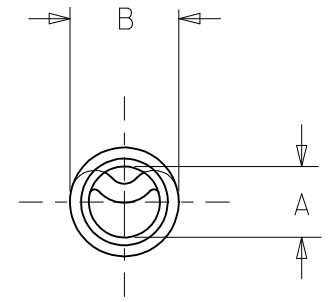
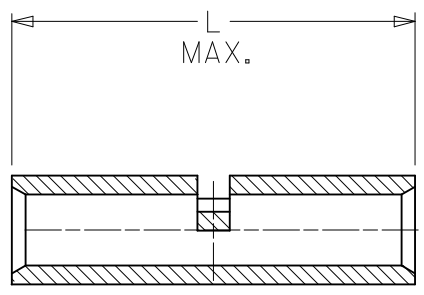
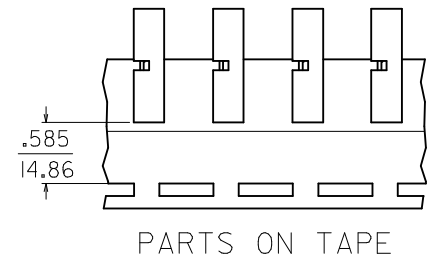


10	9	8	7	6	5	4	3	2	1
MATERIAL NUMBER	ENG. NUMBER	"L" MAX	"A" MIN.	"B" MAX	PACKAGING				
192150018	BS-331	.675 (17.10)	.091 (2.31)	.160 (4.06)	LOOSE PIECE				
192150022	BS-342-MX	.605 (15.37)	.088 (2.24)	.160 (4.06)					
192150115	BS-331T	.675 (17.10)	.091 (2.31)	.160 (4.06)	TAPE MOUNTED				
192150250	BS-331US	.675 (17.10)	.091 (2.31)	.160 (4.06)	LOOSE PIECE				
192150255	BS-331UST	.675 (17.10)	.091 (2.31)	.160 (4.06)	TAPE MOUNTED				



SALES DRAWING

NOTES:
 1. MATERIAL: COPPER.
 2. PLATING: ELECTRO-TIN.
 3. ALL DIMENSIONS IN INCHES/(MM).

OBSO P/N 192150020 & -21 EC NO: ETC2006-0022 DRWN:DMYRICK 2005/08/15 CHKD:RDEROSS 2005/08/15 APPR:RDEROSS 2005/08/15	DESCRIPTION REV	QUALITY SYMBOLS	GENERAL TOLERANCES (UNLESS SPECIFIED)	DIMENSION STYLE	SCALE	DESIGN UNITS	THIRD ANGLE PROJECTION																		
		$\nabla=0$ $\nabla=0$	<table border="1"> <thead> <tr> <th></th> <th>mm</th> <th>INCH</th> </tr> </thead> <tbody> <tr> <td>4 PLACES</td> <td>±---</td> <td>±---</td> </tr> <tr> <td>3 PLACES</td> <td>±---</td> <td>±---</td> </tr> <tr> <td>2 PLACES</td> <td>±---</td> <td>±---</td> </tr> <tr> <td>1 PLACE</td> <td>±---</td> <td>±---</td> </tr> <tr> <td colspan="3">ANGULAR ±---°</td> </tr> </tbody> </table>		mm	INCH	4 PLACES	±---	±---	3 PLACES	±---	±---	2 PLACES	±---	±---	1 PLACE	±---	±---	ANGULAR ±---°			IN/MM	INCH	<input checked="" type="checkbox"/> THIRD ANGLE PROJECTION	
			mm	INCH																					
		4 PLACES	±---	±---																					
3 PLACES	±---	±---																							
2 PLACES	±---	±---																							
1 PLACE	±---	±---																							
ANGULAR ±---°																									
	DRAWN BY: JLOMASTRO CHECKED BY: RDEROSS APPROVED BY: RDEROSS DATE: 05/01/07	DRAWN BY: JLOMASTRO CHECKED BY: RDEROSS APPROVED BY: RDEROSS DATE: 05/01/07	TITLE: BUTT CONNECTOR SEAMLESS 16-14 AWG WIRE SIZE	MATERIAL NO. SEE CHART	DOCUMENT NO. SD-19215-002	SHEET NO. 1 OF 1																			
	DRAFT WHERE APPLICABLE MUST REMAIN WITHIN DIMENSIONS	THIS DRAWING CONTAINS INFORMATION THAT IS PROPRIETARY TO MOLEX INCORPORATED AND SHOULD NOT BE USED WITHOUT WRITTEN PERMISSION																							