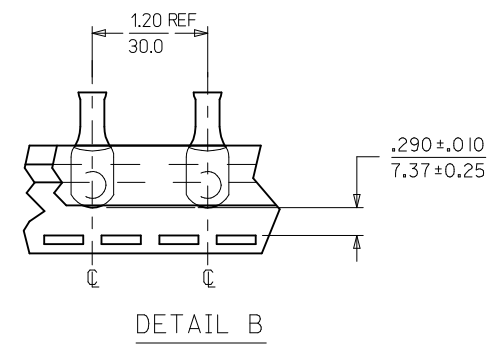
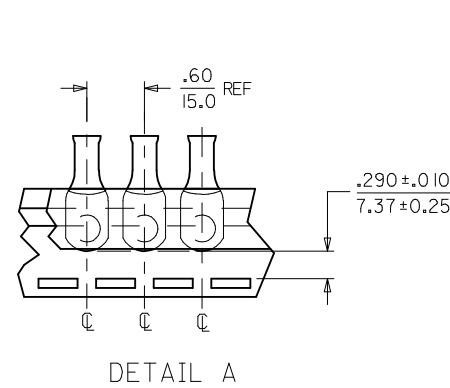
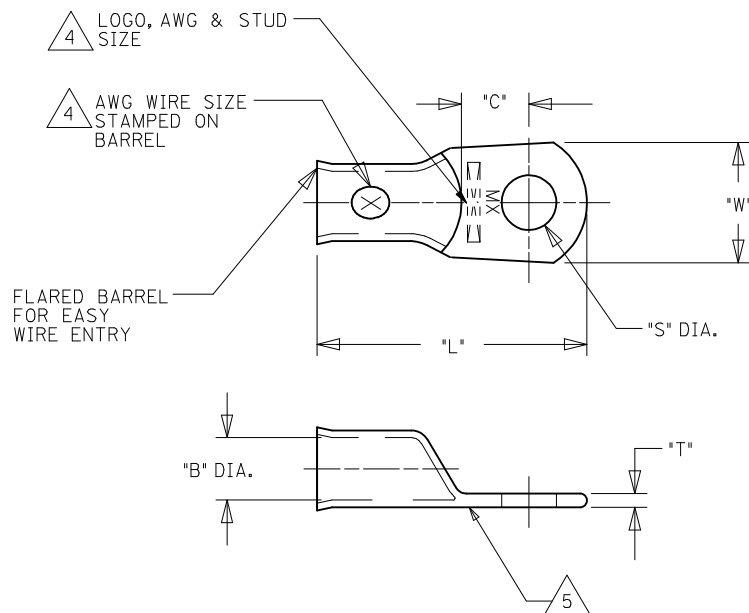


| | 13 | 12 | 11 | 10 | 9 | 8 | 7 | 6 | 5 | 4 | 3 | 2 | 1 | | | | |
|---|--------------------------|----------------------|---------------------------|---------------------------|------------------------|---------------------------|-------------------------|-------------------------|------------|-----------|-------------------------|------------|-------------|------------|----------------|-----------|-----------|
| | UNPLATED MATERIAL NUMBER | UNPLATED ENG. NUMBER | UNPLATED MAT. NO. ON TAPE | UNPLATED ENG. NO. ON TAPE | PLATED MATERIAL NUMBER | PLATED ENGINEERING NUMBER | PLATED MAT. NO. ON TAPE | PLATED ENG. NO ON TAPE | SEE DETAIL | STUD SIZE | WIRE RANGE | "S" | "L" | "W" | "C" | "B" | "T" |
| J | 192210408 | BCL-810 | 190820012 | BCL-810T | 192210223 | BCL-810-PL | 190820011 | BCL-810-PLT | A | 10/4.8mm | 8 AWG/10mm ² | .214/5.45 | 1.187/30.15 | .438/11.13 | .376/9.55 | .185/4.70 | .070/1.78 |
| | 192210409 | BCL-814 | 190820014 | BCL-814T | 192210224 | BCL-814-PL | 190820013 | BCL-814-PLT | A | 1/4"/M6 | 8 AWG/10mm ² | .278/7.06 | 1.187/30.15 | .438/11.13 | .376/9.55 | .185/4.70 | .070/1.78 |
| | 192210562 | BCL-814-WP | --- | --- | 192210563 | BCL-814-WP-PL | --- | --- | --- | 1/4"/M6 | 8 AWG/10mm ² | .278/7.06 | 1.313/33.35 | .594/15.09 | .422/10.72 (2) | .185/4.70 | .070/1.78 |
| | 192210411 | BCL-8516 | 190820017 | BCL-8516T | 192210225 | BCL-8516-PL | --- | --- | A | 5/16"/M8 | 8 AWG/10mm ² | .340/8.63 | 1.187/30.15 | .438/11.13 | .376/9.55 | .185/4.70 | .070/1.78 |
| | 192210482 | BCL-8516-WP | --- | --- | 192210483 | BCL-8516-WP-PL | 190820016 | BCL-8516-PLT | B | 5/16"/M8 | 8 AWG/10mm ² | .340/8.63 | 1.313/33.35 | .594/15.09 | .422/10.72 | .185/4.70 | .070/1.78 |
| | 192210410 | BCL-838-WP | 190820015 | BCL-838-WPT | 192210226 | BCL-838-WP-PL | 192210566 | BCL-838-WP-PLT | B | 3/8"/M9 | 8 AWG/10mm ² | .400/10.16 | 1.313/33.35 | .594/15.09 | .422/10.72 | .185/4.70 | .070/1.78 |
| I | 192210481 | BCL-838-XWP | --- | --- | 192210484 | BCL-838-XWP-PL | --- | --- | --- | 3/8"/M9 | 8 AWG/10mm ² | .400/10.16 | 1.469/37.31 | .766/19.46 | .394/10.01 | .185/4.70 | .070/1.78 |
| | 192210415 | BCL-812-XWP | --- | --- | 192210414 | BCL-812-XWP-PL | --- | --- | --- | 1/2"/M12 | 8 AWG/10mm ² | .520/13.21 | 1.469/37.31 | .766/19.46 | .394/10.01 | .185/4.70 | .070/1.78 |
| | 192210425 | BCL-610 | --- | --- | 192210424 | BCL-610-PL | 190820003 | BCL-610-PLT | B | 10/4.8mm | 6 AWG/16mm ² | .214/5.45 | 1.281/32.54 | .438/11.13 | .381/9.68 (2) | .232/5.89 | .075/1.90 |
| | 192210406 | BCL-614-WP | 190820006 | BCL-614T | 192210227 | BCL-614-WP-PL | 190820005 | BCL-614-PLT | B | 1/4"/M6 | 6 AWG/16mm ² | .278/7.06 | 1.406/35.72 | .594/15.09 | .427/10.85 (2) | .232/5.89 | .080/2.03 |
| | 192210494 | BCL-614 | --- | --- | 192210495 | BCL-614-PL | 192210498 | BCL-614-PLT | B | 1/4"/M6 | 6 AWG/16mm ² | .278/7.06 | 1.281/32.54 | .438/11.13 | .381/9.68 (2) | .232/5.89 | .075/1.90 |
| | 192210407 | BCL-6516-WP | --- | --- | 192210228 | BCL-6516-WP-PL | 190820009 | BCL-6516-PLT | B | 5/16"/M8 | 6 AWG/16mm ² | .340/8.63 | 1.406/35.72 | .594/15.09 | .427/10.85 (2) | .232/5.89 | .080/2.03 |
| | 192210493 | BCL-6516 | 190820010 | BCL-6516T | 192210492 | BCL-6516-PL | 192210499 | BCL-6516-PLT | B | 5/16"/M8 | 6 AWG/16mm ² | .340/8.63 | 1.281/32.54 | .438/11.13 | .381/9.68 (2) | .232/5.89 | .075/1.90 |
| H | 192210384 | BCL-638-WP | 190820008 | BCL-638T | 192210229 | BCL-638-WP-PL | 190820007 | BCL-638-PLT | B | 3/8"/M9 | 6 AWG/16mm ² | .400/10.16 | 1.406/35.72 | .594/15.09 | .427/10.85 (2) | .232/5.89 | .080/2.03 |
| | 192210569 | BCL-638-XWP | --- | --- | 192210568 | BCL-638-XWP-PL | --- | --- | --- | 3/8"/M9 | 6 AWG/16mm ² | .400/10.16 | 1.563/39.70 | .766/19.46 | .472/11.99 (2) | .232/5.89 | .080/2.03 |
| | 192210417 | BCL-612-XWP | --- | --- | 192210416 | BCL-612-XWP-PL | 190820004 | BCL-612-PLT | B | 1/2"/M12 | 6 AWG/16mm ² | .520/13.21 | 1.563/39.70 | .766/19.46 | .472/11.99 (2) | .232/5.89 | .080/2.03 |



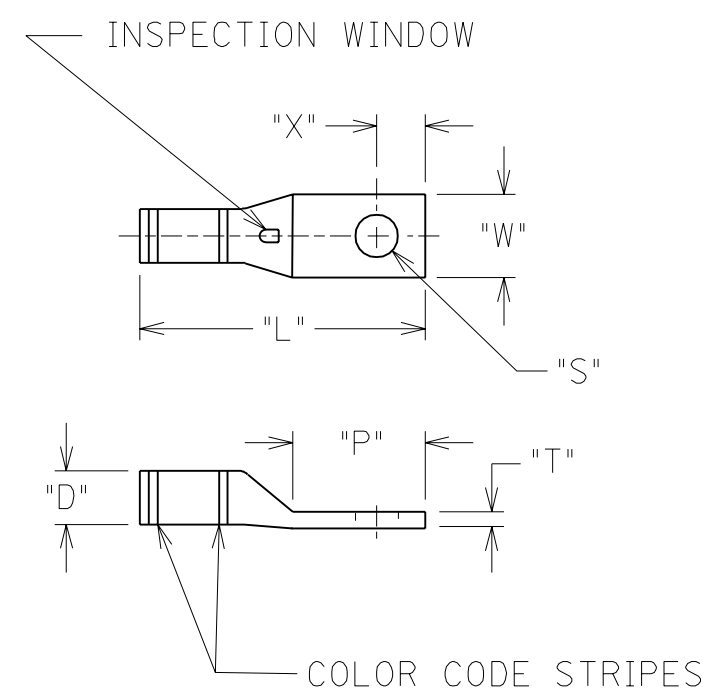
SALES DRAWING

- NOTES:
- FOR INSPECTION SIGHT HOLE, PLEASE CONSULT FACTORY.
 - OTHER STUD SIZES MAY BE AVAILABLE, PLEASE CONSULT FACTORY.
 - MATERIAL: COPPER
PLATING: TIN
 - MARKINGS CAN BE AT EITHER LOCATION SHOWN.
 - IF TONGUE IS TO BE BENT AT ANY ANGLE, IT MUST BE BENT AROUND A RADIUS ONE HALF THE TONGUE THICKNESS.
 - ALL PARTS ARE ROHS COMPLIANT.

| | | | | | | | | | | |
|--|--------------------|-------------------------------|---------------------------------------|-------|--------------------------|------------------|---|----------------------|------------------------|--|
| CORRECTED 'C' DIMS EC NO: IFC2014-0913 DRAWING: JASO1 2013/11/18 CHKD: JACNEIL 2013/11/18 APPR: JACNEIL 2013/12/01 | DESCRIPTION REV | QUALITY SYMBOLS ▽=0 ▽=0 | GENERAL TOLERANCES (UNLESS SPECIFIED) | | DIMENSION STYLE IN/MM | | SCALE --- | DESIGN UNITS INCH | THIRD ANGLE PROJECTION | |
| | | | 4 PLACES ± --- | ± --- | DRAWN BY DMYRICK | DATE 2005/5/3 | TITLE EYELET STYLE COPPER TERMINALS 8 AND 6 AWG LUGS | | | |
| L2 | REV | REV | 2 PLACES ± --- | ± --- | APPROVED BY RDEROSS | DATE 2005/5/3 | MATERIAL NO. SEE CHART | | | |
| | | | 1 PLACE ± --- | ± --- | APPROVED BY RDEROSS | DATE 2005/5/3 | DOCUMENT NO. SD-19221-001 | | | |
| DRAFT WHERE APPLICABLE MUST REMAIN WITHIN DIMENSIONS | | | ANGULAR ± ---° | | SIZE C | | SHEET NO. 1 OF 1 | | | |
| THIS DRAWING CONTAINS INFORMATION THAT IS PROPRIETARY TO MOLEX INCORPORATED AND SHOULD NOT BE USED WITHOUT WRITTEN PERMISSION | | | | | | | | | | |

| | 10 | 9 | 8 | 7 | 6 | 5 | 4 | 3 | 2 | 1 | | |
|---|-----------------|--------------------|-----------|------------|-----------|------|-------|-------|-------|------|-------|------|
| | MATERIAL NUMBER | ENGINEERING NUMBER | AWG RANGE | COLOR CODE | STUD SIZE | "S" | "L" | "W" | "P" | "X" | "D" | "T" |
| F | 192210212 | HDC-810-CC | 8 | RED | 10 | .214 | 1.125 | .343 | .531 | .250 | .250 | .078 |
| F | 192210215 | HDC-610-CC | 6 | BLUE | 10 | .214 | 1.187 | .406 | .562 | .250 | .281 | .078 |
| F | 192210213 | HDC-614-CC | 6 | BLUE | 1/4 | .278 | 1.187 | .406 | .562 | .250 | .281 | .078 |
| F | 192210216 | HDC-410-CC | 4 | GRAY | 10 | .214 | 1.343 | .500 | .640 | .296 | .359 | .109 |
| F | 192210214 | HDC-414-CC | 4 | GRAY | 1/4 | .278 | 1.343 | .500 | .640 | .296 | .359 | .109 |
| F | 192210217 | HDC-4516-CC | 4 | GRAY | 5/16 | .340 | 1.500 | .500 | .781 | .296 | .359 | .109 |
| F | 192210218 | HDC-214-CC | 2 | BROWN | 1/4 | .278 | 1.343 | .609 | .671 | .296 | .437 | .125 |
| F | 192210219 | HDC-2516-CC | 2 | BROWN | 5/16 | .340 | 1.343 | .609 | .671 | .296 | .437 | .125 |
| E | 192210220 | HDC-238-CC | 2 | BROWN | 3/8 | .400 | 1.750 | .609 | .968 | .390 | .437 | .125 |
| E | 192210221 | HDC-114-CC | 1 | GREEN | 1/4 | .278 | 1.640 | .687 | .750 | .343 | .484 | .140 |
| E | 192210271 | HDC-1516-CC | 1 | GREEN | 5/16 | .340 | 1.640 | .687 | .750 | .343 | .484 | .140 |
| E | 192210272 | HDC-138-CC | 1 | GREEN | 3/8 | .400 | 1.890 | .687 | 1.000 | .453 | .484 | .140 |
| E | 192210273 | HDC-112-CC | 1 | GREEN | 1/2 | .520 | 1.890 | .687 | 1.000 | .453 | .484 | .140 |
| D | 192210274 | HDC-1014-CC | 1/0 | PINK | 1/4 | .278 | 1.796 | .765 | .781 | .375 | .531 | .140 |
| D | 192210275 | HDC-10516-CC | 1/0 | PINK | 5/16 | .340 | 1.796 | .765 | .781 | .375 | .531 | .140 |
| D | 192210276 | HDC-1038-CC | 1/0 | PINK | 3/8 | .400 | 2.046 | .765 | 1.031 | .453 | .531 | .140 |
| D | 192210277 | HDC-1012-CC | 1/0 | PINK | 1/2 | .520 | 2.046 | .765 | 1.031 | .453 | .531 | .140 |
| D | 192210278 | HDC-2014-CC | 2/0 | BLACK | 1/4 | .278 | 1.953 | .828 | .828 | .375 | .578 | .140 |
| D | 192210105 | HDC-20516-CC | 2/0 | BLACK | 5/16 | .340 | 1.953 | .828 | .828 | .375 | .578 | .140 |
| D | 192210106 | HDC-2038-CC | 2/0 | BLACK | 3/8 | .400 | 2.203 | .828 | 1.078 | .453 | .578 | .140 |
| D | 192210107 | HDC-2012-CC | 2/0 | BLACK | 1/2 | .520 | 2.203 | .828 | 1.078 | .453 | .578 | .140 |
| D | 192210108 | HDC-3014-CC | 3/0 | ORANGE | 1/4 | .278 | 2.093 | .906 | .843 | .375 | .625 | .140 |
| D | 192210109 | HDC-30516-CC | 3/0 | ORANGE | 5/16 | .340 | 2.093 | .906 | .843 | .375 | .625 | .140 |
| D | 192210110 | HDC-3038-CC | 3/0 | ORANGE | 3/8 | .400 | 2.343 | .906 | 1.093 | .453 | .625 | .140 |
| C | 192210355 | HDC-3012-CC | 3/0 | ORANGE | 1/2 | .520 | 2.343 | .906 | 1.093 | .453 | .625 | .140 |
| C | 192210356 | HDC-4014-CC | 4/0 | PURPLE | 1/4 | .278 | 2.250 | 1.015 | .875 | .375 | .703 | .156 |
| C | 192210357 | HDC-40516-CC | 4/0 | PURPLE | 5/16 | .340 | 2.250 | 1.015 | .875 | .375 | .705 | .156 |
| C | 192210358 | HDC-4038-CC | 4/0 | PURPLE | 3/8 | .400 | 2.500 | 1.015 | 1.125 | .453 | .703 | .156 |
| C | 192210359 | HDC-4012-CC | 4/0 | PURPLE | 1/2 | .520 | 2.500 | 1.015 | 1.125 | .453 | .703 | .156 |
| B | 192210360 | HDC-25038-CC | 250MCM | YELLOW | 3/8 | .400 | 2.609 | 1.140 | 1.140 | .500 | .781 | .187 |
| B | 192210361 | HDC-25012-CC | 250MCM | YELLOW | 1/2 | .520 | 2.609 | 1.140 | 1.140 | .500 | .781 | .187 |
| B | 192210362 | HDC-30038-CC | 300MCM | WHITE | 3/8 | .400 | 2.734 | 1.218 | 1.140 | .500 | .843 | .187 |
| B | 192210363 | HDC-30012-CC | 300MCM | WHITE | 1/2 | .520 | 2.796 | 1.218 | 1.203 | .546 | .843 | .187 |
| B | 192210364 | HDC-30058-CC | 300MCM | WHITE | 5/8 | .660 | 2.796 | 1.218 | 1.203 | .546 | .843 | .187 |
| B | 192210365 | HDC-35012-CC | 350MCM | RED | 1/2 | .520 | 2.984 | 1.312 | 1.250 | .546 | .906 | .203 |
| B | 192210366 | HDC-35058-CC | 350MCM | RED | 5/8 | .660 | 2.984 | 1.312 | 1.250 | .546 | .906 | .203 |
| B | 192210367 | HDC-40012-CC | 400MCM | BLUE | 1/2 | .520 | 3.093 | 1.578 | 1.281 | .546 | .968 | .218 |
| B | 192210368 | HDC-40058-CC | 400MCM | BLUE | 5/8 | .660 | 3.093 | 1.578 | 1.281 | .546 | .968 | .218 |
| B | 192210369 | HDC-50012-CC | 500MCM | BROWN | 1/2 | .520 | 3.453 | 1.578 | 1.296 | .546 | 1.093 | .250 |
| B | 192210370 | HDC-50058-CC | 500MCM | BROWN | 5/8 | .660 | 3.453 | 1.578 | 1.406 | .546 | 1.093 | .250 |
| A | | | | | | | | | | | | |
| A | | | | | | | | | | | | |
| A | | | | | | | | | | | | |
| A | | | | | | | | | | | | |

NOTES:
1. MATERIAL: COPPER
2. PLATING: TIN
3. OTHER STUD SIZES MAY BE AVAILABLE, PLEASE CONSULT FACTORY.
4. UL, CSA, AND WIRE GAUGE PRINTED ON TERMINAL.
5. ALL DIMENSIONS ARE REFERENCE ONLY.



CUSTOMER DRAWING

| | |
|------|--|
| A | RELEASE CUSTOMER DRAWING 05/11 ETC2000-0227 JH |
| LTR. | REVISIONS |

| DIMENSIONS SHOWN (METRIC) INCH | | REVISE ONLY ON CAD SYSTEM | | | | | | | | | | | | | |
|--|------------------|--|--|--------|---------|-------|-------|---------|-------|-------|---------|-------|-------|----------------------------|--|
| UNLESS OTHERWISE SPECIFIED TOLERANCES: ANGULAR ± 1/2° | | TITLE HEAVY DUTY COMPRESSION SITE HOLE TERMINALS STANDARD BARREL ONE HOLE | | | | | | | | | | | | | |
| <table border="1"> <thead> <tr> <th></th> <th>INCH</th> <th>METRIC</th> </tr> </thead> <tbody> <tr> <td>3 PLACE</td> <td>± ---</td> <td>± ---</td> </tr> <tr> <td>2 PLACE</td> <td>± ---</td> <td>± ---</td> </tr> <tr> <td>1 PLACE</td> <td>± ---</td> <td>± ---</td> </tr> </tbody> </table> | | | INCH | METRIC | 3 PLACE | ± --- | ± --- | 2 PLACE | ± --- | ± --- | 1 PLACE | ± --- | ± --- | SHEET NO. DATE 94/02/14 | |
| | INCH | METRIC | | | | | | | | | | | | | |
| 3 PLACE | ± --- | ± --- | | | | | | | | | | | | | |
| 2 PLACE | ± --- | ± --- | | | | | | | | | | | | | |
| 1 PLACE | ± --- | ± --- | | | | | | | | | | | | | |
| DRAFT WHERE APPLICABLE MUST REMAIN WITHIN DIMENSIONS | | PART NO. DRWG. NO. SEE CHART SD-19221-003 | | | | | | | | | | | | | |
| DRWG. BY JH | CHK'D. BY RWD | FILE NAME 19221003 DGN | THIS DRAWING CONTAINS INFORMATION THAT IS PROPRIETARY TO MOLEX-ETC INC. AND SHOULD NOT BE USED WITHOUT WRITTEN PERMISSION. | | | | | | | | | | | | |
| APP'D. BY RWD | SCALE NO:NE | DIV. B | SIZE B | | | | | | | | | | | | |